



Chipsmall Limited consists of a professional team with an average of over 10 year of expertise in the distribution of electronic components. Based in Hongkong, we have already established firm and mutual-benefit business relationships with customers from,Europe,America and south Asia,supplying obsolete and hard-to-find components to meet their specific needs.

With the principle of “Quality Parts,Customers Priority,Honest Operation,and Considerate Service”,our business mainly focus on the distribution of electronic components. Line cards we deal with include Microchip,ALPS,ROHM,Xilinx,Pulse,ON,Everlight and Freescale. Main products comprise IC,Modules,Potentiometer,IC Socket,Relay,Connector.Our parts cover such applications as commercial,industrial, and automotives areas.

We are looking forward to setting up business relationship with you and hope to provide you with the best service and solution. Let us make a better world for our industry!



Contact us

Tel: +86-755-8981 8866 Fax: +86-755-8427 6832

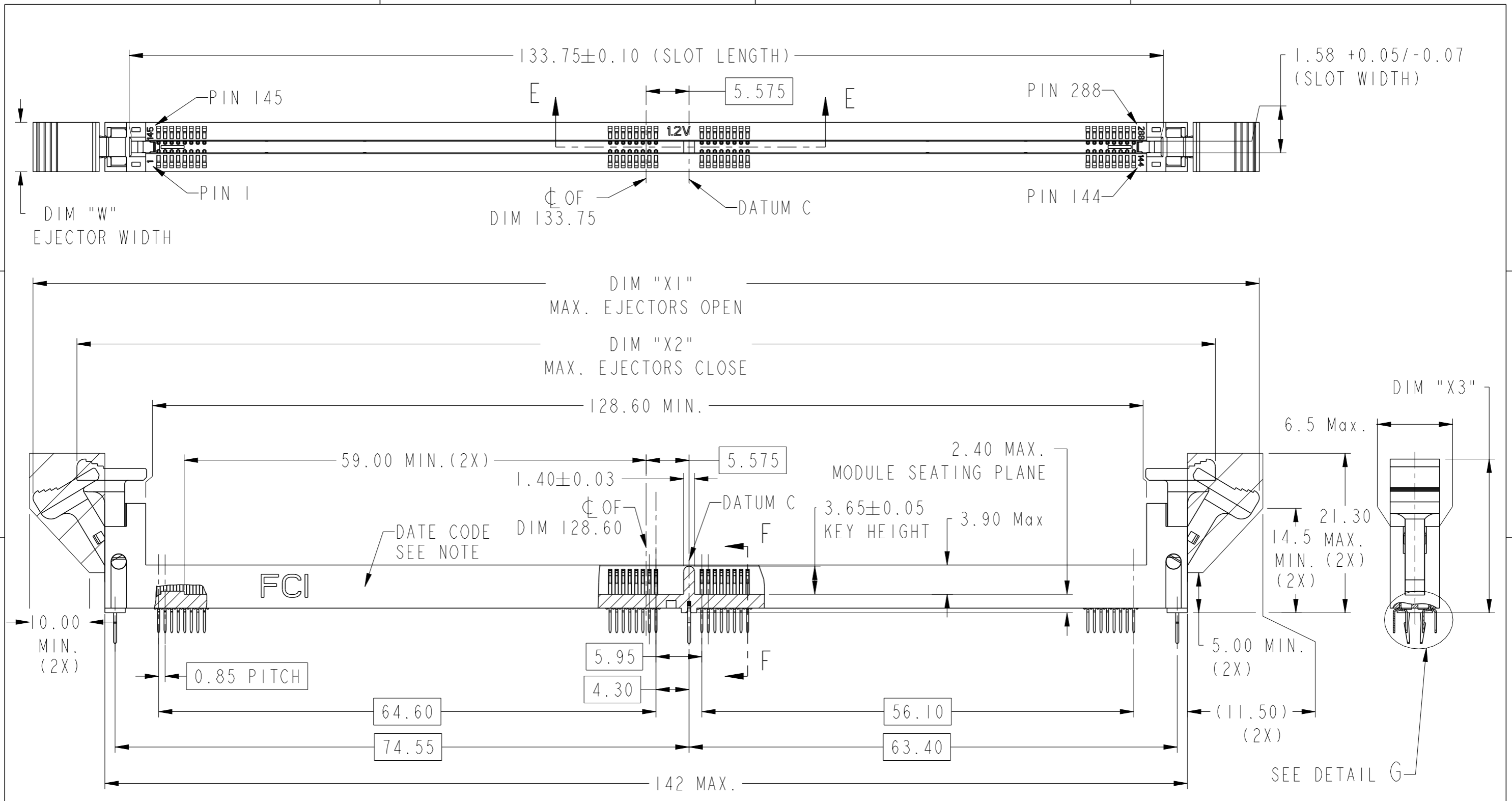
Email & Skype: info@chipsmall.com Web: www.chipsmall.com

Address: A1208, Overseas Decoration Building, #122 Zhenhua RD., Futian, Shenzhen, China



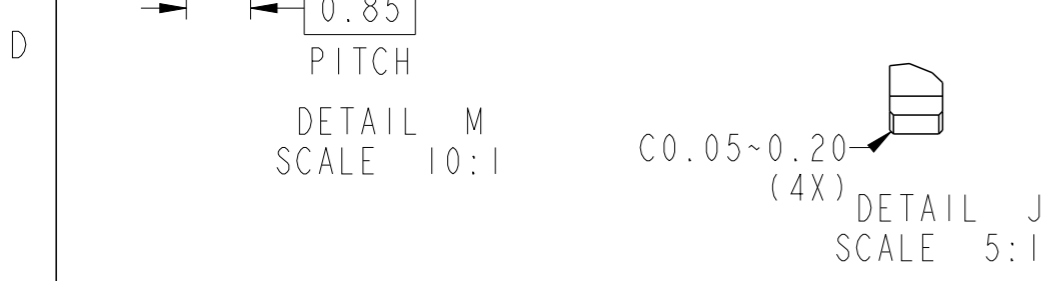
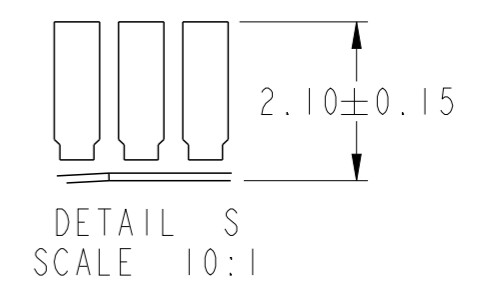
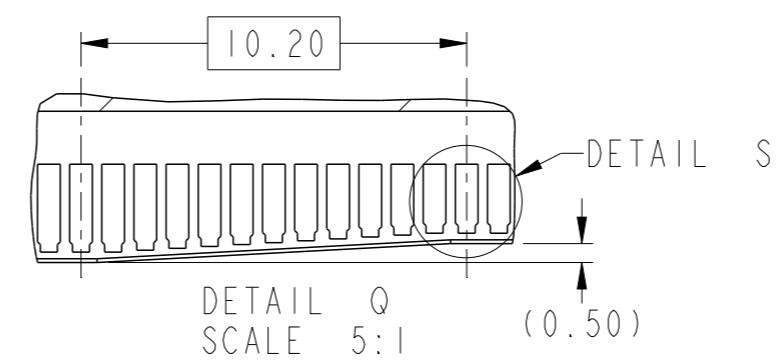
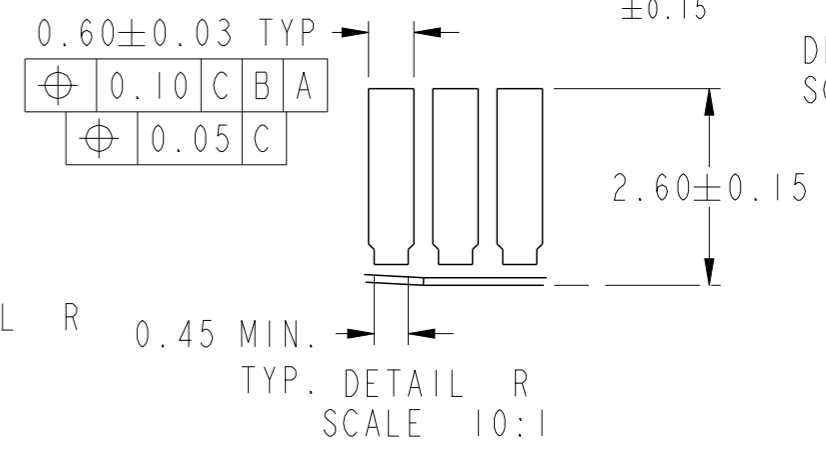
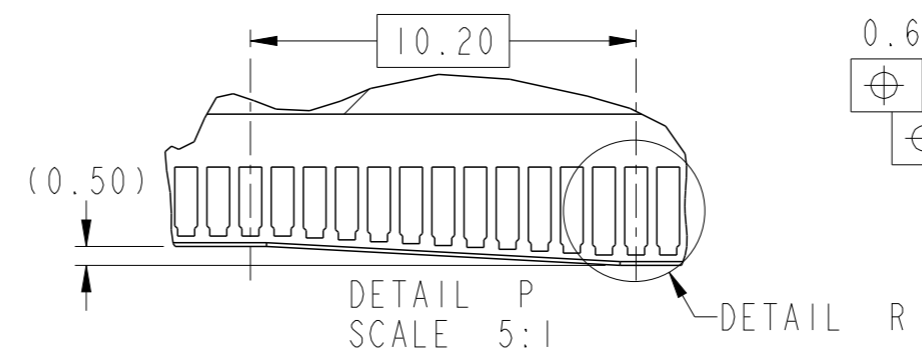
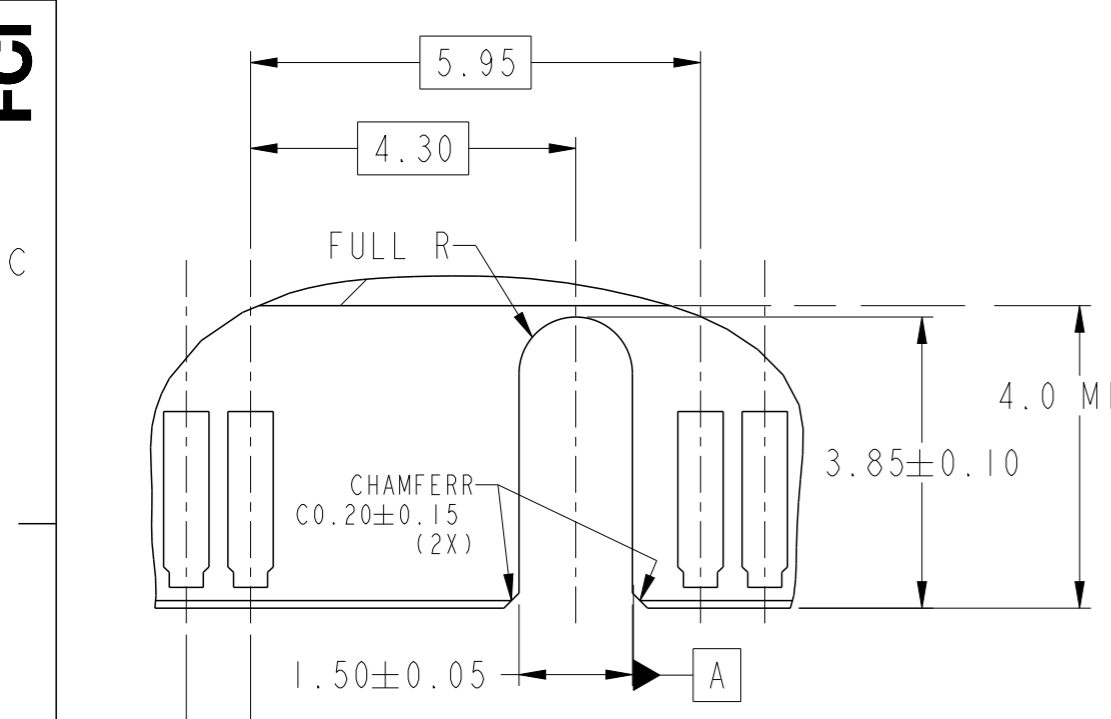
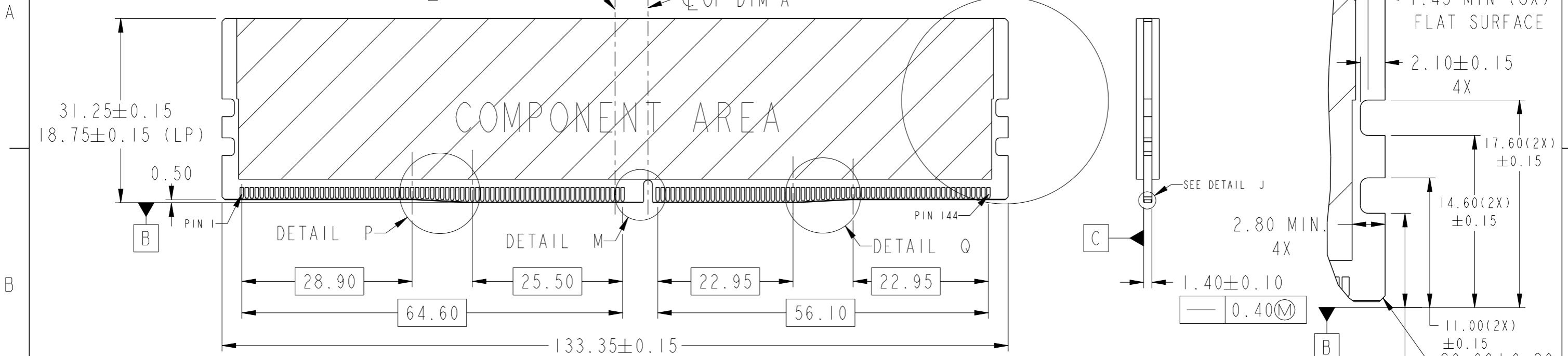
Amphenol
FCi

© 2016 AFCI



| | | | | | | | | | | | |
|---------------------------------------|---------|------------|---------------|---------------------|----|----------------------------|----------------|------------------------|----------|--------------|---|
| spec ref | dr | Nickor Zuo | 2013/05/29 | projection | MM | size | A3 | scale | 7:5 | | |
| tolerance std | eng | Jeny Ren | 2018/05/17 | | | ecn no | ELX-DG-30194-1 | | | | |
| TOLERANCES UNLESS OTHERWISE SPECIFIED | | | | | | product family | - | rel level | Released | | |
| surface | linear | 0.X | ± 0.30 | Amphenol FCI | | DDR4 288Pin DIMM CONNECTOR | | dwg no | 10124632 | rev | L |
| | | 0.XX | ± 0.20 | PTH TERMINATION | | cat. no. - | | Product - Customer Drw | | sheet 1 of 5 | |
| ASME Y14.5 | angular | 0° | $\pm 2^\circ$ | | | | | | | | |

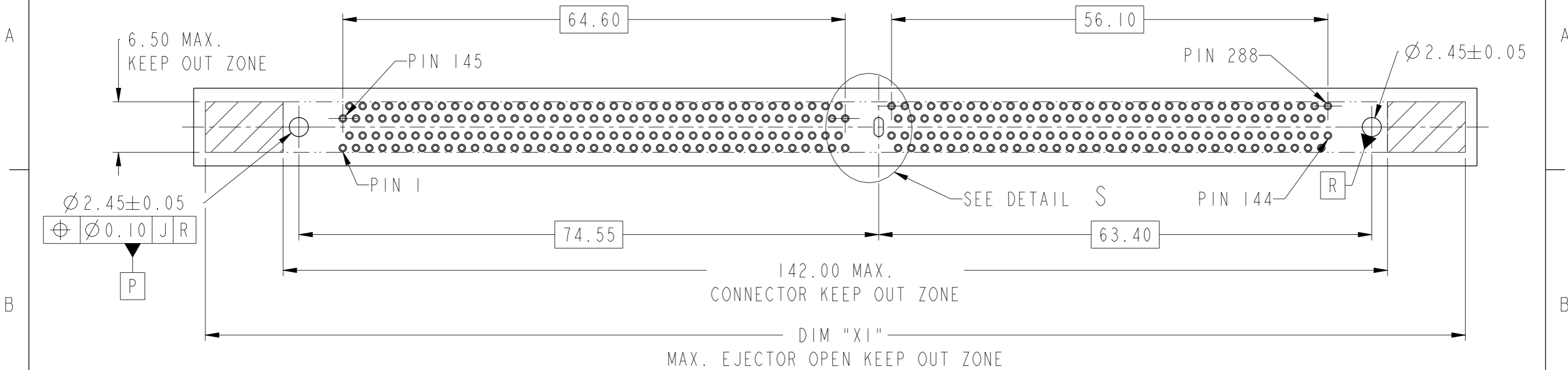
DDR4 MODULE
 MORE INFORMATION REFER TO JEDEC MO-309



| | | | | | | | | | |
|--|------------|---------------------|------------|---|----------------|------------------------|----------------|------------------------------|-----------------|
| spec ref | dr | Nickor Zuo | 2013/05/29 | projection | MM | size | A3 | scale | 3:2 |
| tolerance std | eng | Jeny Ren | 2018/05/17 | | | ecn no | ELX-DG-30194-1 | rel level Released | rev L |
| TOLERANCES UNLESS OTHERWISE SPECIFIED linear 0.X ±0.30 0.XX ±0.20 0.XXX ±0.10 angular 0° ±2° | chr | - | - | | | product family | - | | |
| | ASME Y14.5 | appr | Nickor Zuo | 2018/05/30 | product family | - | rel level | Released | rev |
| surface | linear | Amphenol FCI | | DDR4 288Pin DIMM CONNECTOR PTH TERMINATION | | dwg no | 10124632 | rel level | L |
| ASME Y14.5 | angular | 0° | ±2° | cat. no. | - | Product - Customer Drw | sheet 2 of 5 | | |

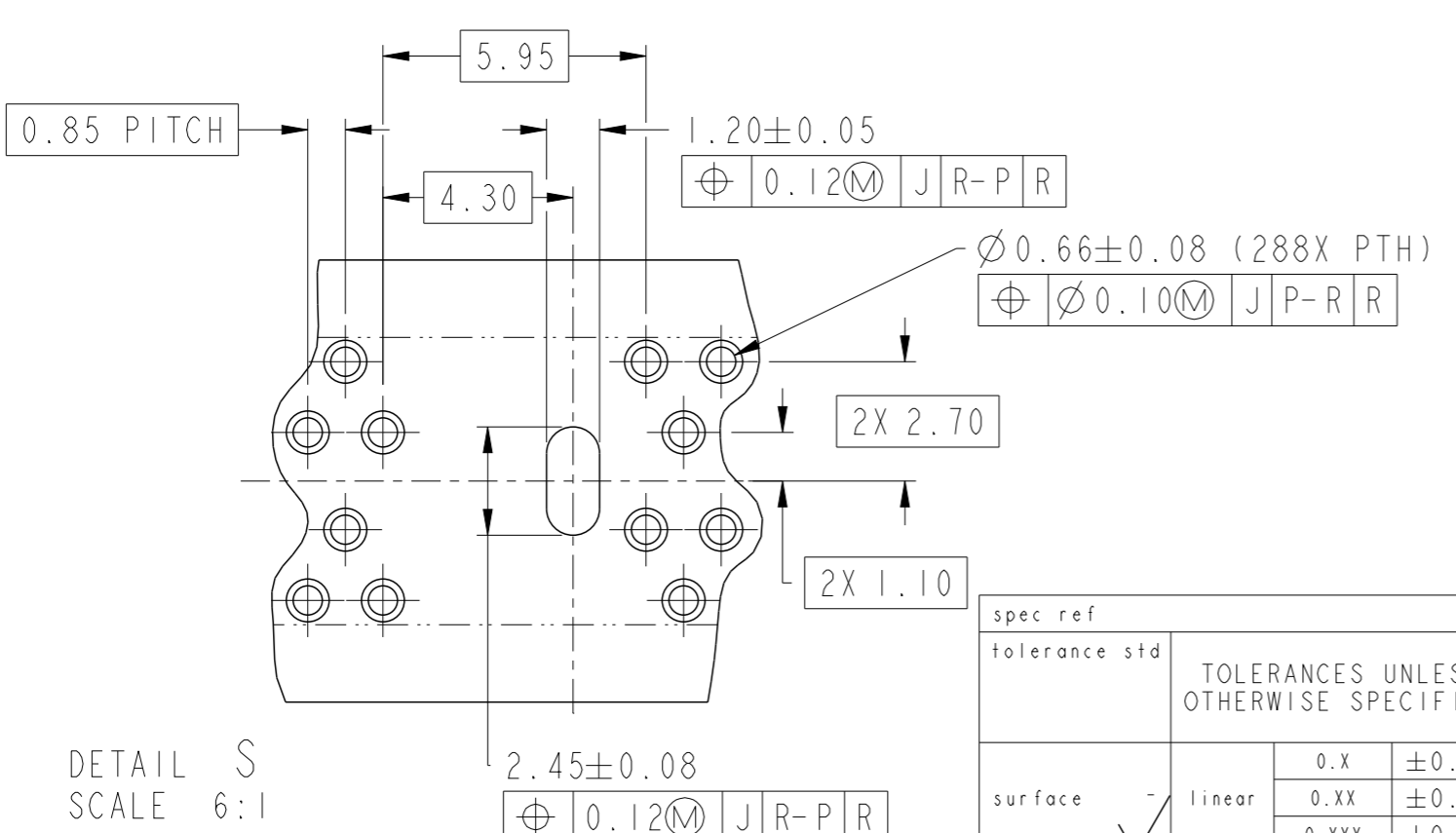
© 2016 AFCI
 Amphenol FCI

RECOMMENDED PCB LAYOUT
 MORE INFORMATION REFER TO JEDEC SO-016



Amphenol
 FCI

© 2016 AFCI



| | | | | | | | | | |
|---------------------------------------|--------|------------|------------|------------|-----|---------------------|--------------------|---|--------------------------------------|
| spec ref | dr | Nickor Zuo | 2013/05/29 | projection | MM | size | A3 | scale | 2:1 |
| tolerance std | eng | Jeny Ren | 2018/05/17 | | | ecn no | ELX-DG-30194-1 | | |
| TOLERANCES UNLESS OTHERWISE SPECIFIED | | chr | - | | | product family | - | rel level | Released |
| surface | linear | ASME Y14.5 | angular | 0° | ±2° | Amphenol FCI | | DDR4 288Pin DIMM CONNECTOR PTH TERMINATION | cat. no. - Product - Customer Drw |
| | | | | | | | dwg no 10124632 | rev L | sheet 3 of 5 |

PRODUCT PART NUMBER

10124632-□□□□□□□□

ADDITIONAL REQUIREMENTS

- 0: RoHS COMPLIANT, SOFT TRAY PACKAGE (56PCS/TRAY)
- 2: RoHS COMPLIANT, HARD TRAY PACKAGE
- 4: RoHS COMPLIANT, SOFT TRAY PACKAGE (40PCS/TRAY)

HOLD DOWNS CONFIGURATIONS

- 0: 3 FORKLOCKS, DIM "Y" = 4.00 ± 0.25
- 1: 3 FORKLOCKS, DIM "Y" = 2.50 ± 0.25
- 2 OR 3: 3 FORKLOCKS, DIM "Y" = 3.78 ± 0.25

DIM "L", TAIL LENGTH

- 0: 2.60 ± 0.25
- 1: 3.20 ± 0.25
- 3: 2.40 ± 0.25
- 4: 2.10 + 0.25 / - 0.15
- 5: 2.95 ± 0.25
- 6: 2.80 ± 0.15

HOUSING COLOR

- 0: NATURAL
- 1: BLACK
- 2: BLUE
- 3: YELLOW

EJECTOR TYPE

TAIL PLATING

LF: 100u" MIN. MATTE TIN
TL: 100u" MIN. TIN LEAD

CONTACT AREA PLATING

| CODE | CONTACT AREA | UNDERPLATING |
|------|----------------|------------------|
| 1 | 15u" MIN. GOLD | 50u" MIN. NICKEL |
| 3 | 30u" MIN. GOLD | |
| 4 | 30u" MIN. GXT | |
| 5 | 15u" MIN. GXT | 90u" MIN. NICKEL |
| 6 | 30u" MIN. GOLD | |
| 7 | 15u" MIN. GOLD | |
| G | GOLD FLASH | |

CONTACTS LUBRICATION

- 0: WITHOUT
- 1: WITH

| CODE | COLOR | DIM "X1" | DIM "X2" | DIM "W" | DIM "X3" | EJECTOR FIGURE |
|------|---------|----------|----------|---------|----------|----------------|
| 0 | NATURAL | 162.00 | 149.00 | (6.42) | (19.95) | |
| 1 | BLACK | | | | | |
| 2 | BLUE | | | | | |
| A | GREEN | 152.00 | 142.00 | (6.42) | (19.35) | |
| 3 | NATURAL | | | | | |
| 4 | BLACK | | | | | |
| 5 | BLUE | 152.00 | 142.00 | (6.42) | (19.35) | |
| 9 | GREEN | | | | | |
| B | NATURAL | | | | | |
| C | BLACK | 152.00 | 142.00 | (6.42) | (19.35) | |
| G | GREEN | | | | | |

| CODE | COLOR | DIM "X1" | DIM "X2" | DIM "W" | DIM "X3" | EJECTOR FIGURE |
|------|---------|----------|----------|---------|----------|----------------|
| R | NATURAL | 156.00 | 145.00 | (6.42) | (19.65) | |
| S | BLACK | | | | | |
| T | GREEN | | | | | |
| V | BLUE | | | | | |
| 6 | NATURAL | 157.00 | 145.00 | (4.00) | (19.65) | |
| 7 | BLACK | | | | | |
| 8 | BLUE | | | | | |
| J | NATURAL | 155.00 | 145.00 | (6.42) | (19.65) | |
| K | BLACK | | | | | |
| M | GREEN | | | | | |
| U | BLUE | | | | | |

| | | | | | | | | | |
|---------------------------------------|---------|------------|------------|---------------------|----------------------------|------------------------|----------------|-----------|--------------|
| spec ref | dr | Nickor Zuo | 2013/05/29 | projection | MM | size | A3 | scale | 4:1 |
| tolerance std | eng | Jeny Ren | 2018/05/17 | | ← → | ecn no | ELX-DG-30194-1 | | |
| TOLERANCES UNLESS OTHERWISE SPECIFIED | | | | | | product family | - | rel level | Released |
| surface | linear | 0.X | ±0.30 | Amphenol FCI | DDR4 288Pin DIMM CONNECTOR | dwg no | 10124632 | rev | L |
| | | 0.XX | ±0.20 | | | | | | |
| 0.XXX | ±0.10 | | | | | | | | |
| ASME Y14.5 | angular | 0° | ±2° | | | | | | |
| cat. no. | | | | | - | Product - Customer Drw | | | sheet 4 of 5 |

PRODUCT PART NUMBER

10124632-□□□□□□□□

ADDITIONAL REQUIREMENTS

- 1: HALOGEN FREE COMPLIANT, SOFT TRAY PACKAGE
- 3: HALOGEN FREE COMPLIANT, HARD TRAY PACKAGE

HOLD DOWNS CONFIGURATIONS

- 0: 3 FORKLOCKS, DIM "Y" = 4.00 ± 0.25
- 1: 3 FORKLOCKS, DIM "Y" = 2.50 ± 0.25
- 2: 3 FORKLOCKS, DIM "Y" = 3.78 ± 0.25

DIM "L", TAIL LENGTH

- 0: 2.60 ± 0.25
- 1: 3.20 ± 0.25
- 3: 2.40 ± 0.25
- 4: 2.10 + 0.25 / - 0.15
- 5: 2.95 ± 0.25
- 6: 2.80 ± 0.15

HOUSING COLOR

- 0: NATURAL
- 1: BLACK
- 2: BLUE
- 3: YELLOW

EJECTOR TYPE

| CODE | COLOR | DIM "X1" | DIM "X2" | DIM "W" | DIM "X3" | EJECTOR FIGURE |
|------|---------|----------|----------|---------|----------|----------------|
| 0 | NATURAL | 162.00 | 149.00 | (6.42) | (19.95) | |
| 1 | BLACK | | | | | |
| 3 | NATURAL | 152.00 | 142.00 | (6.42) | (19.35) | |
| 4 | BLACK | | | | | |
| N | NATURAL | 156.00 | 146.00 | (6.42) | (19.65) | |
| P | BLACK | 156.00 | 146.00 | (6.42) | (19.65) | |

TAIL PLATING

- LF: 100u" MIN. MATTE TIN
- TL: 100u" MIN. TIN LEAD

CONTACT AREA PLATING

| CODE | CONTACT AREA | UNDERPLATING |
|------|----------------|------------------|
| 1 | 15u" MIN. GOLD | 50u" MIN. NICKEL |
| 3 | 30u" MIN. GOLD | |
| 4 | 30u" MIN. GXT | |
| 5 | 15u" MIN. GXT | 90u" MIN. NICKEL |
| 6 | 30u" MIN. GOLD | |
| 7 | 15u" MIN. GOLD | |
| G | GOLD FLASH | |

CONTACTS LUBRICATION

- 0: WITHOUT
- 1: WITH

NOTES:

- MATERIALS:**
HOUSING: HIGH PERFORMANCE RESINS, GLASS FIBER FILLED, UL94 V-0 RATED.
EJECTOR: HIGH PERFORMANCE RESINS, GLASS FIBER FILLED, UL94 V-0 RATED.
TERMINAL: COPPER ALLOY
FORKLOCK: COPPER ALLOY
- DATE CODE "MMDDYYL", MMDDYY IS ASSEMBLY DATE, L IS FCI PRODUCTION LINE.
- SPECIFICATION:**
PRODUCTION SPECIFICATION: FCI GS-12-1092.
PACKAGE SPECIFICATION: FCI GS-14-2267.
APPLICATION SPECIFICATION: FCI GS-20-0353.
- LEAD FREE PRODUCT MEETS EUROPEAN UNION DIRECTIVES AND OTHER COUNTRY REGULATIONS AS DESCRIBED IN FCI GS-22-008.
- THIS PRODUCT WILL WITHSTAND EXPOSURE TO 260°C PEAK TEMPERATURE FOR 10 SECONDS IN WAVE SOLDERING APPLICATION.

| | | | | | | | | | |
|---------------------------------------|---------|------------|------------|-----------------|--------------|----------------|----------------------------|------------------------|--------------|
| spec ref | dr | Nickor Zuo | 2013/05/29 | projection | MM | size | A3 | scale | 4:1 |
| tolerance std | eng | Jeny Ren | 2018/05/17 | | ← → | ecn no | ELX-DG-30194-1 | | |
| TOLERANCES UNLESS OTHERWISE SPECIFIED | chr | - | - | | | product family | - | rel level | Released |
| | surface | appr | Nickor Zuo | 2018/05/30 | Amphenol FCI | | DDR4 288Pin DIMM CONNECTOR | | rev |
| ASME Y14.5 | linear | 0.X | ±0.30 | PTH TERMINATION | | cat. no. | - | Product - Customer Drw | sheet 5 of 5 |
| | angular | 0° | ±2° | | | | | | |

© 2016 AFCI Amphenol FCI