



Chipsmall Limited consists of a professional team with an average of over 10 year of expertise in the distribution of electronic components. Based in Hongkong, we have already established firm and mutual-benefit business relationships with customers from,Europe,America and south Asia,supplying obsolete and hard-to-find components to meet their specific needs.

With the principle of “Quality Parts,Customers Priority,Honest Operation,and Considerate Service”,our business mainly focus on the distribution of electronic components. Line cards we deal with include Microchip,ALPS,ROHM,Xilinx,Pulse,ON,Everlight and Freescale. Main products comprise IC,Modules,Potentiometer,IC Socket,Relay,Connector.Our parts cover such applications as commercial,industrial, and automotives areas.

We are looking forward to setting up business relationship with you and hope to provide you with the best service and solution. Let us make a better world for our industry!



## Contact us

Tel: +86-755-8981 8866 Fax: +86-755-8427 6832

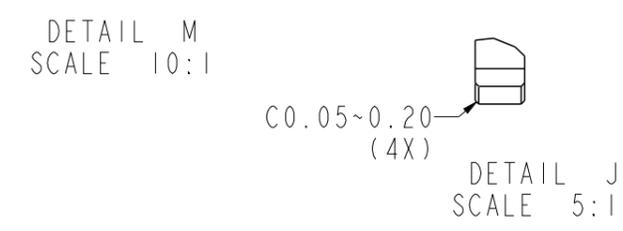
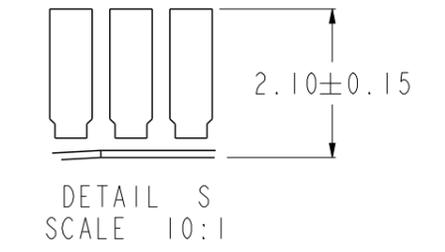
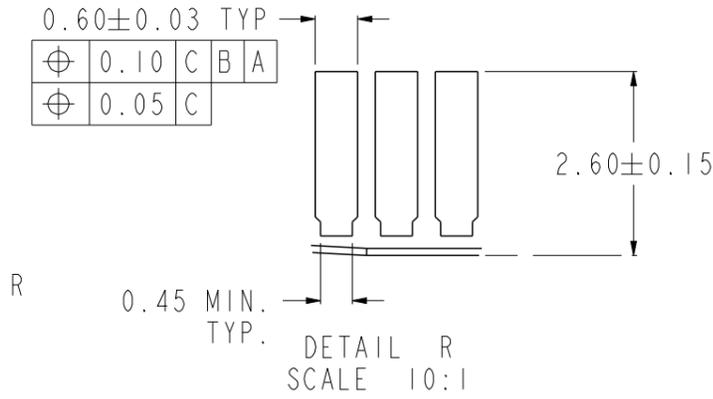
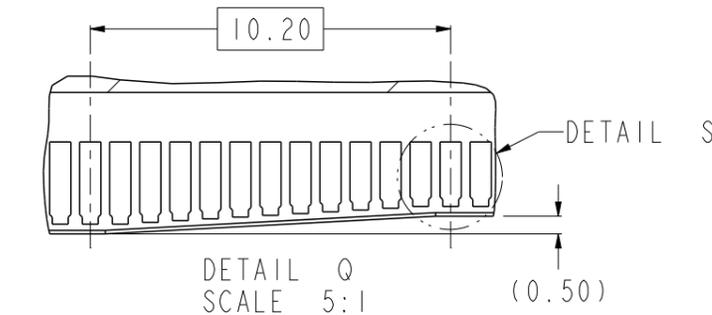
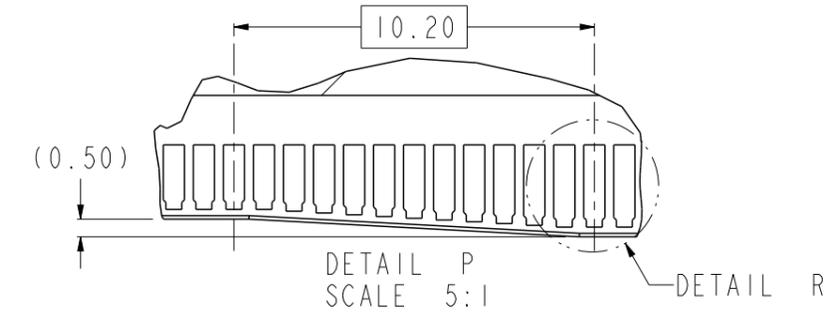
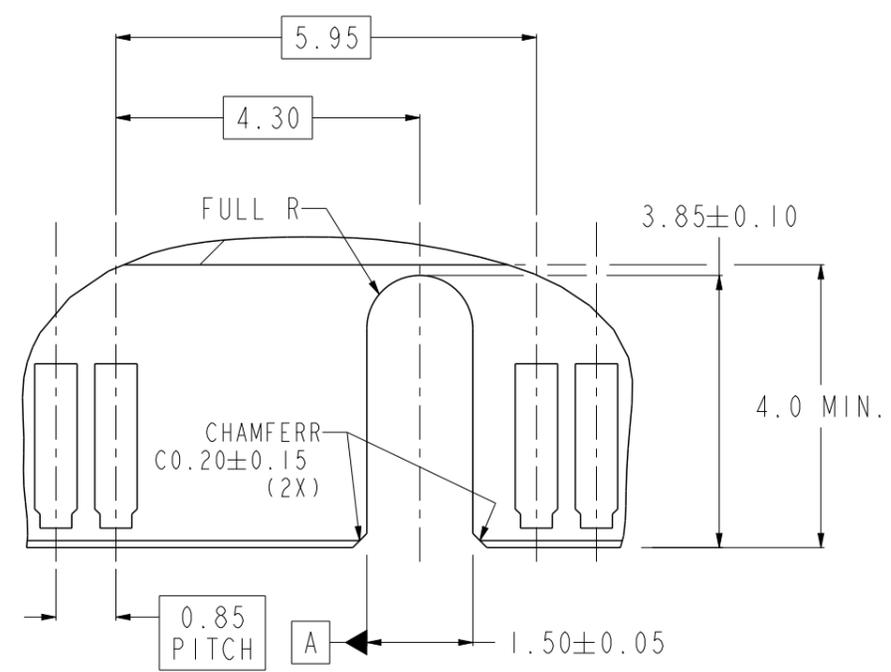
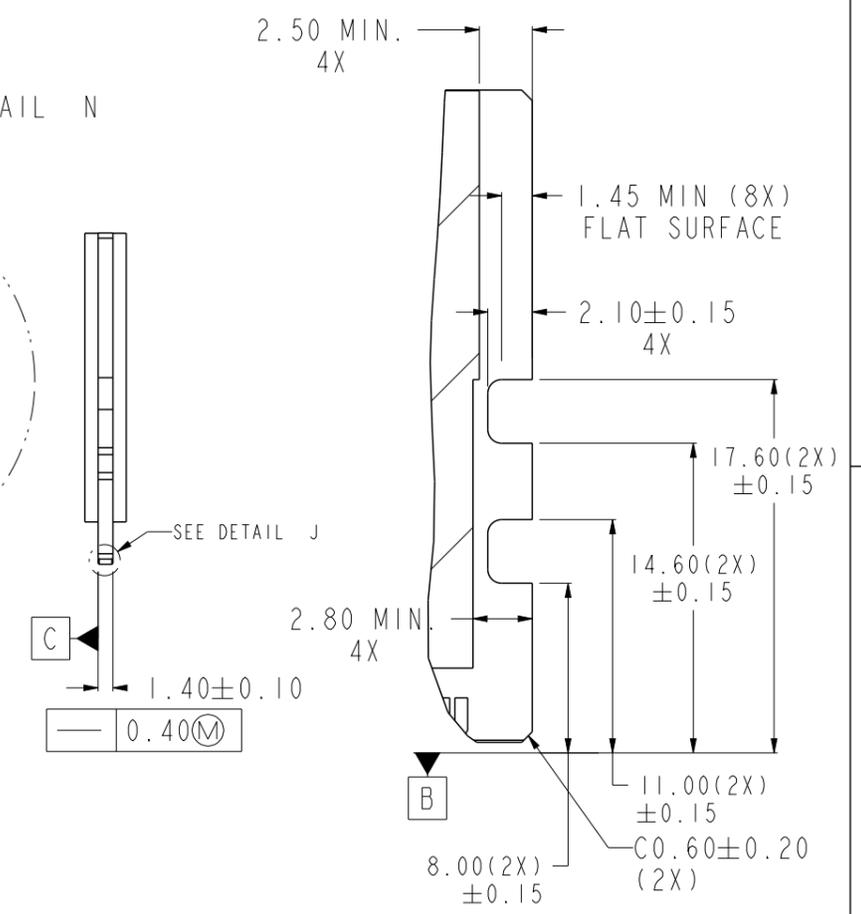
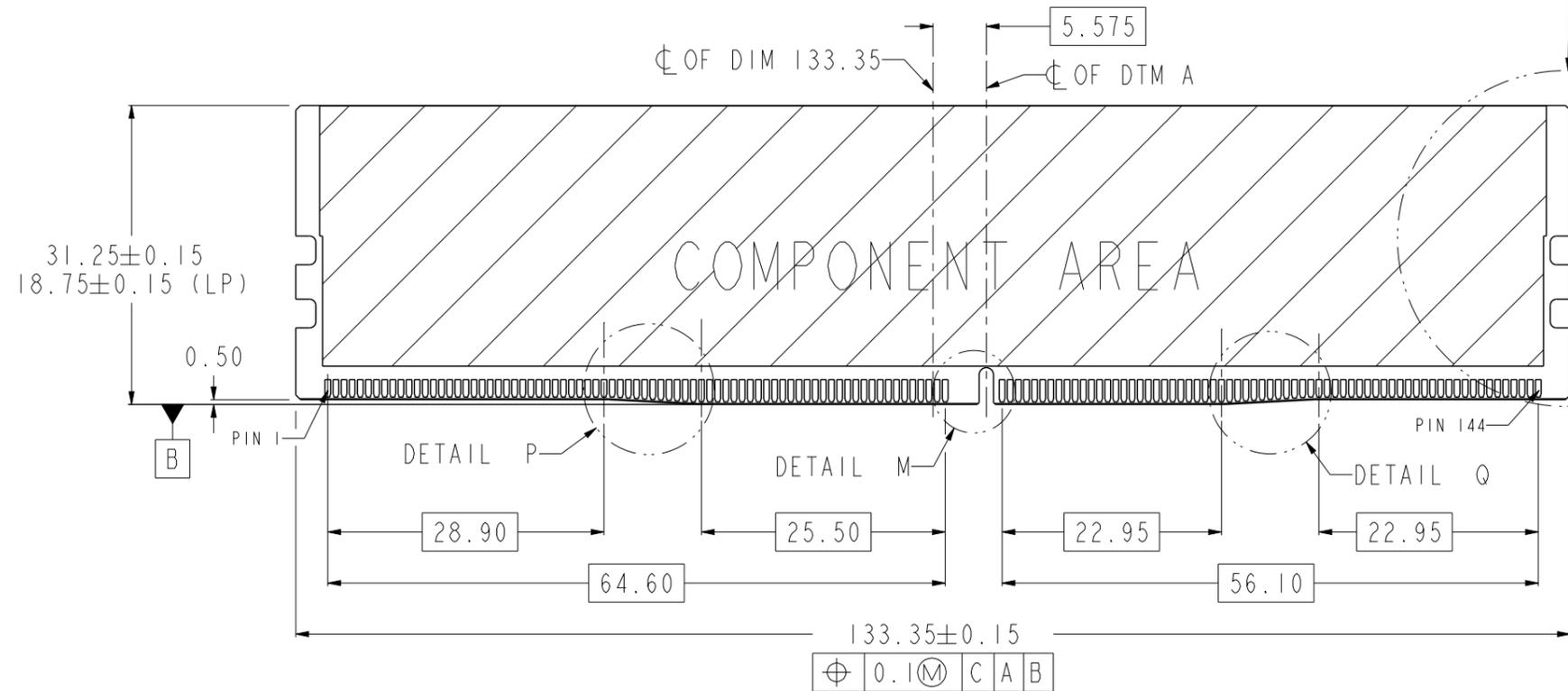
Email & Skype: info@chipsmall.com Web: www.chipsmall.com

Address: A1208, Overseas Decoration Building, #122 Zhenhua RD., Futian, Shenzhen, China





DDR4 MODULE  
MORE INFORMATION REFER TO JEDEC MO-309

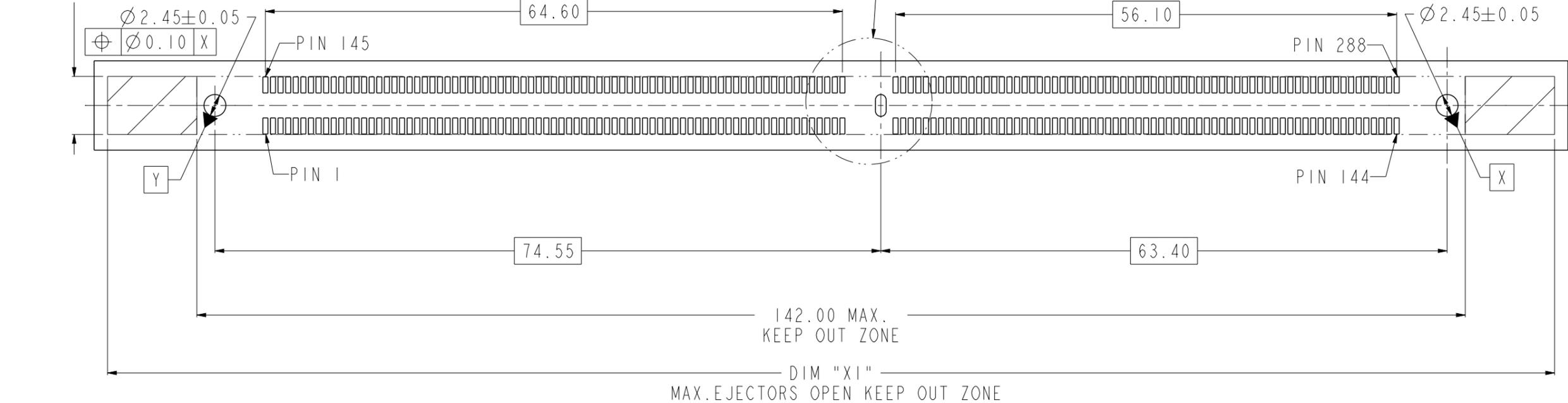


spec ref	-	dr	Nickor Zuo	2013/05/30	projection	mm	size	A3	scale	3:2	
tolerance std	ISO 406 ISO 1101	eng	Jeny Ren	2018/06/19		← →	ecn no	ELX-DG-30475-1			
TOLERANCES UNLESS OTHERWISE SPECIFIED		chr	-	-			rel level	Released			
surface	linear	appr	Nickor Zuo	2018/06/22	product family	-	dwg no	10124677		rev	F
ISO 1302	angular			cat. no.	-	Product - Customer Drw	sheet 2 of 5				

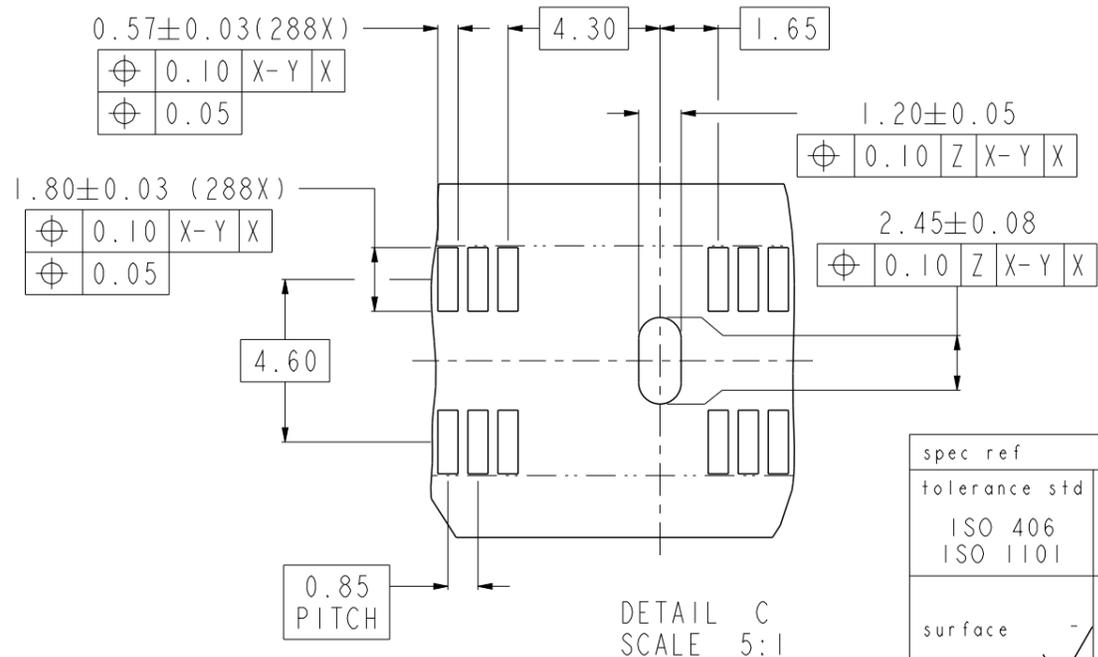
Amphenol FCI  
© 2016 AFCI

RECOMMENDED PCB LAYOUT  
MORE INFORMATION REFER TO JEDEC SO-017

6.50 MAX.  
KEEP OUT ZONE



THICKNESS  
1.6~3.2mm



ADDITIONAL NOTES:

1. RECOMMENDED STENCIL THICKNESS IS NOT LESS THAN 0.15mm

spec ref	-	dr	Nickor Zuo	2013/05/30	projection	mm	size	A3	scale	1:1	
tolerance std	ISO 406 ISO 1101	eng	Jeny Ren	2018/06/19			ecn no	ELX-DG-30475-1			
surface	ISO 1302	chr	-	-			rel level	Released			
linear	0.X ±0.30 0.XX ±0.20 0.XXX ±0.10	appr	Nickor Zuo	2018/06/22	product family	-	dwg no	10124677		rev	F
angular	0° ±2°	cat. no.	-	-	Product - Customer Drw	-	sheet 3 of 5				

PRODUCT PART NUMBER

10124677-□□□□□□□□

ADDITIONAL REQUIREMENTS

0: DEFAULT

HOLD DOWNS CONFIGURATIONS

- 0: 3 FORKLOCKS, DIM "Y"=4.00±0.25
- 1: 3 FORKLOCKS, DIM "Y"=2.50±0.25
- 2: 3 FORKLOCKS, DIM "Y"=3.78±0.25
- 3: 3 SOLDER TABS, DIM"S"=2.00
- 5: 2 SOLDER TABS AT BOTH END +1 FORKLOCK AT MIDDLE  
DIM "Y"=4.00±0.25
- 6: 3 SOLDER TABS, DIM"S"=1.50

MYLAR AND PACKAGE

- 0. WITH MYLAR(LENGTH=30mm),HARD TRAY PACKAGE
- 1. WITH MYLAR(LENGTH=90mm),HARD TRAY PACKAGE
- 2. WITHOUT MYLAR, HARD TRAY PACKAGE
- 3. WITHOUT MYLAR, SPECIFIED HARD TRAY PACKAGE (OMIT FOUR CORNERS)
- 4. WITH CAP, HARD TRAY PACKAGE

HOUSING COLOR

- 0: NATURAL
- 1: BLACK
- 2: BLUE

SMT TAIL PLATING

LF: 100u" MIN. MATTE TIN  
TL: 100u" MIN. TIN LEAD

CONTACT AREA PLATING

CONTACTS LUBRICATION

- 0: WITHOUT
- 1: WITH

EJECTOR TYPE

CODE	CONTACT AREA	UNDERPLATING
1	15u" MIN.GOLD	50u" MIN.NICKEL
3	30u" MIN.GOLD	
4	30u" MIN.GXT	
5	15u" MIN.GXT	90u" MIN.NICKEL
6	30u" MIN.GOLD	
7	15u" MIN.GOLD	

CODE	COLOR	DIM"X1" MAX.EJECTORS OPEN DISTANCE	DIM"X2" MAX.EJECTORS CLOSE DISTANCE	DIM"W" EJECTOR WIDTH	EJECTOR FIGURE
0	NATURAL	162.00	149.00	(6.42)	
1	BLACK				
D	BLUE				
3	NATURAL	153.00	143.00	(6.42)	
4	BLACK				
S	SEE NOTE 7				
H	GREEN				
B	NATURAL	153.00	143.00	(6.42)	
C	BLACK				
6	NATURAL	158.00	146.00	(4.00)	
7	BLACK				
E OR J	NATURAL	156.00	146.00	(6.42)	
F OR K	BLACK				
U	BLUE				

CODE	COLOR	DIM"X1" MAX.EJECTORS OPEN DISTANCE	DIM"X2" MAX.EJECTORS CLOSE DISTANCE	DIM"W" EJECTOR WIDTH	EJECTOR FIGURE
R	NATURAL	157.00	146.00	(6.42)	
P	BLACK				
V	BLUE				

spec ref	-	dr	Nickor Zuo	2013/05/30	projection	mm	size	A3	scale	1:1
tolerance std	ISO 406 ISO 1101	eng	Jeny Ren	2018/06/19		←→	ecn no	ELX-DG-30475-1		
	TOLERANCES UNLESS OTHERWISE SPECIFIED	chr	-	-	product family	-	rel level	Released		
surface	linear	appr	Nickor Zuo	2018/06/22	DDR4 288 PIN DIMM CONNECTOR		dwg no	10124677	rev	F
	angular				SMT TERMINATION					
	0.X ±0.30				cat. no.	-	Product - Customer Drw	sheet 4 of 5		
	0.XX ±0.20									
	0.XXX ±0.10									
	0° ±2°									

Amphenol FCI

© 2016 AFCI

PRODUCT PART NUMBER

10124677-□□□□□□□□

ADDITIONAL REQUIREMENTS

1: LOW HALOGEN

HOLD DOWNS CONFIGURATIONS

- 0: 3 FORKLOCKS, DIM "Y"=4.00±0.25
- 1: 3 FORKLOCKS, DIM "Y"=2.50±0.25
- 2: 3 FORKLOCKS, DIM "Y"=3.78±0.25
- 3: 3 SOLDER TABS, DIM"S"=2.00
- 5: 2 SOLDER TABS AT BOTH END +1 FORKLOCK AT MIDDLE  
DIM "Y"=4.00±0.25
- 6: 3 SOLDER TABS, DIM"S"=1.50

MYLAR AND PACKAGE

- 0. WITH MYLAR(LENGTH=30mm),HARD TRAY PACKAGE
- 1. WITH MYLAR(LENGTH=90mm),HARD TRAY PACKAGE
- 2. WITHOUT MYLAR, HARD TRAY PACKAGE
- 3. WITHOUT MYLAR, SPECIFIED HARD TRAY PACKAGE (OMIT FOUR CORNERS)

HOUSING COLOR

- 0: NATURAL
- 1: BLACK
- 2: BLUE

EJECTOR TYPE

CODE	COLOR	DIM"X1" MAX.EJECTORS OPEN DISTANCE	DIM"X2" MAX.EJECTORS CLOSE DISTANCE	DIM"W" EJECTOR WIDTH	EJECTOR FIGURE
0	NATURAL	162.00	149.00	(6.42)	
1	BLACK				153.00
3	NATURAL	153.00	143.00		
4	BLACK				

SMT TAIL PLATING

LF: 100u" MIN. MATTE TIN  
TL: 100u" MIN. TIN LEAD

CONTACT AREA PLATING

CONTACTS LUBRICATION

- 0: WITHOUT
- 1: WITH

CODE	CONTACT AREA	UNDERPLATING
1	15u" MIN.GOLD	50u" MIN.NICKEL
3	30u" MIN.GOLD	
4	30u" MIN.GXT	
5	15u" MIN.GXT	90u" MIN.NICKEL
6	30u" MIN.GOLD	
7	15u" MIN.GOLD	

NOTES:

1. MATERIALS:  
HOUSING: HIGH PERFORMANCE RESINS, GLASS FIBER FILLED, UL94 V-0 RATED.  
EJECTOR: HIGH PERFORMANCE RESINS, GLASS FIBER FILLED, UL94 V-0 RATED.  
TERMINAL: COPPER ALLOY  
FORKLOCK: COPPER ALLOY  
SOLDER TAB: COPPER ALLOY
2. STENCIL THICKNESS IS NOT LESS THAN 0.15mm.
3. DATE CODE "MMDDYYL", MMDDYY IS ASSEMBLY DATE, L IS FCI PRODUCTION LINE.
4. SPECIFICATION:  
PRODUCTION SPECIFICATION: FCI GS-12-1092.  
PACKAGE SPECIFICATION: FCI GS-14-2267.  
APPLICATION SPECIFICATION: FCI GS-20-0353.
5. LEAD FREE PRODUCT MEETS EUROPEAN UNION DIRECTIVES AND OTHER COUNTRY REGULATIONS AS DESCRIBED IN FCI GS-22-008.
6. THIS PRODUCT WILL WITHSTAND EXPOSURE TO 260°C PEAK TEMPERATURE FOR 10 SECONDS IN REFLOW SOLDERING APPLICATION.
7. NATURE EJECTOR NEAR PIN 1#+BLACK EJECTOR NEAR PIN 288#

spec ref	-	dr	Nickor Zuo	2013/05/30	projection		mm	size	A3	scale	1:1
tolerance std	ISO 406 ISO 1101	eng	Jeny Ren	2018/06/19	chr	-		ecn no	ELX-DG-30475-1		
	TOLERANCES UNLESS OTHERWISE SPECIFIED	appr	Nickor Zuo	2018/06/22	product family	-		rel level	Released		
surface	linear	0.X	±0.30	Amphenol FCi	DDR4 288 PIN DIMM CONNECTOR SMT TERMINATION	dwg no	10124677	rev	F		
		0.XX	±0.20								
		0.XXX	±0.10								
ISO 1302	angular	0°	±2°	cat. no.	-	Product - Customer Drw	sheet 5 of 5				

Amphenol  
FCi

© 2016 AFCI