



Chipsmall Limited consists of a professional team with an average of over 10 year of expertise in the distribution of electronic components. Based in Hongkong, we have already established firm and mutual-benefit business relationships with customers from,Europe,America and south Asia,supplying obsolete and hard-to-find components to meet their specific needs.

With the principle of “Quality Parts,Customers Priority,Honest Operation,and Considerate Service”,our business mainly focus on the distribution of electronic components. Line cards we deal with include Microchip,ALPS,ROHM,Xilinx,Pulse,ON,Everlight and Freescale. Main products comprise IC,Modules,Potentiometer,IC Socket,Relay,Connector.Our parts cover such applications as commercial,industrial, and automotives areas.

We are looking forward to setting up business relationship with you and hope to provide you with the best service and solution. Let us make a better world for our industry!



Contact us

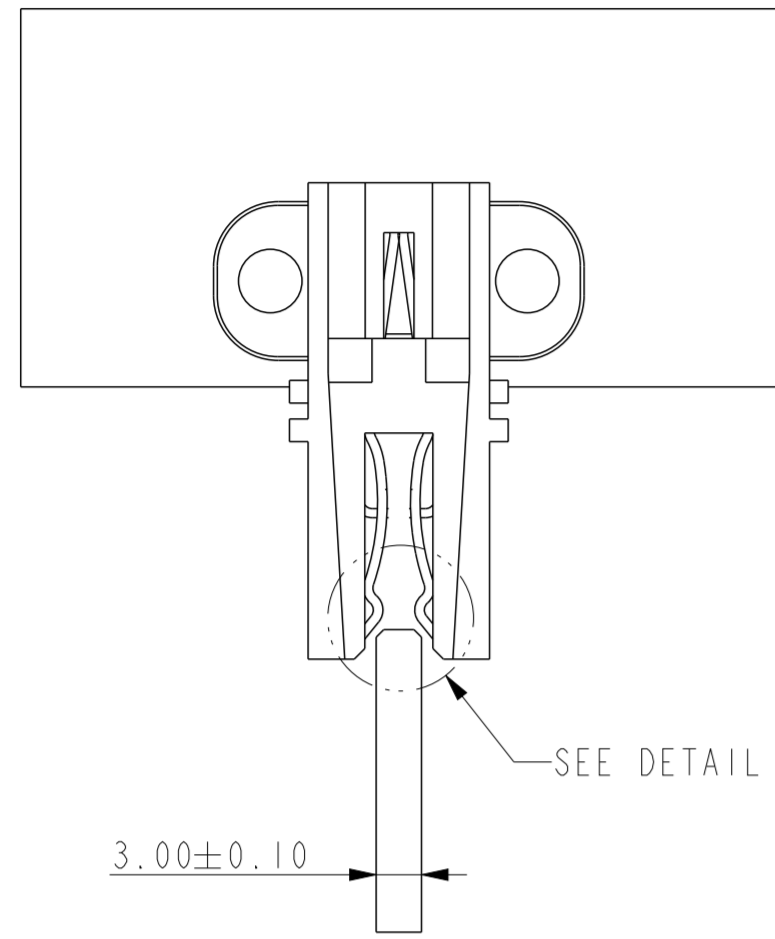
Tel: +86-755-8981 8866 Fax: +86-755-8427 6832

Email & Skype: info@chipsmall.com Web: www.chipsmall.com

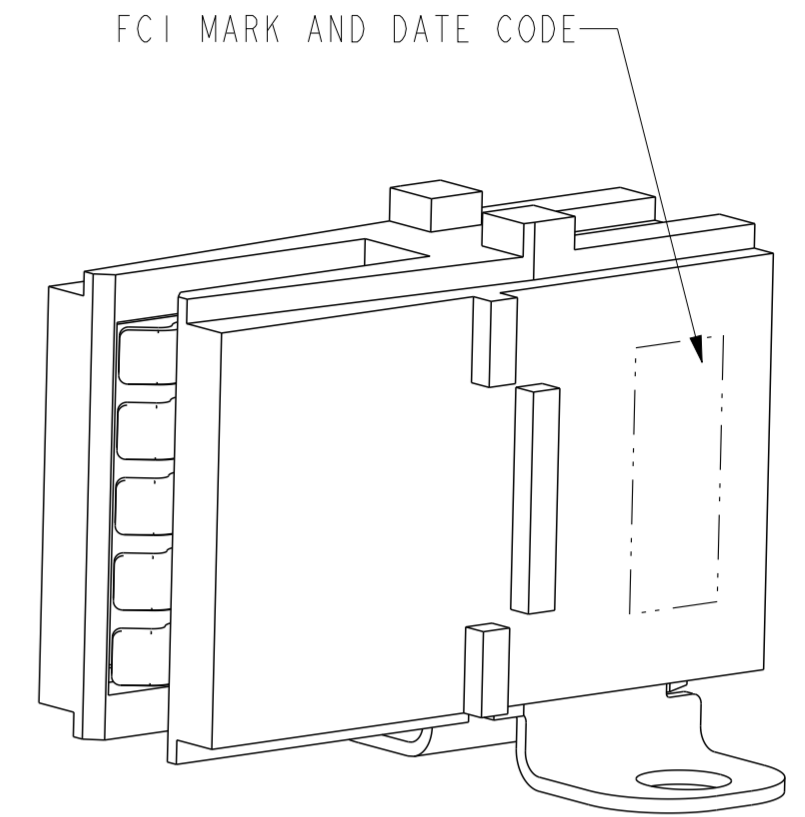
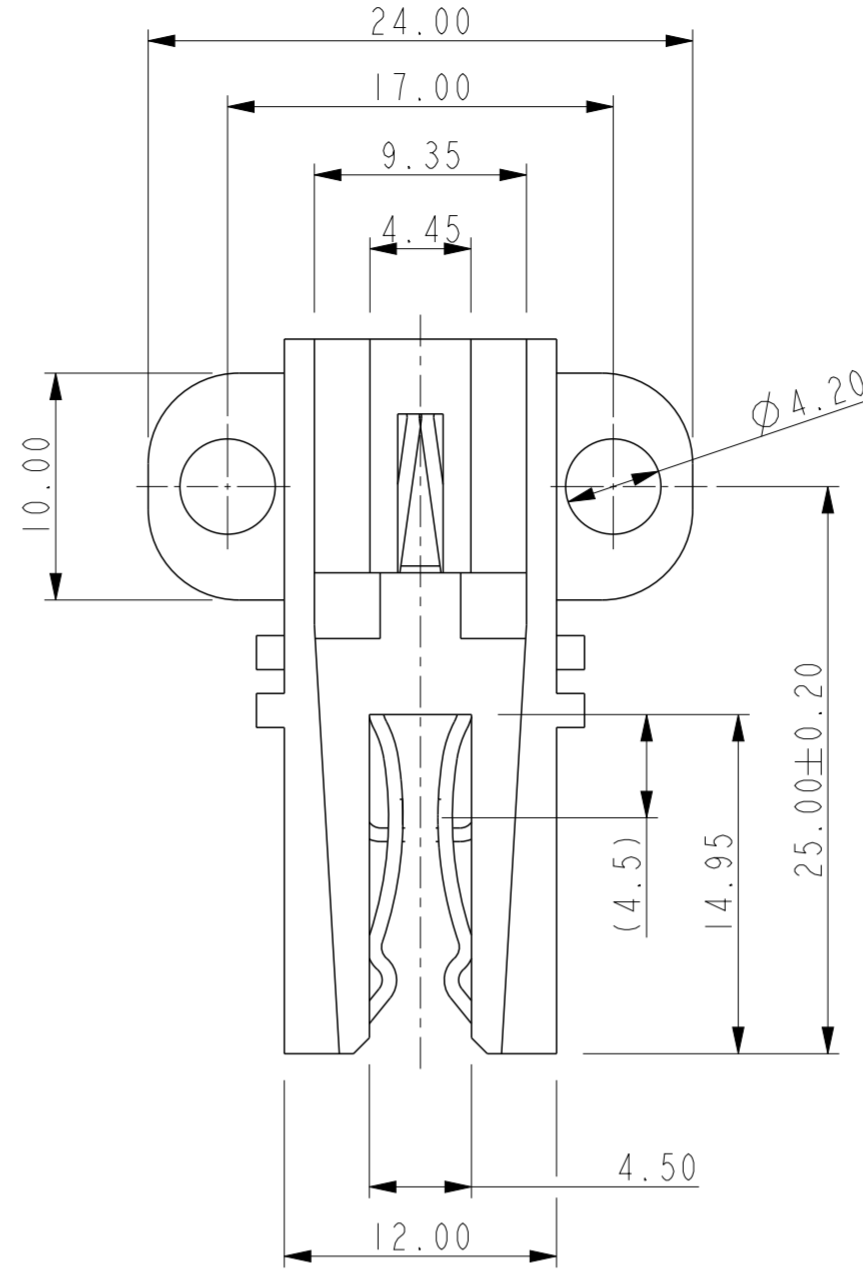
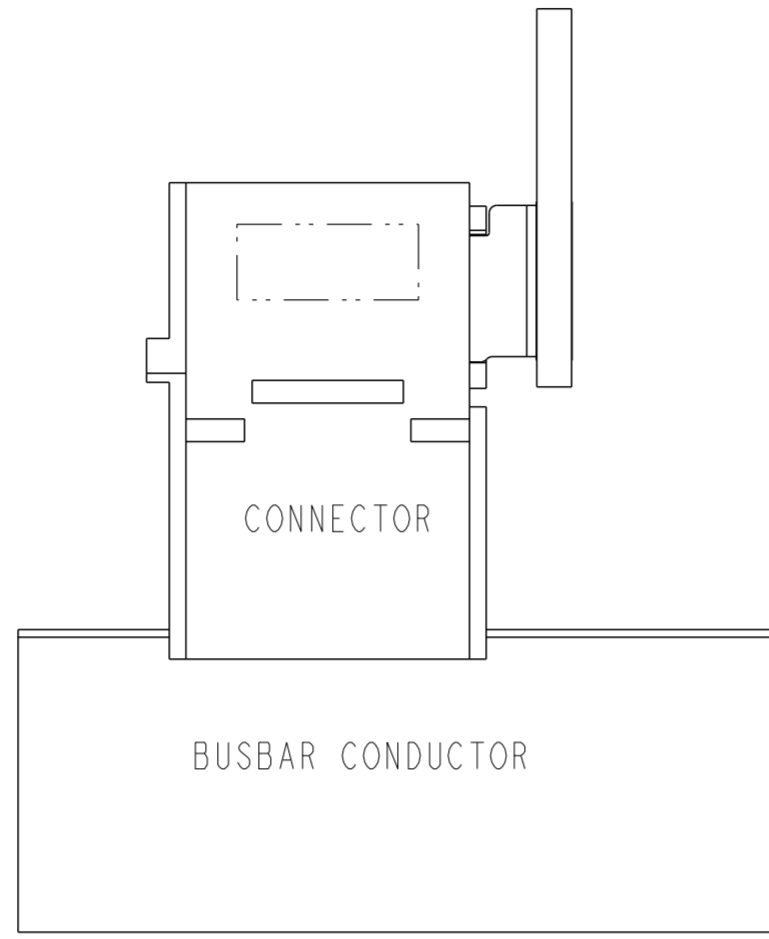
Address: A1208, Overseas Decoration Building, #122 Zhenhua RD., Futian, Shenzhen, China



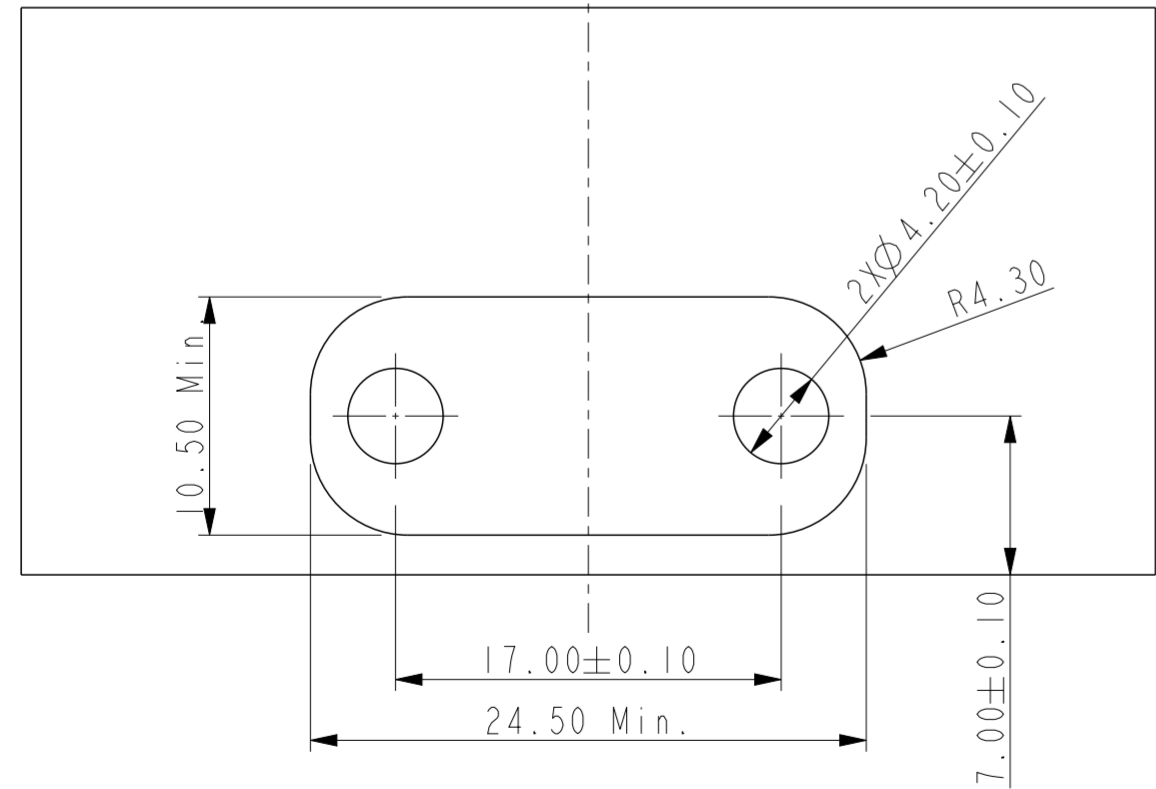
PRODUCT NUMBER	DESCRIPTION (PLATING)
10125595-S01LF	CONTACT AREA: AGT PLATING-3.0um SILVER OVER 1.27um NICKEL



SEE DETAIL A

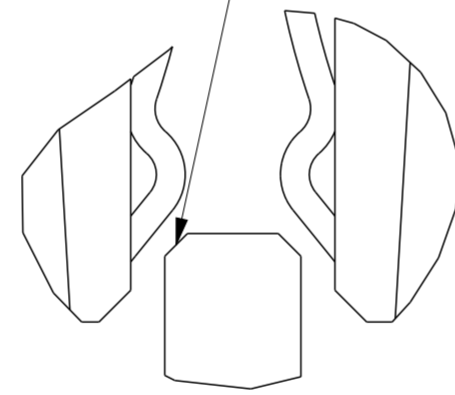


PCB AND BUSBAR-CONDUCTOR
IN THESE VIEWS ARE SHOWN FOR REFERENCE ONLY.

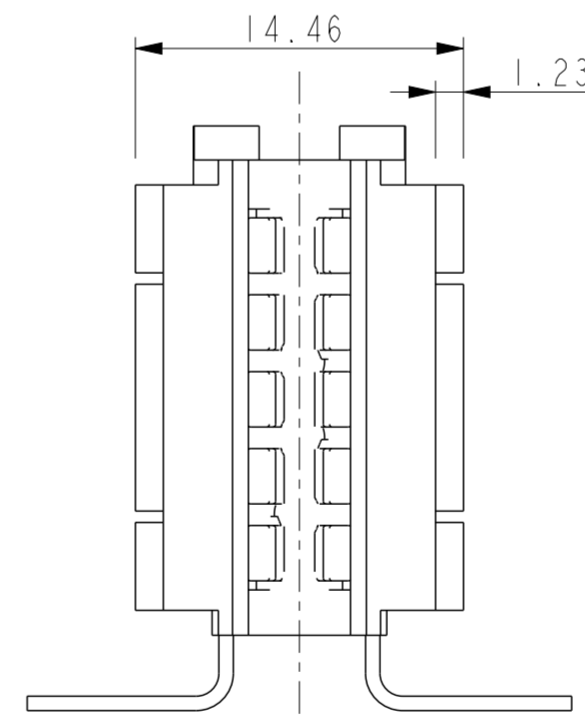


RECOMMENDED PCB LAYOUT
THICKNESS 15-2.0mm

0.5mm Min. RADIUS OR CHAMFERED
EDGE ON BUSBAR CONDUCTOR
RECOMMENDED

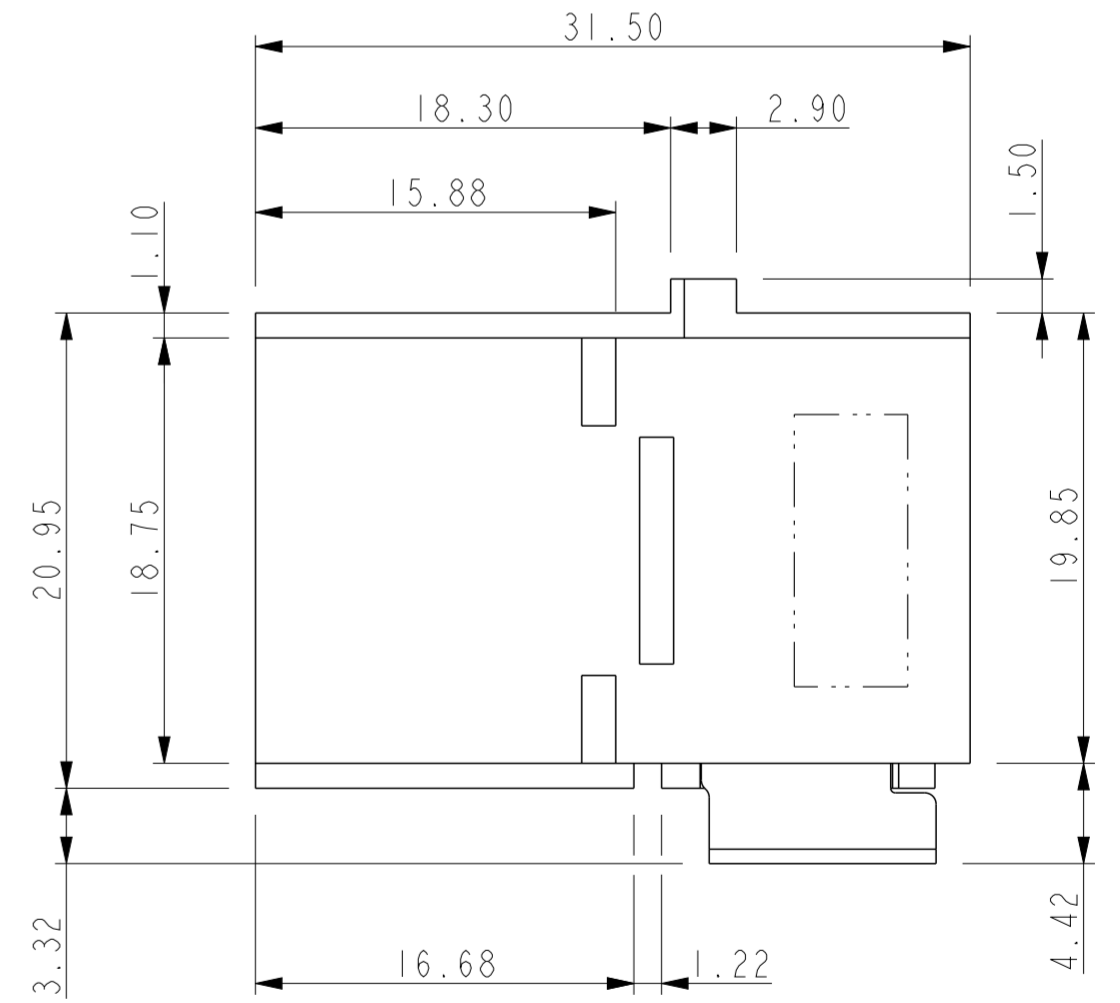


DETAIL A (6:1)



NOTES:

- CONNECTOR HOUSING:
HIGH TEMPERATURE THERMOPLASTIC GLASS FILLED, UL 94V-0
TERMINALS: COPPER ALLOY
- FINISHES:
SEE PRODUCT NUMBER
- PRODUCT SPECIFICATION: GS-12-1179
APPLICATION SPECIFICATION: GS-20-0396
PACKING SPECIFICATION: GS-14-2376
- RECOMMEND INSIDE HEXANOAL HEAD SCREW M4.0



spec ref	-	dr	Zhao Peter	2013/06/18	projection	MM	size	A2	scale	3:1
tolerance std	ISO 406 ISO 1101	eng	Jacklin Zou	2017/06/09			ecn no	ELX-DG-27194-1	rel level	Released
surface	linear	0.X	±0.30	0.XX						
	angular	0°	±2°	Amphenol FCI www.fci.com		title Screwed Mount Barklip R/A CONNECTOR	dwg no 10125595	rev D	Product - Customer Drw sheet 1 of 1	