



Chipsmall Limited consists of a professional team with an average of over 10 year of expertise in the distribution of electronic components. Based in Hongkong, we have already established firm and mutual-benefit business relationships with customers from,Europe,America and south Asia,supplying obsolete and hard-to-find components to meet their specific needs.

With the principle of “Quality Parts,Customers Priority,Honest Operation,and Considerate Service”,our business mainly focus on the distribution of electronic components. Line cards we deal with include Microchip,ALPS,ROHM,Xilinx,Pulse,ON,Everlight and Freescale. Main products comprise IC,Modules,Potentiometer,IC Socket,Relay,Connector.Our parts cover such applications as commercial,industrial, and automotives areas.

We are looking forward to setting up business relationship with you and hope to provide you with the best service and solution. Let us make a better world for our industry!



Contact us

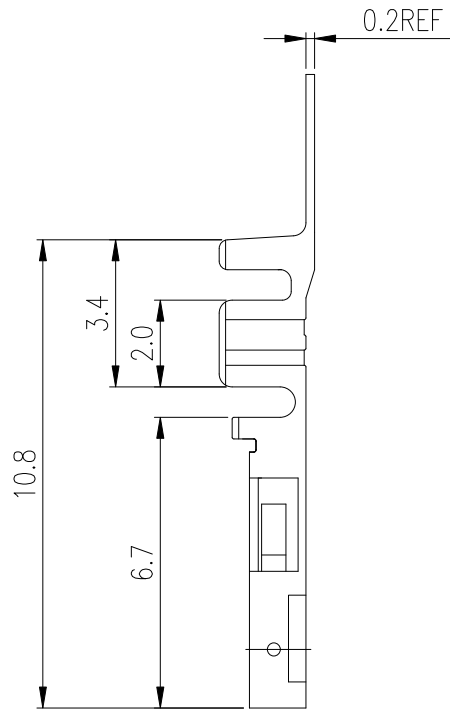
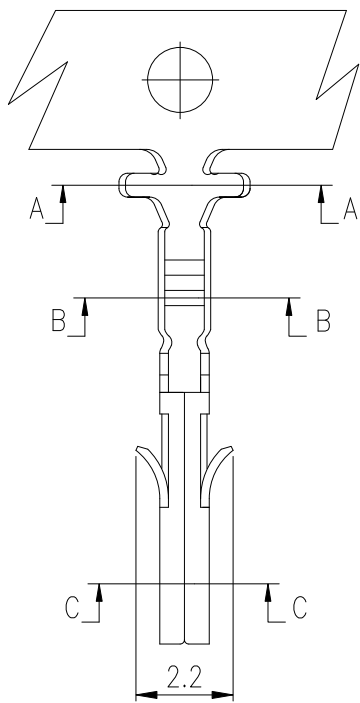
Tel: +86-755-8981 8866 Fax: +86-755-8427 6832

Email & Skype: info@chipsmall.com Web: www.chipsmall.com

Address: A1208, Overseas Decoration Building, #122 Zhenhua RD., Futian, Shenzhen, China

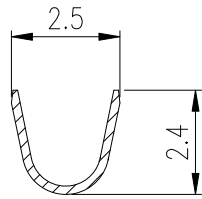


PRODUCT NUMBER
10127718-00XXLF

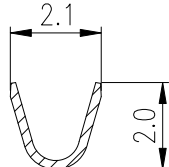


- NOTES:
1. MATERIAL:
TERMINAL: PHBR
 2. FINISH:
MIN. 30u" NICKEL OVERALL UNDERPLATING.
OPTIONAL PLATING ON CONTACT AREA.
 3. PLATE TYPE: OPTIONS.
 4. TERMINAL Q'ty/REEL: 10,000PCS.
 5. APPLICABLE WIRES: AWG#30~#20, INSULATOR O.D:
1.27~1.85mm.
 6. THIS TERMINAL IS USED WITH FCI RECEPTACLE HSG
10127716.
 7. PRODUCT SPECIFICATION: GS-12-1177.
 8. PACKAGE SPECIFICATION: GS-14-2359.
 9. PRODUCT NUMBER SCHEME:
10127718-00 X X LF

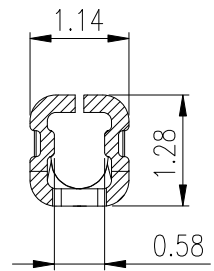
- PLATING TYPE
P: PRE-PLATED
BLANK: POST-PLATED
- PLATING CODE
1: 80u" TIN OVERALL, CONTACT AREA
COATED WITH LUBRICANT (POST-PLATED)
2: GOLD FLASH (PRE-PLATED).
3: 15u" Au (PRE-PLATED)
4: 30u" Au (PRE-PLATED)



SEC A-A



SEC B-B



SEC C-C
SCALE 2:1

mat'l. code				surface		tolerance		projection		product family			
ltr				ecn no		dr		date		tolerances unless otherwise specified		title	
A				TAI		2013-10-21		angles		X.X ±0.4		RECEPTACLE CRIMP TERMINAL FOR	
B				ELX-T-17032		TAI		2014-02-25		X.XX ±0.30		MINITEK PWR3.0 WIRE CONNECTOR	
C				ELX-T-18006		TAI		2014-06-19		X°±2°		scale	
D				ELX-T-21533		TAI		2015-07-15		dr		KENNY TAI 2013-10-21	
E				ELX-T-23008		TAI		2016-01-12		enr		KENNY TAI 2013-10-21	
										chr		KENNY TAI 2013-10-21	
										appd		PM ZHENG 2013-11-06	
sheet index		revision sheet		E		1							



dwg no 10127718 sheet 1 of 1 size A4
type CUSTOMER Drawing