



Chipsmall Limited consists of a professional team with an average of over 10 year of expertise in the distribution of electronic components. Based in Hongkong, we have already established firm and mutual-benefit business relationships with customers from,Europe,America and south Asia,supplying obsolete and hard-to-find components to meet their specific needs.

With the principle of “Quality Parts,Customers Priority,Honest Operation,and Considerate Service”,our business mainly focus on the distribution of electronic components. Line cards we deal with include Microchip,ALPS,ROHM,Xilinx,Pulse,ON,Everlight and Freescale. Main products comprise IC,Modules,Potentiometer,IC Socket,Relay,Connector.Our parts cover such applications as commercial,industrial, and automotives areas.

We are looking forward to setting up business relationship with you and hope to provide you with the best service and solution. Let us make a better world for our industry!



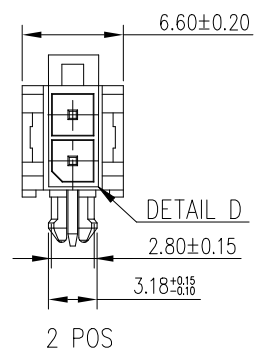
Contact us

Tel: +86-755-8981 8866 Fax: +86-755-8427 6832

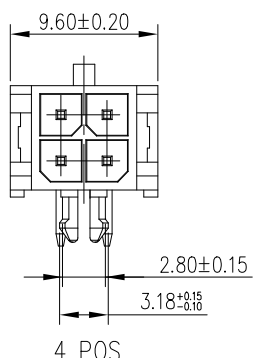
Email & Skype: info@chipsmall.com Web: www.chipsmall.com

Address: A1208, Overseas Decoration Building, #122 Zhenhua RD., Futian, Shenzhen, China

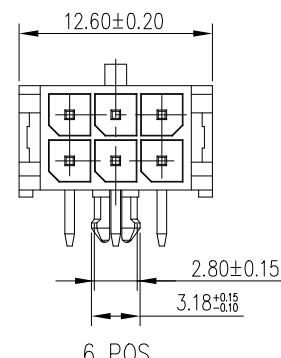




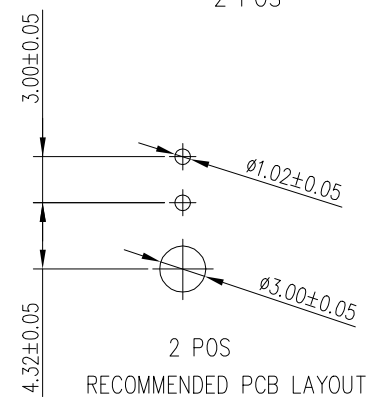
2 POS



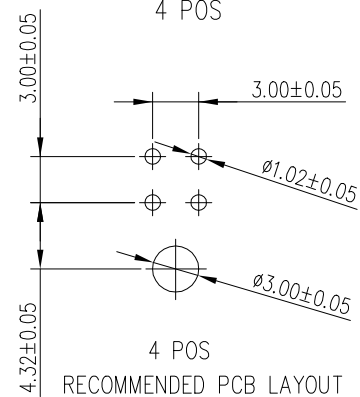
4 POS



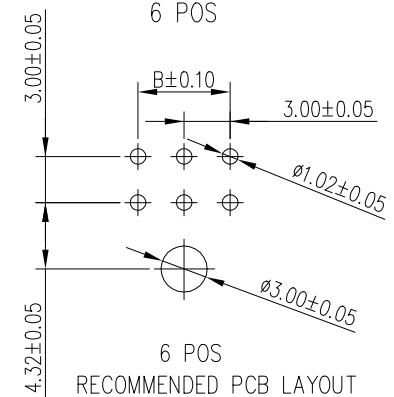
6 POS



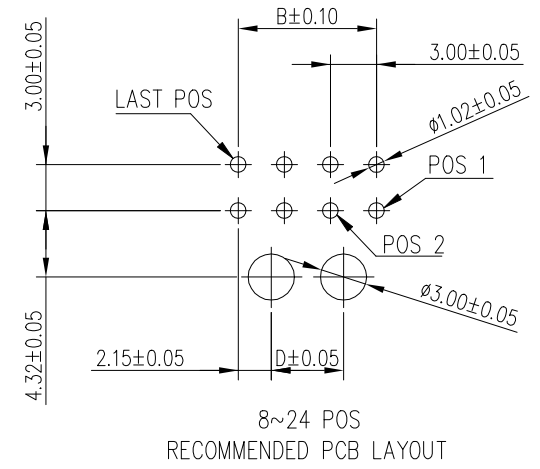
2 POS
RECOMMENDED PCB LAYOUT



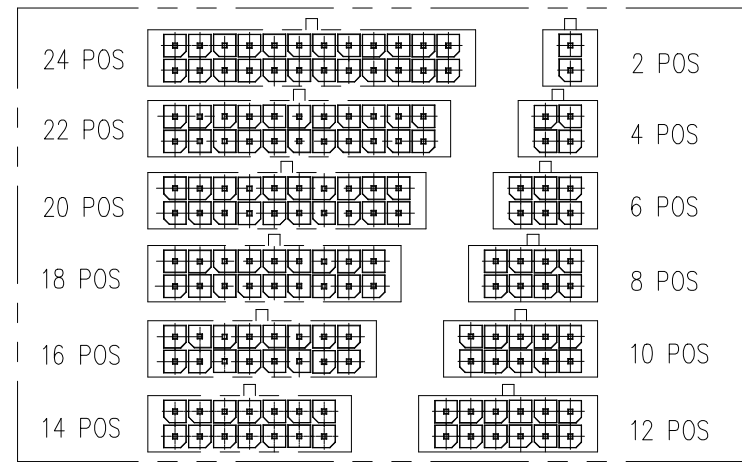
4 POS
RECOMMENDED PCB LAYOUT



6 POS
RECOMMENDED PCB LAYOUT



8~24 POS
RECOMMENDED PCB LAYOUT



DETAIL D

mat'l. code		surface	tolerance	projection	product family
		ISO 1302 ✓	ISO 406 ISO 1101		MINITEK PWR3.0
ltr	ecn no	dr	date	tolerances unless otherwise specified	title
				angles linear	MINITEK PWR3.0 WTB HEADER DUAL ROW, R/A DIP TYPE
				0°±2'	mm
				dr	scale 1:1
				engr	Amphenol FCI
				chr	dwg no
				appd	sheet 2 of 2
					size
					10127720
					A3
					type
					Product Customer Drawing
sheet index	revision sheet	H	H		
		1	2		