



Chipsmall Limited consists of a professional team with an average of over 10 year of expertise in the distribution of electronic components. Based in Hongkong, we have already established firm and mutual-benefit business relationships with customers from,Europe,America and south Asia,supplying obsolete and hard-to-find components to meet their specific needs.

With the principle of “Quality Parts,Customers Priority,Honest Operation,and Considerate Service”,our business mainly focus on the distribution of electronic components. Line cards we deal with include Microchip,ALPS,ROHM,Xilinx,Pulse,ON,Everlight and Freescale. Main products comprise IC,Modules,Potentiometer,IC Socket,Relay,Connector.Our parts cover such applications as commercial,industrial, and automotives areas.

We are looking forward to setting up business relationship with you and hope to provide you with the best service and solution. Let us make a better world for our industry!



## Contact us

Tel: +86-755-8981 8866 Fax: +86-755-8427 6832

Email & Skype: info@chipsmall.com Web: www.chipsmall.com

Address: A1208, Overseas Decoration Building, #122 Zhenhua RD., Futian, Shenzhen, China

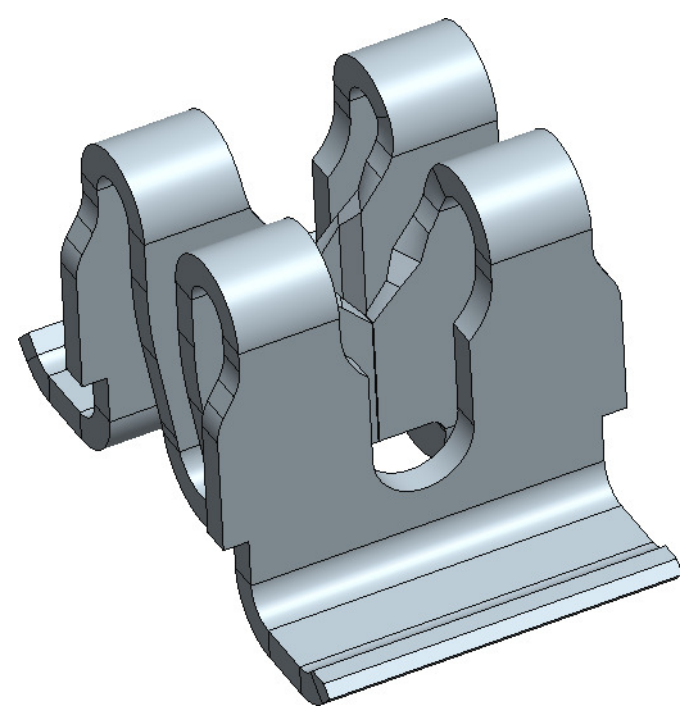
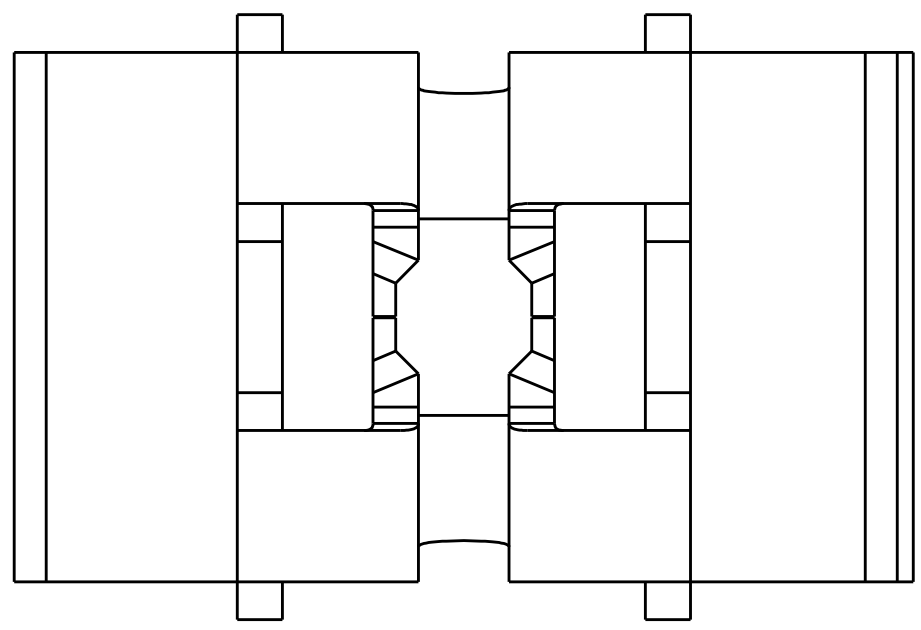


A

B

A

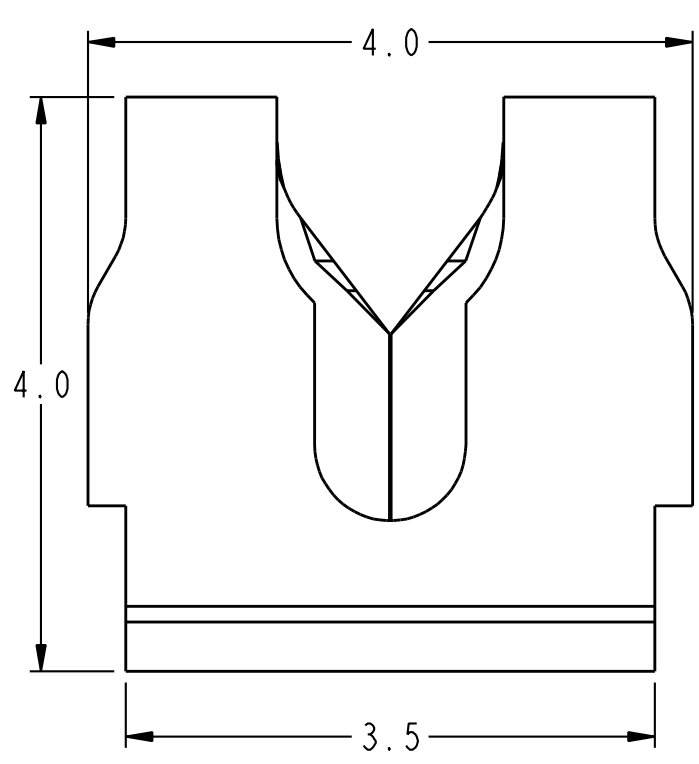
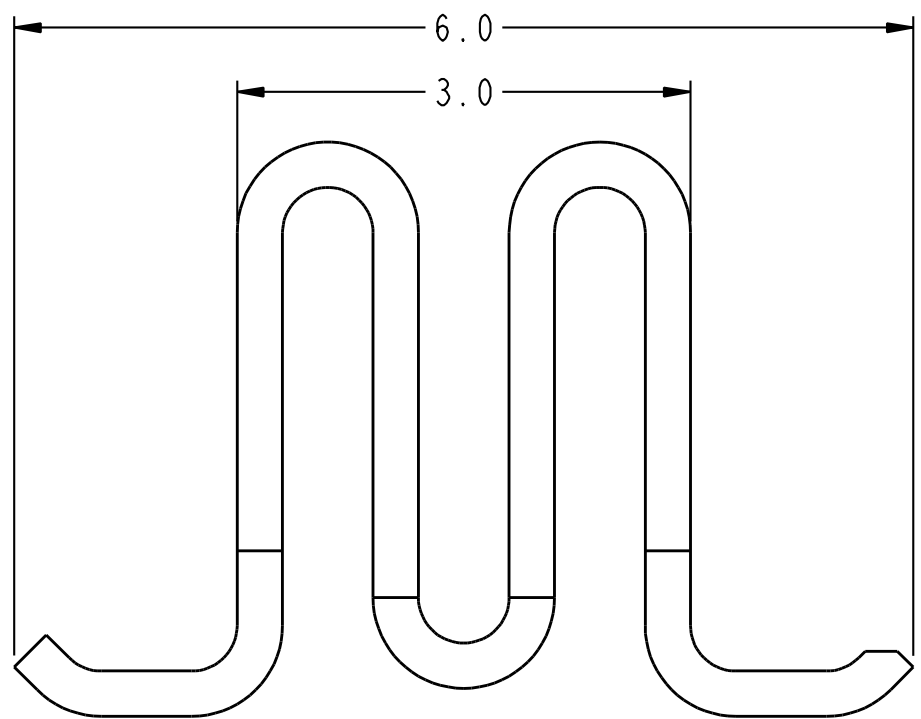
B



SCALE 15:1

C

C



SCALE 20:1

PART NUMBER	QUANTITY	DESCRIPTION	NOTES
-00ITRLF	1,900	WITHOUT PICK & PLACE CAP, IN TAPE & REEL	13
-10ITRLF	1,900	WITH PICK & PLACE CAP, IN TAPE & REEL	13
-10ILF	1	SINGULATED	10
-00ILF	7,500	ON REEL	9

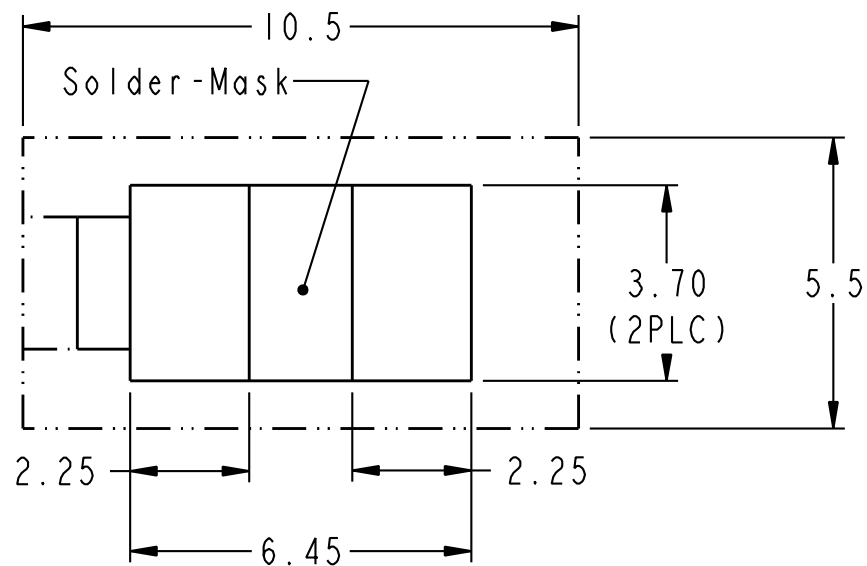
Amphenol FCI

© 2016 AFCI

D

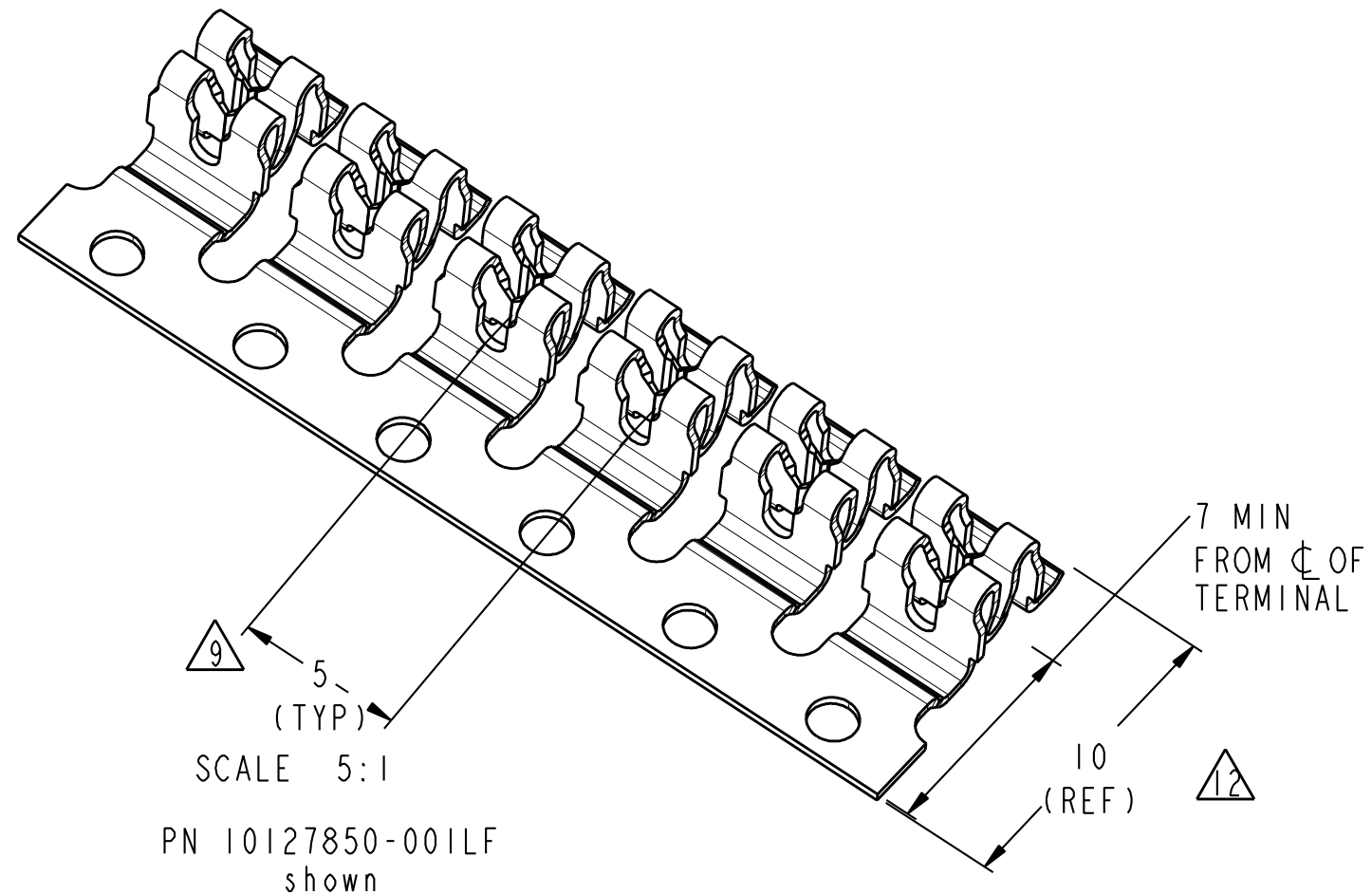
D

spec ref	-	dr	James Sabo	2014/03/18	projection	mm	size	A3	scale	10:1	
tolerance std	ISO 406 ISO 1101	eng	Johann Juillet	2017/11/21			ecn no	ELX-F-27377-1			
TOLERANCES UNLESS OTHERWISE SPECIFIED		chr	Johann Juillet	2017/11/21			rel level	Released			
surface	ISO 1302	appr	Aymeric Soudy	2017/11/21	product family	-	rel level	Released			
linear	0.X ±0.3 0.XX ±0.05 0.XXX ±0.025			part no	TERMINAL, GRIPLET,™ SMT		dwg no	10127850C		rev	C
angular	0° ±2°	www.fci.com	cat. no.	-	Product - Customer Drw	sheet 1 of 3					



11 14 RECOMMENDED SOLDER-PAD FOOTPRINT AND KEEP-OUT ZONE FOR WIRE INSTALLATION TOOL.

1. CONNECTOR MATERIAL: COPPER ALLOY
2. PLATING: TIN OVER NICKEL.
3. PRODUCT SPECIFICATION: GS-12-1234.
4. PACKAGING MEETS GS-14-920 LEAD-FREE LABELING SPECIFICATION.
5. PRODUCT MARKING: N/A
6. MINIMUM CENTERLINE SPACING BETWEEN ADJACENT TERMINALS IS 5MM.
7. WIRE INSERTION TOOL REQUIRES KEEP-OUT ZONE AS SHOWN.
8. LEAD-FREE PRODUCT MEETS THE EUROPEAN UNION DIRECTIVES & OTHER COUNTRY REGULATIONS AS DESCRIBED IN GS-22-008.



Amphenol FCI

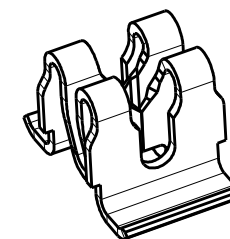
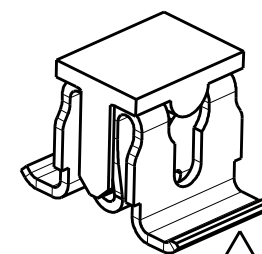
9 AVAILABLE ON 24 INCH REEL, QUANTITY 7500 PER REEL.  
REELING SPECIFICATION: GS-14-2273 AND FCI  
PACKAGING SPECIFICATION GS-14-2541  
AVAILABLE LOOSE-IN-BAG. PACKAGE QUANTITY 1000 PER BAG.

10 RECOMMENDED KEEP-OUT ZONE FOR WIRE-INSTALLATION TOOL.

11 DIMENSIONS FOR TERMINALS PRIOR TO BREAK-OFF FROM CARRIER.

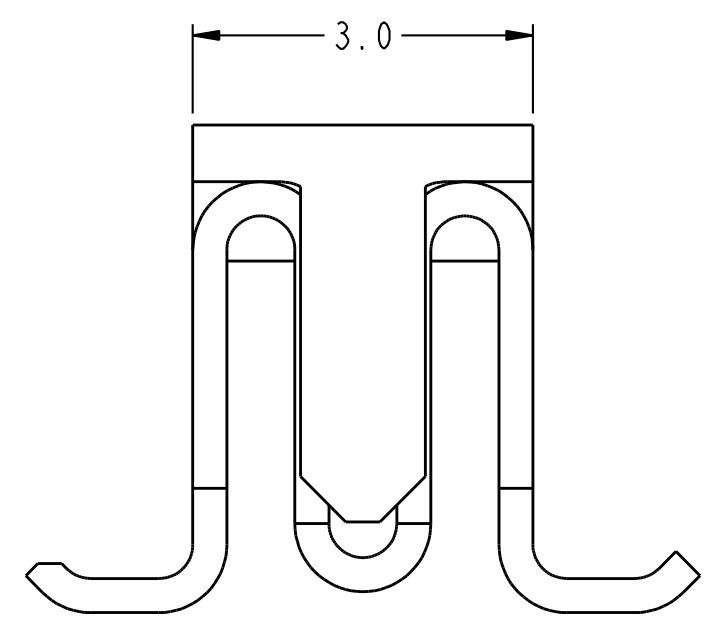
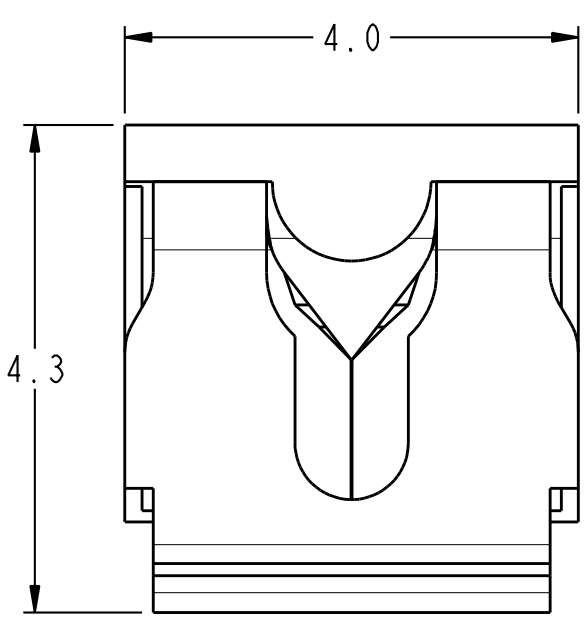
12 AVAILABLE WITH AND WITHOUT PICK & PLACE CAPS  
ON 13 INCH DIAMETER REEL,  
SEE TABLE FOR QUANTITY PER REEL.  
TAPE & REEL SPECIFICATION: EIA-481B AND  
FCI PACKAGING SPECIFICATION GS-14-2541.

14 RECOMMENDED NOMINAL SOLDER  
STENCIL THICKNESS:  
0.127MM (0.005 INCH)

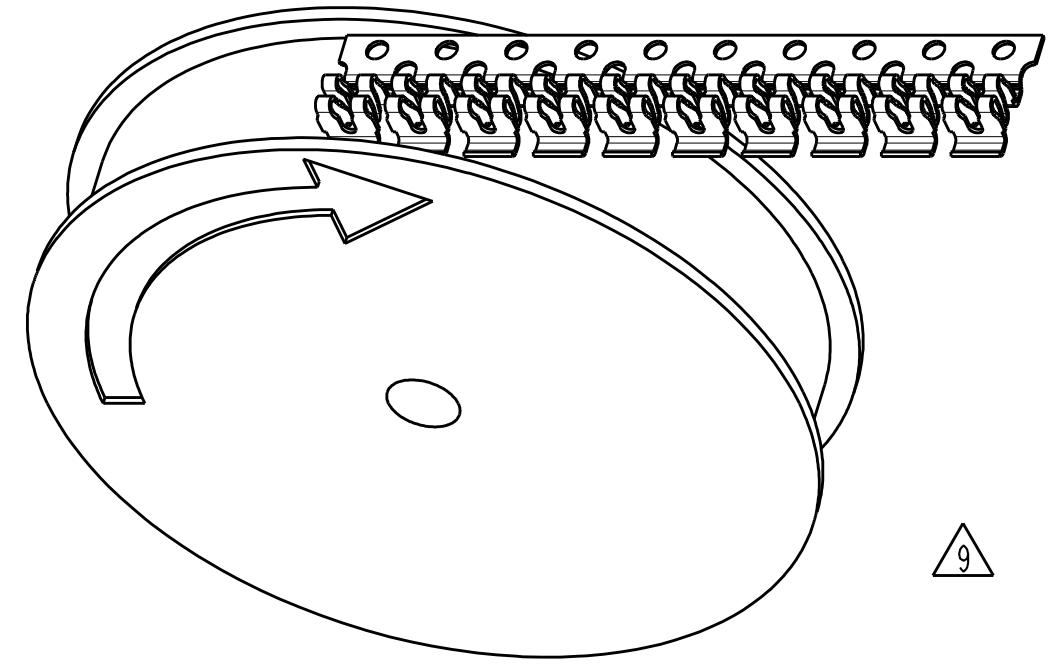


spec ref	-			dr	James Sabo	2014/03/18	projection	mm	size	A3	scale	10:1	
tolerance std	TOLERANCES UNLESS OTHERWISE SPECIFIED			eng	Johann Julliet	2017/11/21			ecn no			ELX-F-27377-1	
ISO 406				chr	Johann Julliet	2017/11/21			rel level			Released	
ISO 1101				appr	Aymeric Soudy	2017/11/21	product family			-			
surface		linear	0.X	±0.3			TERMINAL, GRIPLET,™ SMT				10127850C		C
			0.XX	±0.05			20-30AWG						
			0.XXX	±0.025									
ISO 1302		angular	0°	±2°	www.fci.com	cat. no.	-			Product - Customer Drw		sheet 2 of 3	

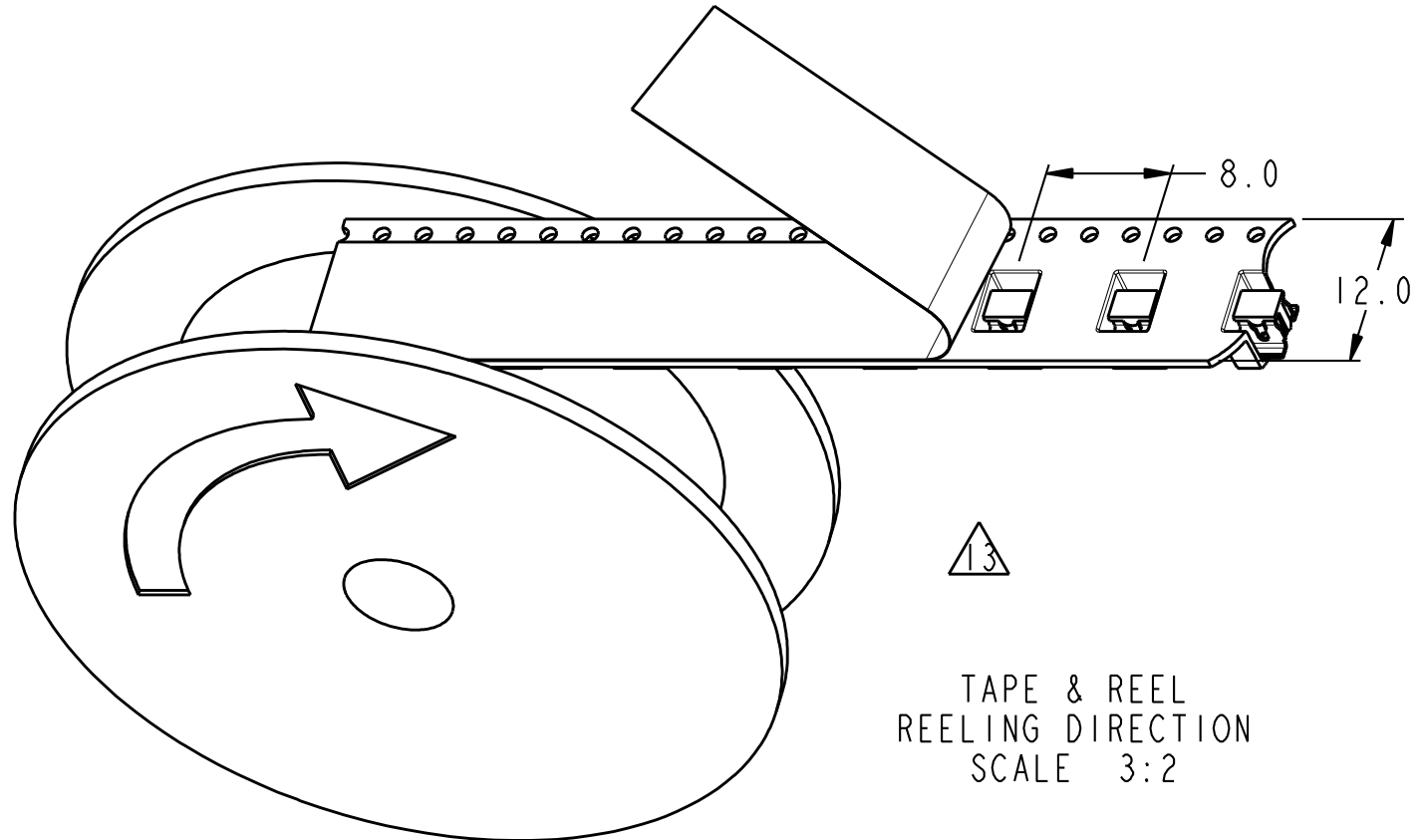
REV	DATE	RESPONSIBLE ENGINEER	PURPOSE
1	21FEB2014	J. SABO	ORIGINAL
2	31OCT2014	J. SABO	ADD COINING. REV SOLDER-PAD.
A	13APR2015	J. SABO	ADD T&R AND T-CAP.
B	03JUN2015	J. SABO	DIMENSION T-CAP. ADD AS-STAMPED REELING. ADDED PN FOR W/O CAP IN T&R.
C	21NOV2017	J. JUILLET	UPDATE PACKAGING DATA



PICK & PLACE  
T-CAP SEATING  
SCALE 15:1



AS-STAMPED  
REELING DIRECTION  
SCALE 2:1



TAPE & REEL  
REELING DIRECTION  
SCALE 3:2



spec ref	-	dr	James Sabo	2014/03/18	projection	mm	size	A3	scale	10:1
tolerance std	ISO 406 ISO 1101	TOLERANCES UNLESS OTHERWISE SPECIFIED			eng	Johann Juillet	2017/11/21	ecn no	ELX-F-27377-1	
surface	linear	0.X	±0.3		Amphenol FCi	www.fci.com	cat. no.	-	Product - Customer Drw	sheet 3 of 3
		0.XX	±0.05							
		0.XXX	±0.025							
ISO 1302	angular	0°	±2°		TERMINAL, GRIPLET, SMT	20-30AWG	dwg no	10127850C	rev	C