



Chipsmall Limited consists of a professional team with an average of over 10 year of expertise in the distribution of electronic components. Based in Hongkong, we have already established firm and mutual-benefit business relationships with customers from,Europe,America and south Asia,supplying obsolete and hard-to-find components to meet their specific needs.

With the principle of “Quality Parts,Customers Priority,Honest Operation,and Considerate Service”,our business mainly focus on the distribution of electronic components. Line cards we deal with include Microchip,ALPS,ROHM,Xilinx,Pulse,ON,Everlight and Freescale. Main products comprise IC,Modules,Potentiometer,IC Socket,Relay,Connector.Our parts cover such applications as commercial,industrial, and automotives areas.

We are looking forward to setting up business relationship with you and hope to provide you with the best service and solution. Let us make a better world for our industry!



Contact us

Tel: +86-755-8981 8866 Fax: +86-755-8427 6832

Email & Skype: info@chipsmall.com Web: www.chipsmall.com

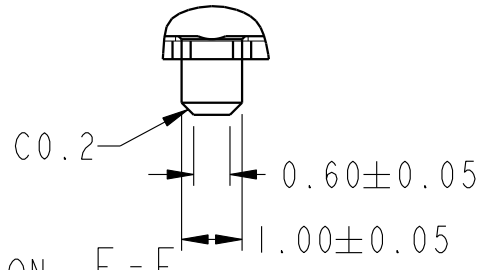
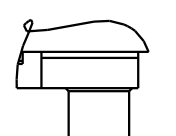
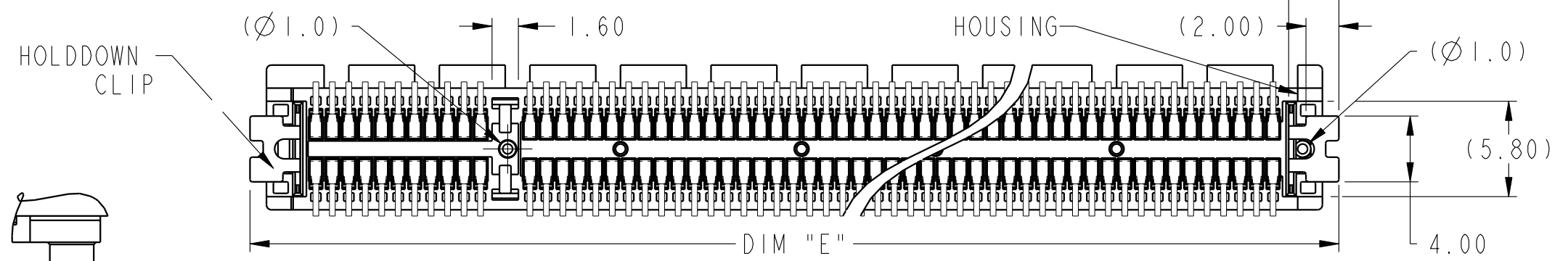
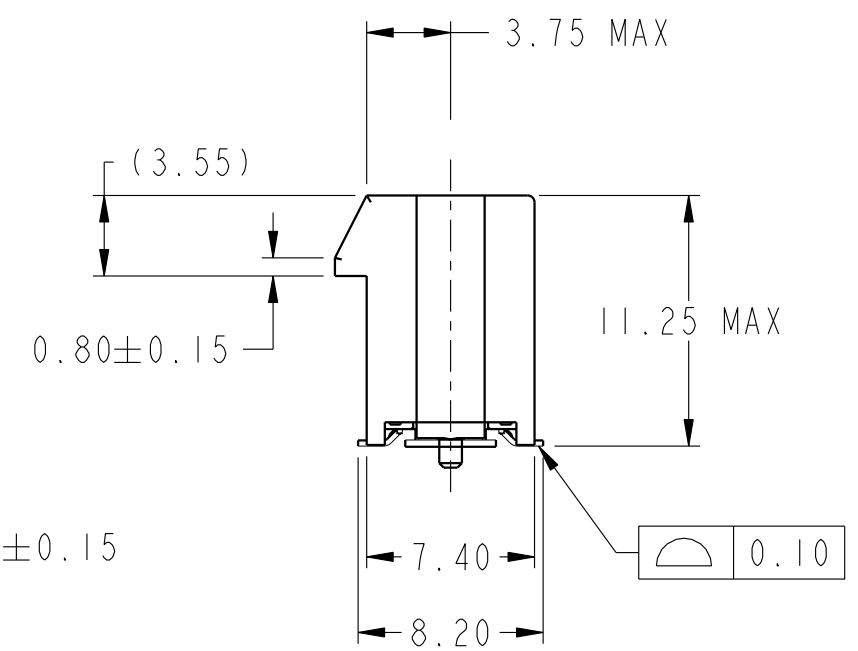
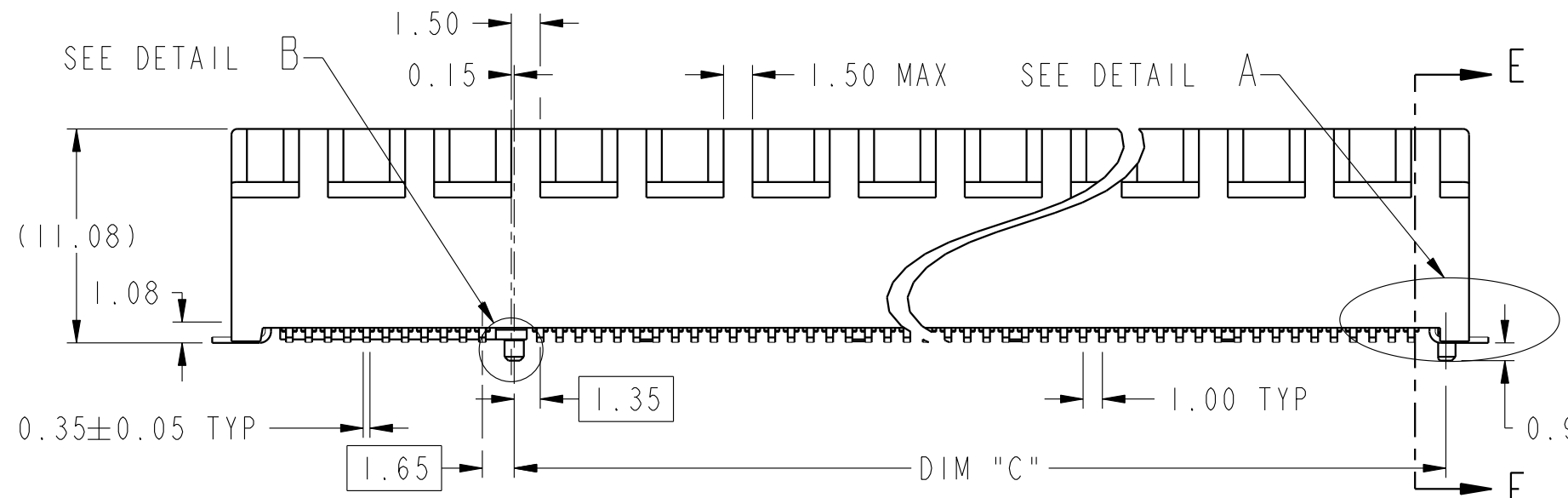
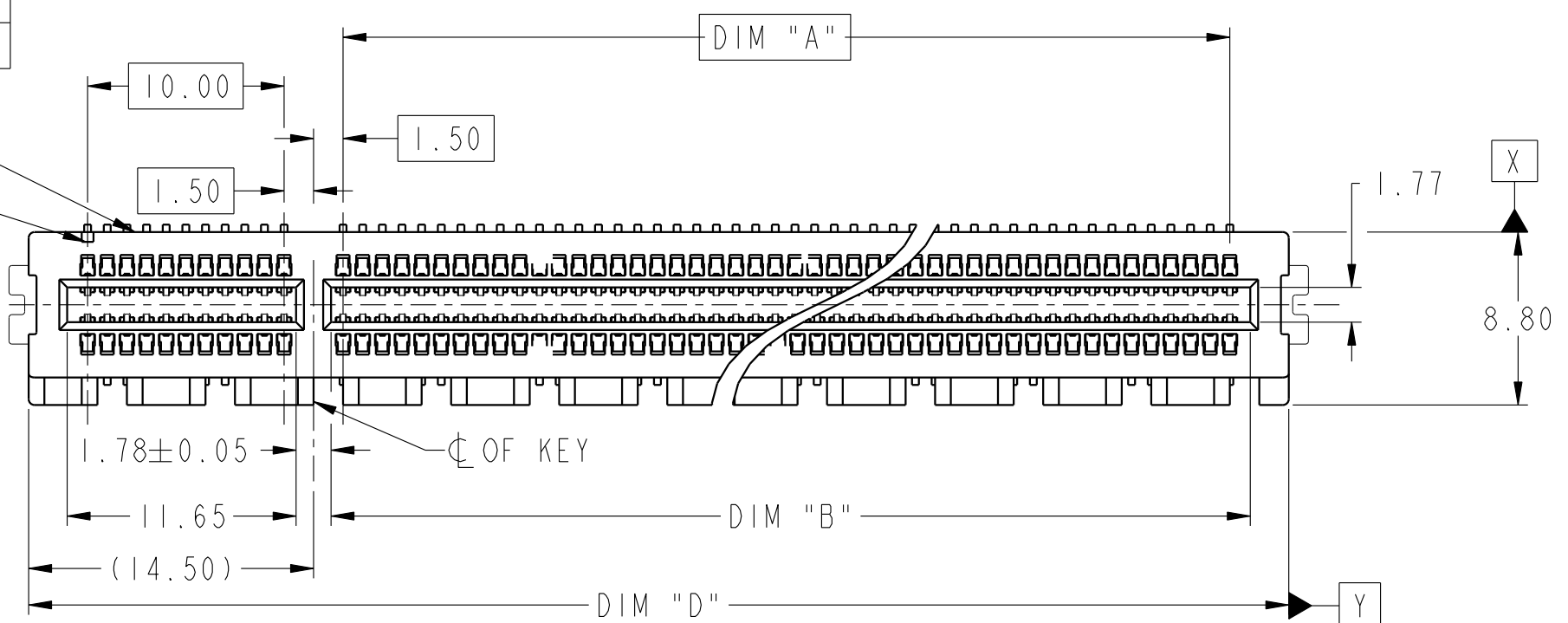
Address: A1208, Overseas Decoration Building, #122 Zhenhua RD., Futian, Shenzhen, China



PRODUCT PARTNUMBER
10128241-XXXXOLF

PARTNO &
DATECODE

#AI IDENTIFIER



DETAIL B
SCALE 8:1

SECTION E-E
SCALE 8:1

PRELIMINARY

spec ref	-	dr	M. Cheong	2016-04-26	projection	MM	size	A3	scale	3:1	
tolerance std	ISO 406 ISO 1101	eng	M. Cheong	2017-11-10			ecn no	rel level			In Work
TOLERANCES UNLESS OTHERWISE SPECIFIED		chr					product family	PCI express			
surface	linear	appr			PCI Express 4.0		dwg no	10128241		rev	8
ISO 1302	angular				SMT Type		Product - Customer Drw		sheet 1 of 4		

Amphenol FCI

www.fci.com

PCI Express 4.0
SMT Type

cat. no. -

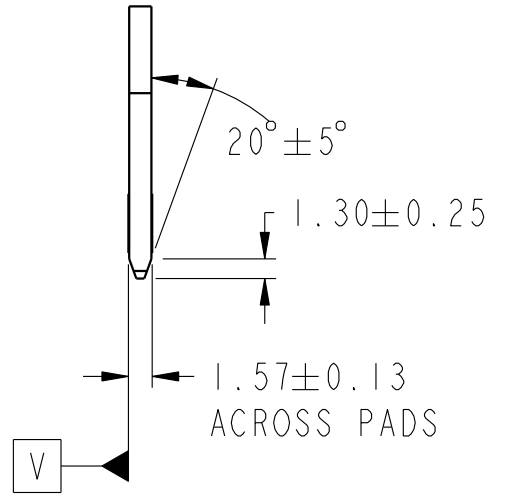
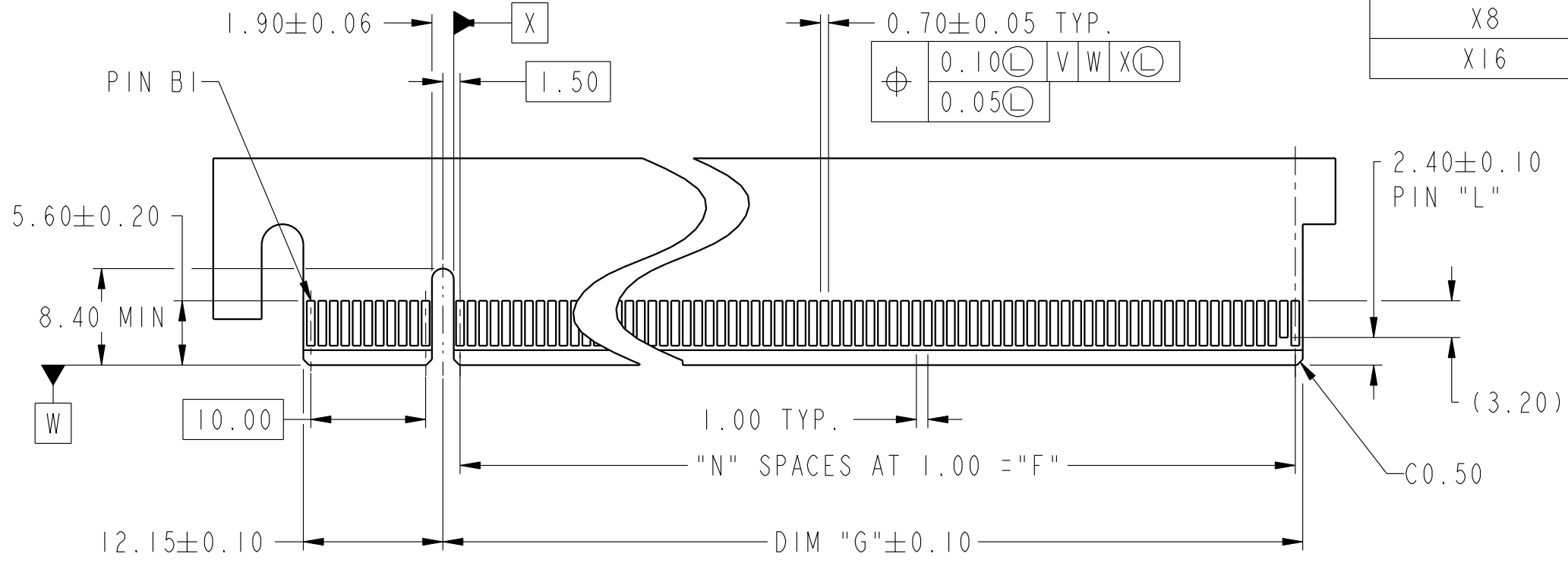
Product - Customer Drw

sheet 1 of 4

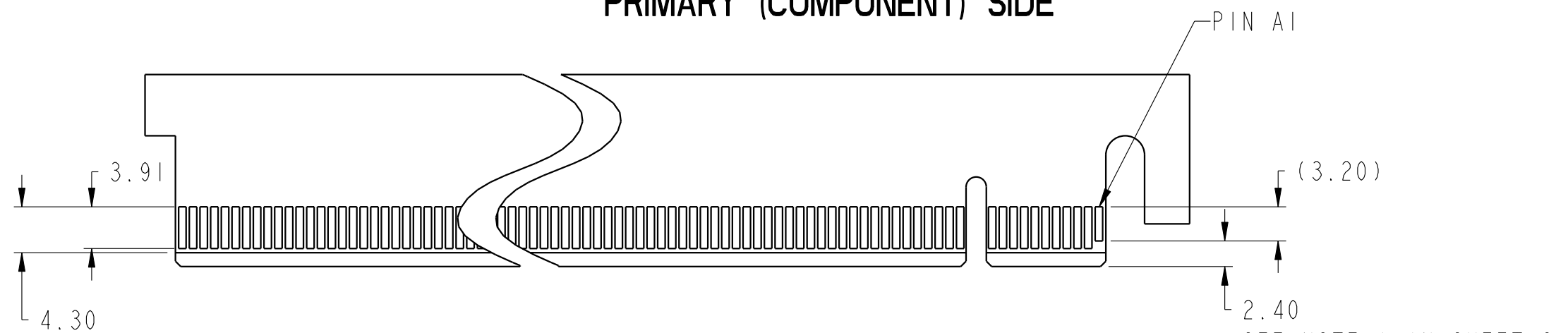
Amphenol FCI

© 2016 AFCI

CONNECTOR LINK WIDTH	POSITION	N	DIM "G"	DIM "F"	PIN "L"
X1	36	6	8.15	6.00	B17
X4	64	20	22.15	20.00	B31
X8	98	37	39.15	37.00	B48
X16	164	70	72.15	70.00	B81



← I/O PANEL DIRECTION
PRIMARY (COMPONENT) SIDE



I/O PANEL DIRECTION →
SECONDARY (SOLDER) SIDE

PRELIMINARY

1. NO TIE BAR PERMITTED FROM CARD EDGE TO LEADING EDGE OF PAD FOR PIN AI AND PIN "L".
2. CHAMFER EDGES MUST BE FREE OF CUTTING BURRS.
3. TOLERANCE : ± 0.13

spec ref	-	dr	M. Cheong	2016-04-26	projection	MM	size	A3	scale	2:1
tolerance std	ISO 406 ISO 1101	eng	M. Cheong	2017-11-10			ecn no		rel level	
TOLERANCES UNLESS OTHERWISE SPECIFIED		chr								
surface	linear	appr			product family	PCI express	rel level		In Work	
ISO 1302	angular	Amphenol FCI www.fci.com		PCI Express 4.0 SMT Type		cat. no.	Product - Customer Drw	rel level	In Work	rev
	0.X ±0.30									8
	0.XX ±0.20									
	0.XXX ±0.1									
	0° ±2°									
							cat. no.	Product - Customer Drw	sheet 2 of 4	

Amphenol FCI

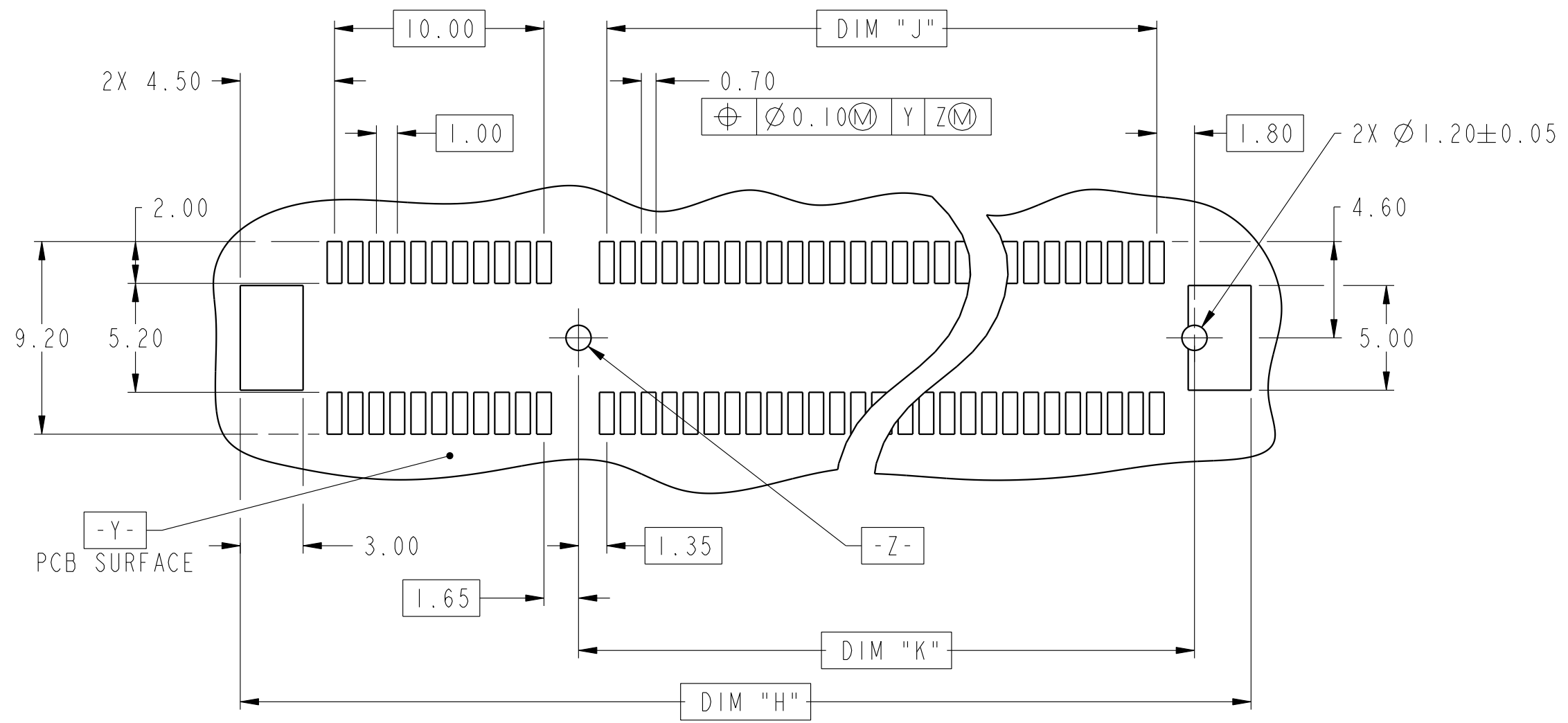
© 2016 AFCI

1

2

3

4



RECOMMENDED PCB LAYOUT, PAD TYPE

DIMENSIONS								
POSITION	A	B ^{+0.15} / _{-0.05}	C ±0.10	D ±0.23	E ±0.20	H ±0.10	J	K ±0.10
36	6.00	7.65	9.15	25.00	27.00	28.00	6.00	9.15
64	20.00	21.65	23.15	39.00	41.00	42.00	20.00	23.15
98	37.00	38.65	40.15	56.00	58.00	59.00	37.00	40.15
164	70.00	71.65	73.15	89.00	91.00	92.00	70.00	73.15

PRELIMINARY

spec ref	-	dr	M. Cheong	2016-04-26	projection	MM	size	A3	scale	4:1
tolerance std	ISO 406 ISO 1101	TOLERANCES UNLESS OTHERWISE SPECIFIED			eng	M. Cheong	2017-11-10	ecn no		
surface	-	chr			appr		product family	PCI express	rel level In Work	
ISO 1302	linear	0.X	±0.30	Amphenol FCI		PCI Express 4.0		dwg no		10128241
	angular	0°	±2°	www.fci.com		SMT Type		rev		8
					cat. no.	-	Product - Customer Drw			sheet 3 of 4

1

2

3

4

Amphenol FCI

© 2016 AFCI

PRODUCT NUMBER CODE

10128241 - □□□□ 0LF

HOUSING COLOR

0: WHITE
1: BLACK

CONTACT AREA PLATING

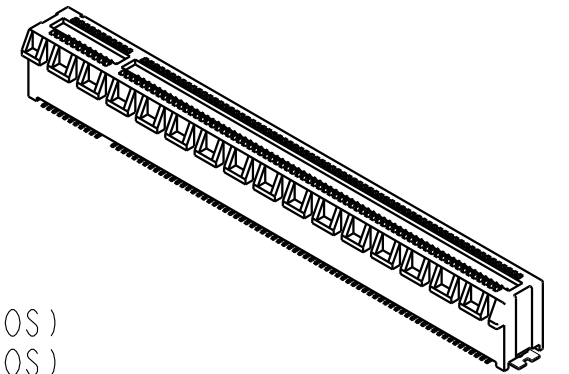
1: 30u" Au
2: 15u" Au

PACKAGING OPTIONS

A: HARD TRAY (DIM: 323 x 136 x 19) WITH KAPTON TAPE (164 POS)
C: SOFT TRAY (317.5 x 235 x 18) WITH PICK-UP CAP (36 & 64 POS)
T: SOFT TRAY (317.5 x 235 x 18) WITH KAPTON TAPE (36 & 64 POS)
X: HARD TRAY (DIM: 330 x 235 x 19.3) WITH PICK UP CAP (98 & 164 POS)
Y: HARD TRAY (DIM: 330 x 235 x 19.3) WITH KAPTON TAPE (98 & 164 POS)
Z: HARD TRAY (DIM: 330 x 235 x 19.3) WITH KAPTON TAPE, 86MM (164 POS)

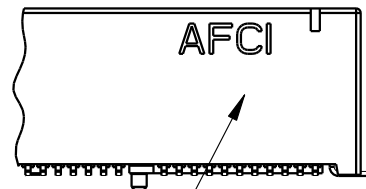
NO. OF POSITION

0: 36 POSITIONS
1: 64 POSITIONS
2: 98 POSITIONS
3: 164 POSITIONS



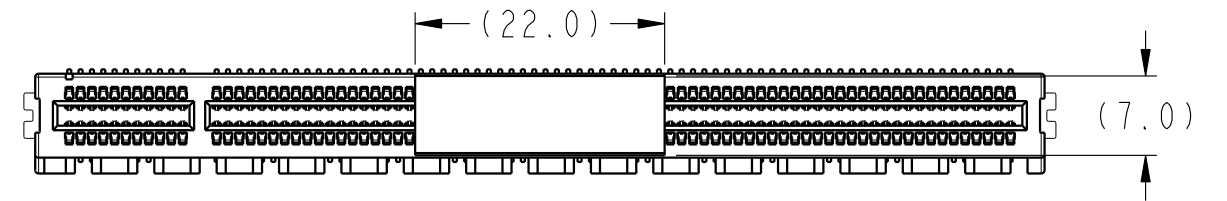
NOTES:

- MATERIAL:**
HOUSING: HIGH PERFORMANCE RESINS, GLASS FILLED, UL94V-0
CONTACT: COPPER ALLOY.
METAL PADS: COPPER ALLOY
- PLATING:**
CONTACT: UNDERPLATE: 50u" NICKEL OVER ALL.
SOLDER AREA: 100u" TIN (LEAD FREE).
MATING AREA: SEE PRODUCT NUMBER CODE.
HOLDDOWN CLIP: 100u" TIN OVER 50 u" NICKEL.
- PRODUCT SPECIFICATION:** GS-12-1406
- PRODUCT MEETS EUROPEAN UNION DIRECTIVES AND OTHER COUNTRY REGULATIONS AS DESCRIBED IN GS-22-008.**
- DATE CODE "MMDDYYL", MMDDYY IS ASSEMBLY DATE. L IS AFCI PRODUCTION SITE.**
- THIS PRODUCT MEETS EUROPEAN UNION DIRECTIVES AND OTHER COUNTRY REGULATIONS AS DESCRIBED IN GS-47-004.**
- THE HOUSING WILL WITHSTAND EXPOSURE TO 260° PEAK TEMPERATURE FOR 10 SECONDS IN A CONVECTION, INFRA-RED OR VAPOR PHASE REFLOW OVEN.**

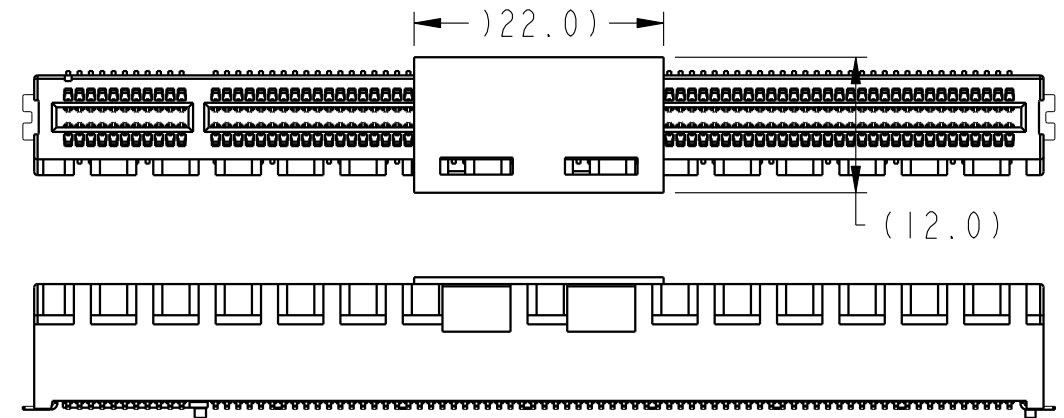


DATA CODE & PARTNO

POSITION OF KAPTON TAPE



POSITION OF PICK UP CAP



PRELIMINARY

spec ref -		dr M. Cheong	2016-04-26	projection	MM	size A3	scale 2:1
tolerance std		eng M. Cheong	2017-11-10			ecn no	
ISO 406	TOLERANCES UNLESS OTHERWISE SPECIFIED	chr				rel level	
ISO 1101		appr		product family		PCI express	
surface		linear	Amphenol FCI		PCI Express 4.0		rev 8
		0.X	±0.30	www.fci.com	cat. no.	Product - Customer Drw	sheet 4 of 4
		0.XX	±0.20	PCI Express 4.0		10128241	
		0.XXX	±0.1	SMT Type			
	angular	0°	±2°				

© 2016 AFCI Amphenol FCI