



Chipsmall Limited consists of a professional team with an average of over 10 year of expertise in the distribution of electronic components. Based in Hongkong, we have already established firm and mutual-benefit business relationships with customers from,Europe,America and south Asia,supplying obsolete and hard-to-find components to meet their specific needs.

With the principle of “Quality Parts,Customers Priority,Honest Operation,and Considerate Service”,our business mainly focus on the distribution of electronic components. Line cards we deal with include Microchip,ALPS,ROHM,Xilinx,Pulse,ON,Everlight and Freescale. Main products comprise IC,Modules,Potentiometer,IC Socket,Relay,Connector.Our parts cover such applications as commercial,industrial, and automotives areas.

We are looking forward to setting up business relationship with you and hope to provide you with the best service and solution. Let us make a better world for our industry!



Contact us

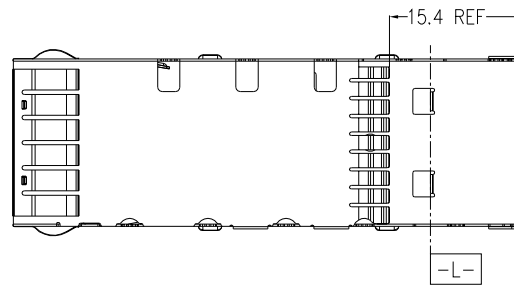
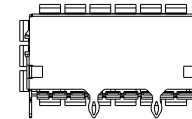
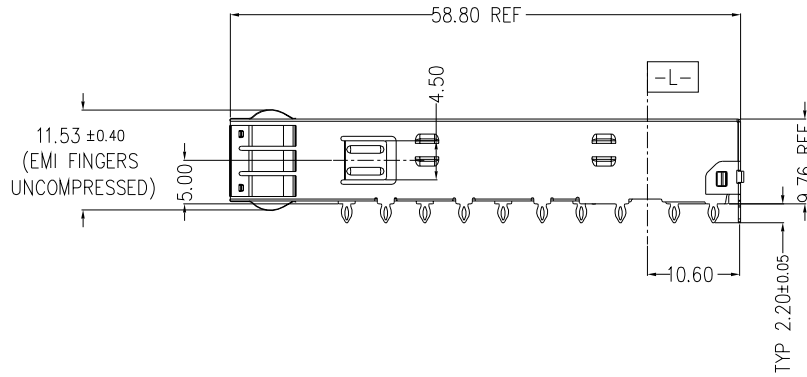
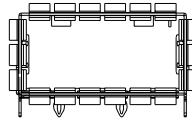
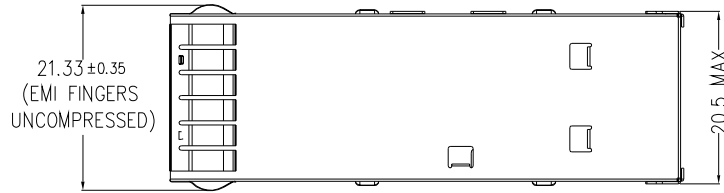
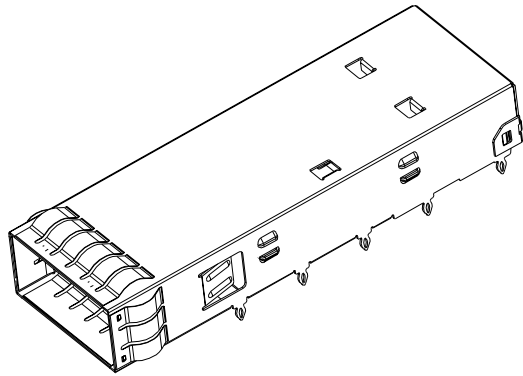
Tel: +86-755-8981 8866 Fax: +86-755-8427 6832

Email & Skype: info@chipsmall.com Web: www.chipsmall.com

Address: A1208, Overseas Decoration Building, #122 Zhenhua RD., Futian, Shenzhen, China



10128765-001LF



Copyright FCI.

NOTE:

| 1, | DESCRIPTION | Q'ty | MATERIAL | PLATING |
|----|-------------|------|--------------|------------|
| 01 | QSFP CAGE | 1PCS | COPPER ALLOY | NI Plated |
| 02 | EMI FINGERS | 4PCS | COPPER ALLOY | NI FOR ALL |

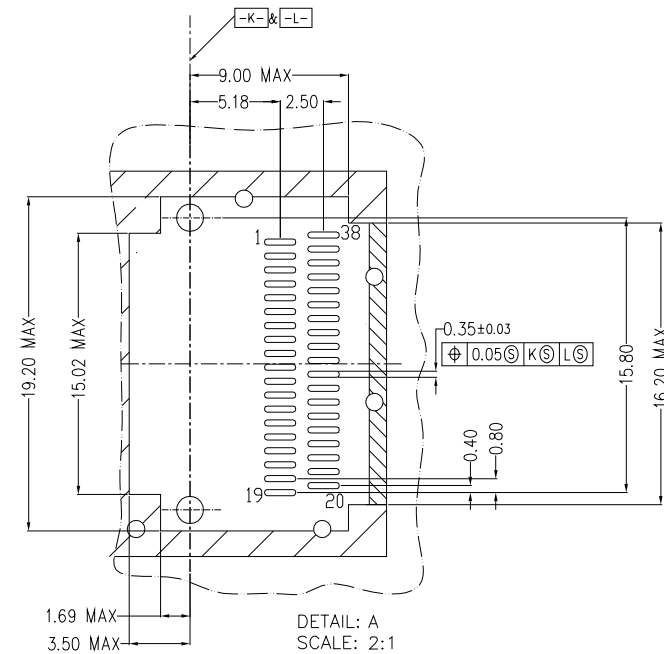
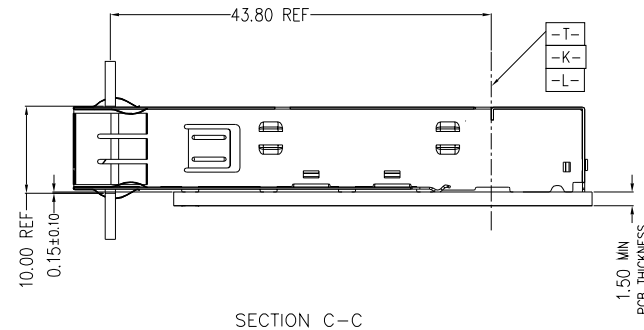
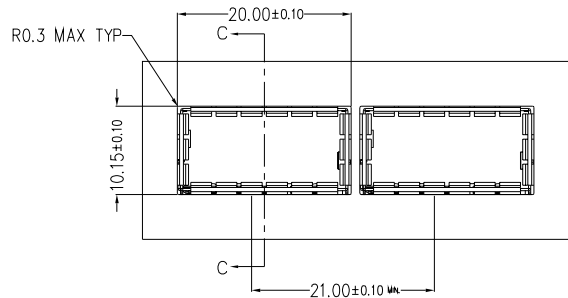
2, TEMPERATURE:
 OPERATION: -40°C~+85°C
 STORAGE: -55°C~+105°C

| rev | ecn no | dr | date |
|-----|--------|-------|------------|
| A | | Jason | 05/20/2014 |
| B | | Jason | 10/16/2014 |
| | | | |
| | | | |
| | | | |

| | | | | | | | |
|----------------------|------------|------------|---------------------------------------|-----------------|-----------------|--------------------|--------|
| www.fciconnect.com | | | surface - ✓ | tolerance std - | projection | MM | |
| | | | TOLERANCES UNLESS OTHERWISE SPECIFIED | | | Scale NTS | |
| Dr | LinA | 2014-10-30 | ANGULAR | 0.X | ± 0.25 | size A3 | |
| Eng | LinA | 2014-10-30 | | LINEAR | 0.XX | | ± 0.20 |
| Chr | - | | | 0° ± 0.5° | 0.XXX | | ± 0.10 |
| Appr | Collins Lu | 2014-10-30 | Product family | | | ECN elx-dg-19247-1 | |
| title QSFP+ 1*1 CAGE | | | | | | Spec ref - | |
| catalog no | | | - | | dwg no 10128765 | Rev. C | |
| | | | | | CUSTOMER | sheet 1 of 3 | |

REV F - 2006-04-17

PCB LAYOUT FOR SINGLE SIDED APPLICATION



NOTES:

- SEE QSFP MSA SPECIFICATION FOR BEZEL LOCATION TOLERANCE
- DATUM -A- IS TIP SURFACE OF HOST BOARD PER MSA
- FINISHED HOLE SIZE (AFTER PLATING)
- DATUM -K- IS HOST BOARD THRE HOLE #1 TO ACCEPT CONNECTOR GUIDE POST PER MSA
- DATUM -L- IS HOST BOARD THRE HOLE #2 TO ACCEPT CONNECTOR GUIDE POST PER MSA
- DATUM -T- IS HARD STOP ON CAGE PER MSA

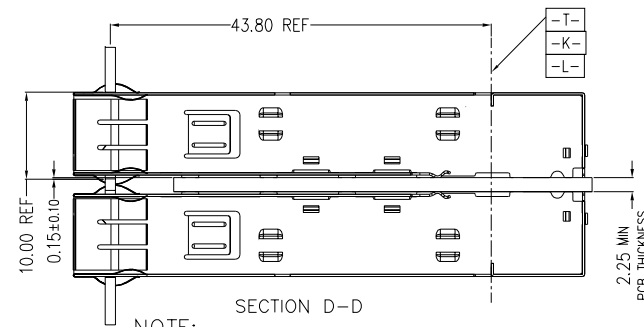
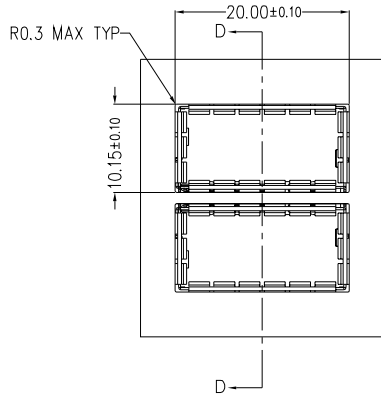


Copyright FCI.

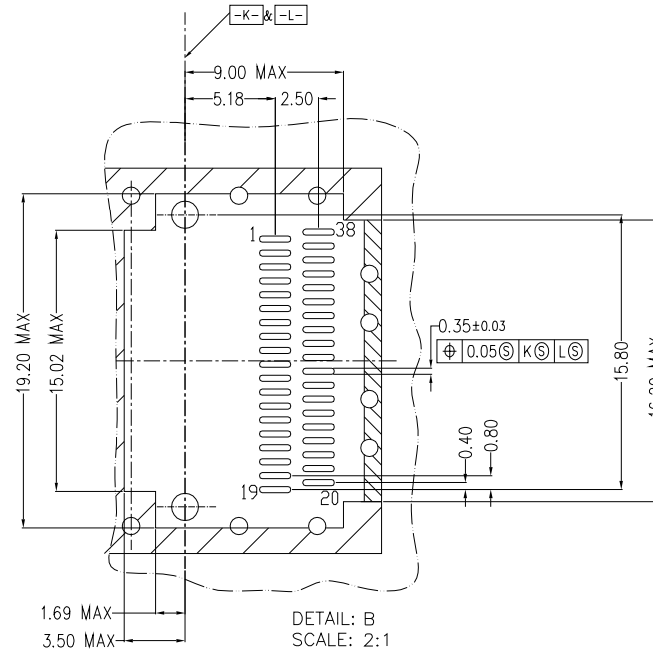
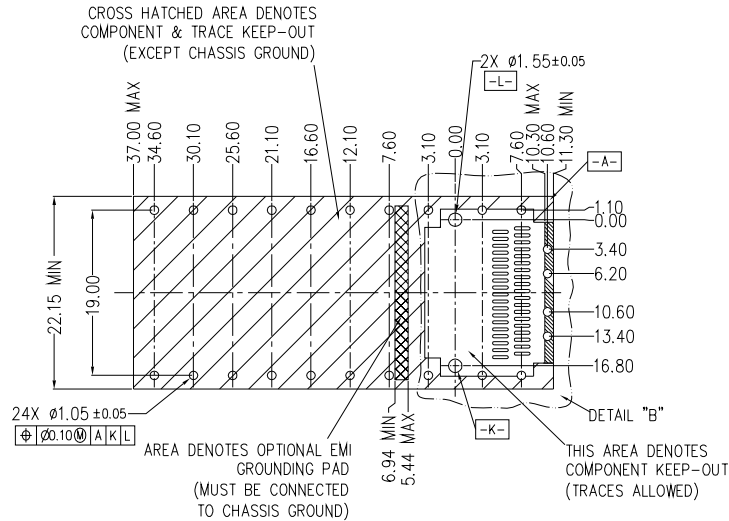
| | | | | | | | |
|--------------------|------------|---------------------------------------|----------------|---------------|-----------------|--------------------|--------------|
| www.fciconnect.com | | surface | - | tolerance std | - | projection | MM |
| | | TOLERANCES UNLESS OTHERWISE SPECIFIED | | | | size | Scale |
| Dr | LinA | 2014-10-30 | ANGULAR | 0.X | ±0.25 | A3 | NTS |
| Eng | LinA | 2014-10-30 | LINEAR | 0.XX | ±0.20 | ECN elx-dg-19247-1 | |
| Chr | - | | 0° ±0.5° | 0.XXX | ±0.10 | Spec ref - | |
| Appr | Collins Lu | 2014-10-30 | Product family | | | - | |
| FCI | | title QSFP+ 1*1 CAGE | | | dwg no 10128765 | | Rev. C |
| | | catalog no - | | | CUSTOMER | | sheet 2 of 3 |

REV F - 2006/04/17

PCB LAYOUT FOR BELLY TO BELLY APPLICATION



NOTE:
BEZEL CUTOUT LOCATIONS FOR BELLY TO BELLY APPLICATIONS
ARE DEPENDENT ON PCB THICKNESS



NOTES:

1. SEE QSFP MSA SPECIFICATION FOR BEZEL LOCATION TOLERANCE
2. DATUM -A- IS TIP SURFACE OF HOST BOARD PER MSA
3. FINISHED HOLE SIZE (AFTER PLATING)
4. DATUM -K- IS HOST BOARD THRE HOLE #1 TO ACCEPT CONNECTOR GUIDE POST PER MSA
5. DATUM -L- IS HOST BOARD THRE HOLE #2 TO ACCEPT CONNECTOR GUIDE POST PER MSA
6. DATUM -T- IS HARD STOP ON CAGE PER MSA

| | | | | | |
|--------------------|------------|---------------------------------------|-----------------|-----------------|--------------------|
| www.fciconnect.com | | surface - ✓ | tolerance std - | projection - | MM |
| | | TOLERANCES UNLESS OTHERWISE SPECIFIED | | ← → | |
| Dr | LinA | 2014-10-30 | ANGULAR | 0.X ±0.25 | size A3 |
| Eng | LinA | 2014-10-30 | LINEAR | 0.XX ±0.20 | Scale NTS |
| Chr | - | | 0° ±0.5° | 0.XXX ±0.10 | ECN elx-dg-19247-1 |
| Appr | Collins Lu | 2014-10-30 | Product family | | Spec ref - |
| FCj | | title QSFP+ 1*1 CAGE | | dwg no 10128765 | |
| catalog no - | | CUSTOMER | | sheet 3 of 3 | |
| | | | | Rev. C | |