



Chipsmall Limited consists of a professional team with an average of over 10 year of expertise in the distribution of electronic components. Based in Hongkong, we have already established firm and mutual-benefit business relationships with customers from,Europe,America and south Asia,supplying obsolete and hard-to-find components to meet their specific needs.

With the principle of “Quality Parts,Customers Priority,Honest Operation,and Considerate Service”,our business mainly focus on the distribution of electronic components. Line cards we deal with include Microchip,ALPS,ROHM,Xilinx,Pulse,ON,Everlight and Freescale. Main products comprise IC,Modules,Potentiometer,IC Socket,Relay,Connector.Our parts cover such applications as commercial,industrial, and automotives areas.

We are looking forward to setting up business relationship with you and hope to provide you with the best service and solution. Let us make a better world for our industry!



Contact us

Tel: +86-755-8981 8866 Fax: +86-755-8427 6832

Email & Skype: info@chipsmall.com Web: www.chipsmall.com

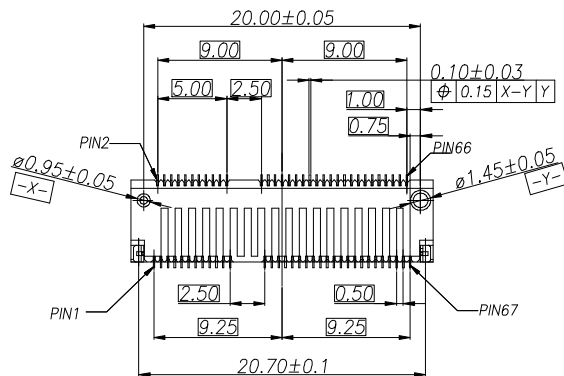
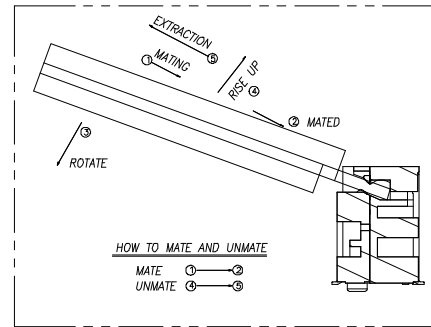
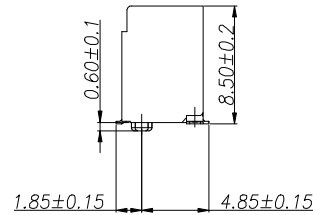
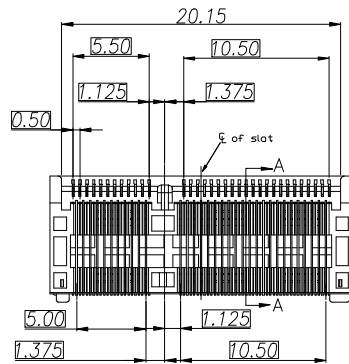
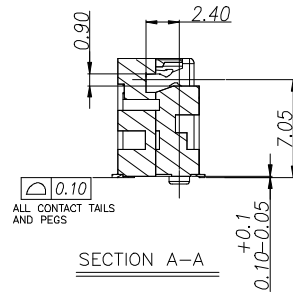
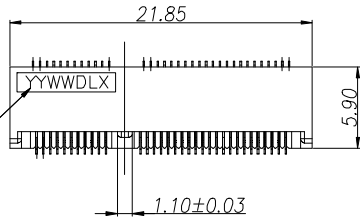
Address: A1208, Overseas Decoration Building, #122 Zhenhua RD., Futian, Shenzhen, China



HF
Halogen Free

PF

DATE CODE
SEE NOTES 4



30u" Au	10128797-005RLF
15u" Au	10128797-004RLF
GOLD FLASH	10128797-001RLF
CONTACT AREA	FCI P/N

NOTES:

- MATERIAL:
 - HOUSING: HIGH TEMPERATURE THERMOPLASTIC, UL94V-0, COLOR: BLACK
 - CONTACTS: COPPER ALLOY;
 - PEG: STAINLESS STEEL.
- REFLOW SOLDER CAPABLE TO 260°C.
- FINISH:

CONTACT:

 - 50u" MIN NICKEL UNDERPLATING OVERALL.
 - CONTACT AREA: GOLD PLATED (SEE TABLE)
 - SOLDER AREA: GOLD FLASH 1u" MIN.

PEG:

 - 50u" MIN. NICKEL UNDERPLATING OVERALL.
 - 80u" MIN. MATTE-TIN PLATED ON SURFACE.
- DATE CODE : YYWWDLX
 - YY: YEAR (09: 2009)
 - WW: WEEK (25: THE 25TH WEEK)
 - D: DAY (1~7: SUNDAY~SATURDAY)
 - L: LINE NUMBER OF ASSEMBLY (A: LINE A)
 - X: D OR N (D: DAY; N: NIGHT)
- PRODUCT SPECIFICATION SEE FCI GS-12-1195
- PART NO:
10128797-00XRLF

LF: LEAD FREE & RoHS COMPLIANCE

PACKAGE CODE:
R: TAPE & REEL PACKING

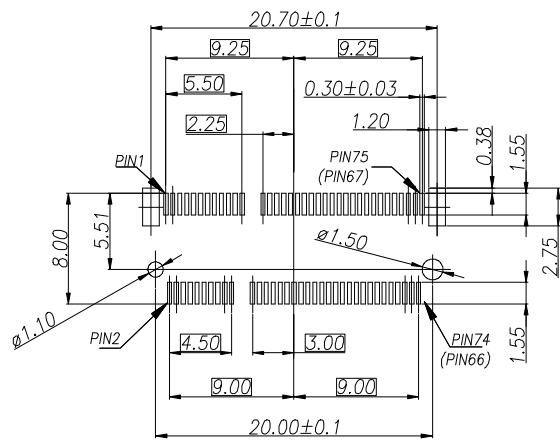
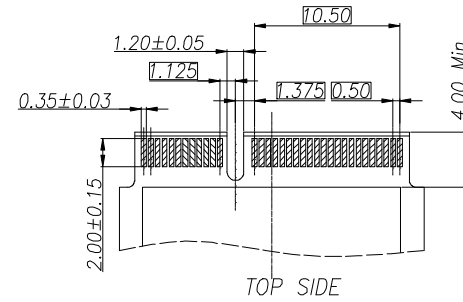
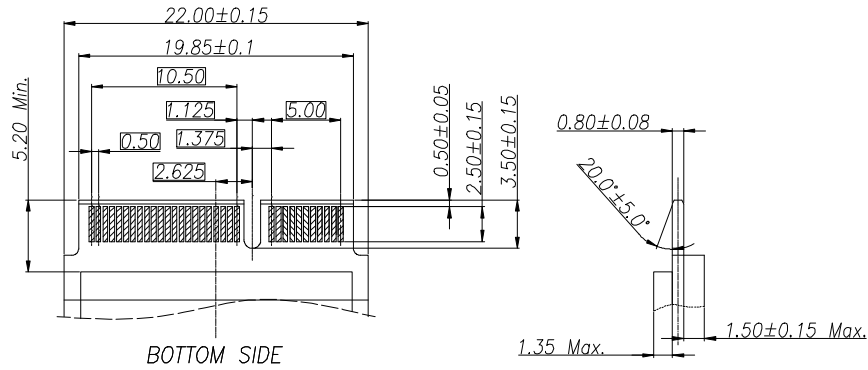
PLATING CODE:
1: 1u"Min GOLD FLASH ON CONTACT AREA
4: 15u"Min GOLD ON CONTACT AREA
5: 30u"Min GOLD ON CONTACT AREA

mat'l. code		surface		tolerance		projection		product family	
ltr		ecn no		dr		date		title	
A		BF		2013-04-18		angles		M.2 CONNECTOR	
B		ELX-T-19318		TAI		2014-11-10		8.5H_STD_KEY E	
						.X ±0.3		sheet 1 of 3	
						.XX ±0.25		size	
						.XXX ±0.05		A4	
						scale		type	
						dr		Customer Drawing	
						engr		10128797	
						chr		FCI	
						appd		type	
						BEER FU		Customer Drawing	
						2013-05-02			
						2013-05-02			
						2013-05-02			
						2013-05-02			
sheet index		revision sheet		B 1		B 2		B 3	

HF
Halogen Free

~~Pb~~

PLUG PCB



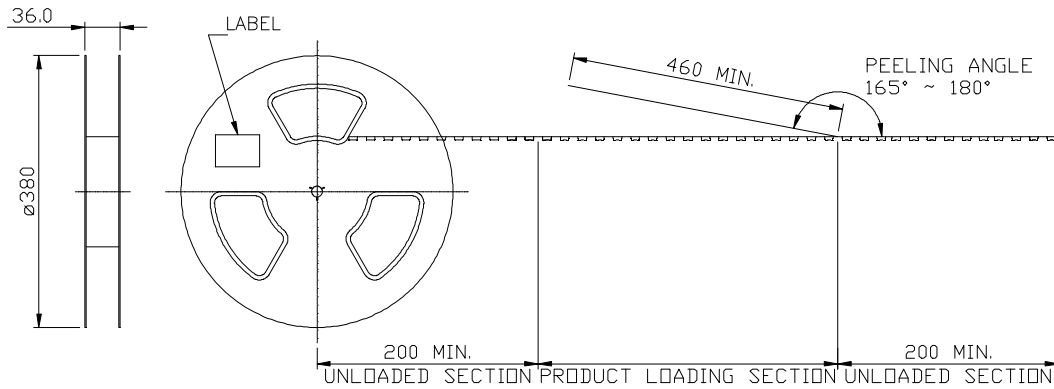
RECOMMENDED PCB LAYOUT
THICKNESS: 1.20 ± 0.05 mm

	dwg no	sheet 2 of 3	size
	10128797		A4
	type Customer Drawing		

sheet index	revision sheet	B 1	B 2	B 3																
-------------	----------------	-----	-----	-----	--	--	--	--	--	--	--	--	--	--	--	--	--	--	--	--

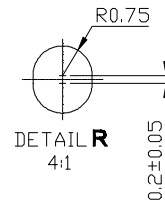
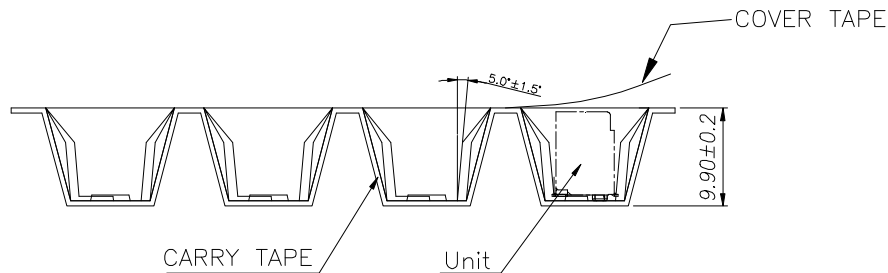
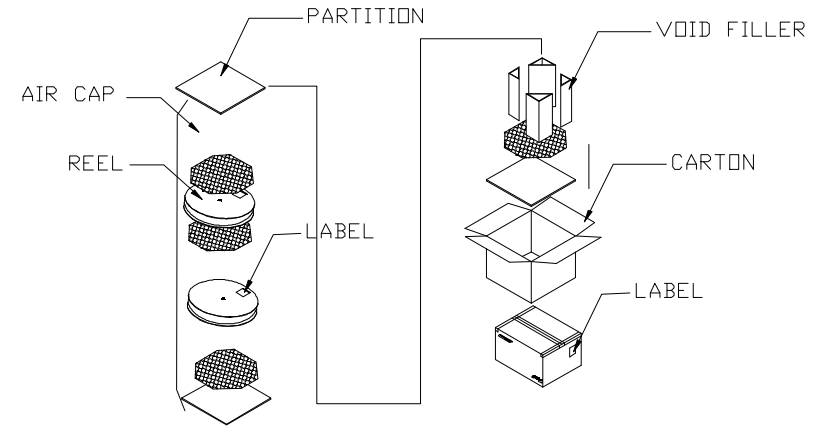
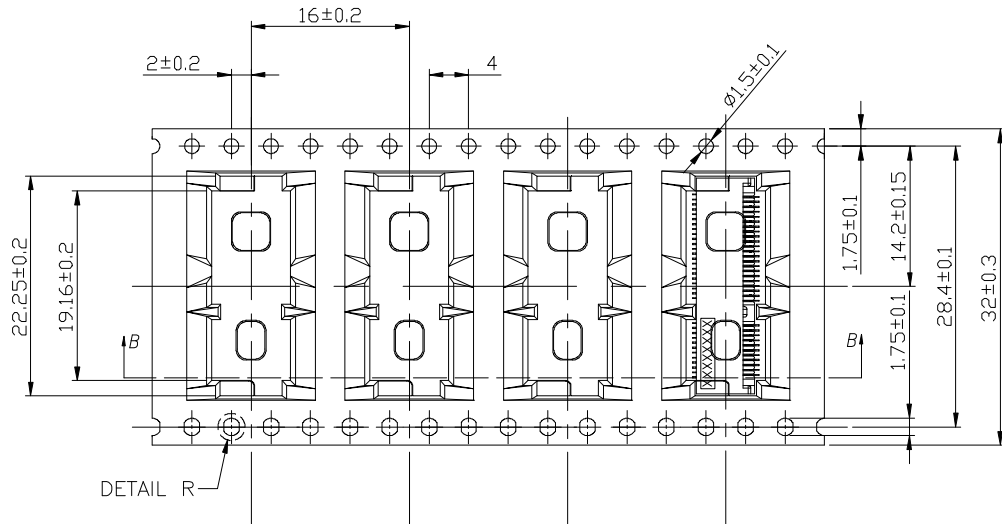
HF
Halogen Free

RoHS



NOTES :

- MATERIAL :
COVER TAPE : ANTISTATIC P.S T=0.05±0.01 ,COLOR:CLEAR
CARRIER TAPE : ANTISTATIC P.S T=0.40±0.10,COLOR:BLACK
REEL : PS UL94V-0
CARTON: CORRUGATED FIBER
- DIMENSION :
REEL : SEE DRAWING
SHIPPING BOX: 385X385X225mm
- QUANTITY : SEE TABLE
- PEELING RESISTANCE : 10gf~130gf (for 12~56mm)
- PEELING SPEED : 300mm/MINUTES



5.35KG	3.525KG	500	5	2500
GROSS WEIGHT	NET WEIGHT	PCS/ REEL	REEL/ CARTON	PCS/ CARTON



dwg no	sheet 3 of 3	size
10128797		A4
type	Customer Drawing	

sheet index	revision sheet	B 1	B 2	B 3															
-------------	----------------	-----	-----	-----	--	--	--	--	--	--	--	--	--	--	--	--	--	--	--