



Chipsmall Limited consists of a professional team with an average of over 10 year of expertise in the distribution of electronic components. Based in Hongkong, we have already established firm and mutual-benefit business relationships with customers from,Europe,America and south Asia,supplying obsolete and hard-to-find components to meet their specific needs.

With the principle of “Quality Parts,Customers Priority,Honest Operation,and Considerate Service”,our business mainly focus on the distribution of electronic components. Line cards we deal with include Microchip,ALPS,ROHM,Xilinx,Pulse,ON,Everlight and Freescale. Main products comprise IC,Modules,Potentiometer,IC Socket,Relay,Connector.Our parts cover such applications as commercial,industrial, and automotives areas.

We are looking forward to setting up business relationship with you and hope to provide you with the best service and solution. Let us make a better world for our industry!



Contact us

Tel: +86-755-8981 8866 Fax: +86-755-8427 6832

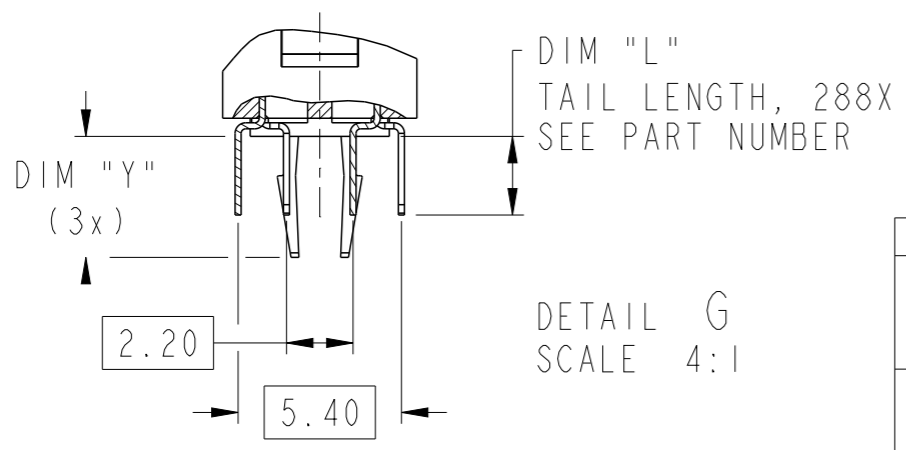
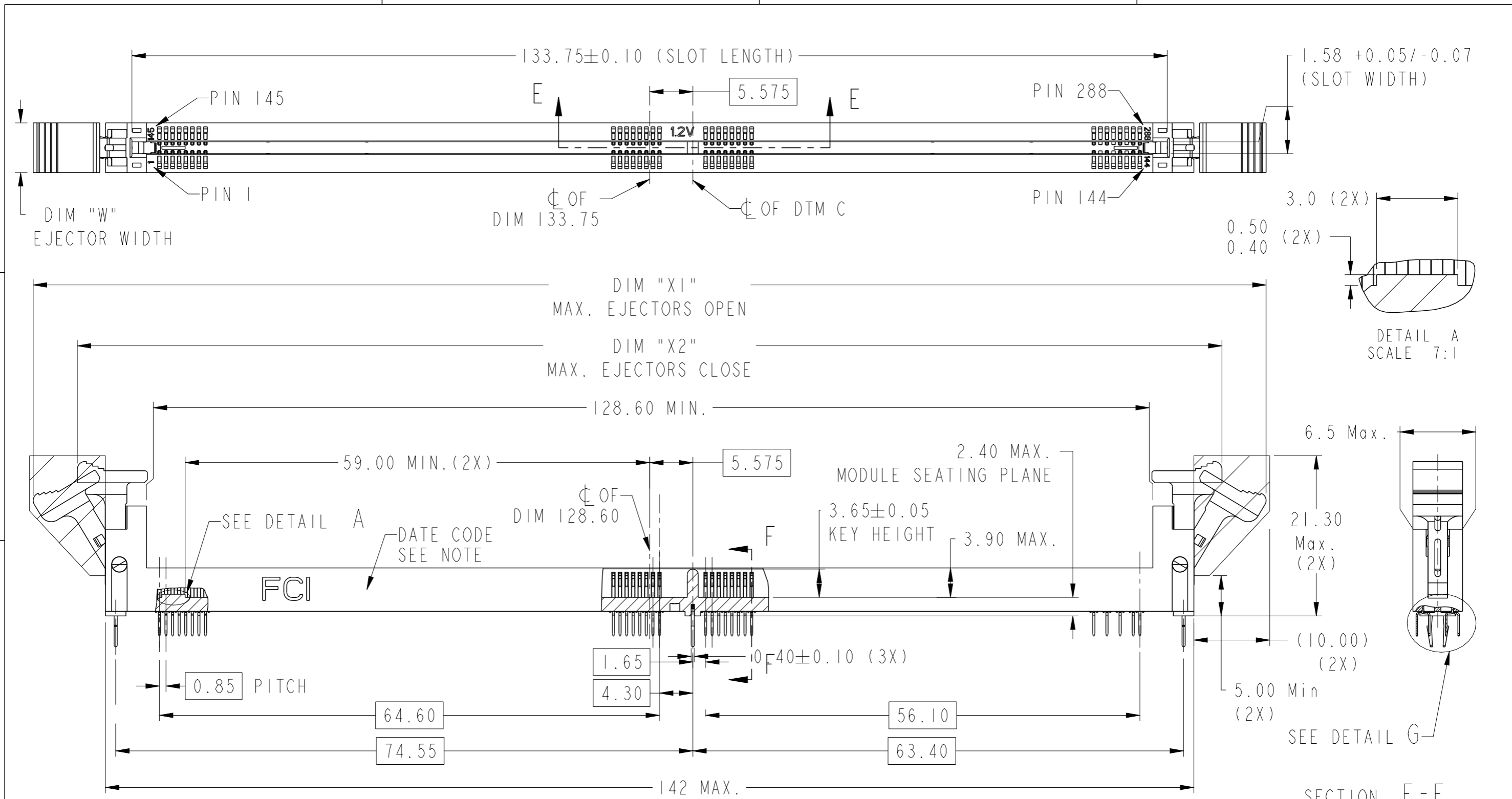
Email & Skype: info@chipsmall.com Web: www.chipsmall.com

Address: A1208, Overseas Decoration Building, #122 Zhenhua RD., Futian, Shenzhen, China



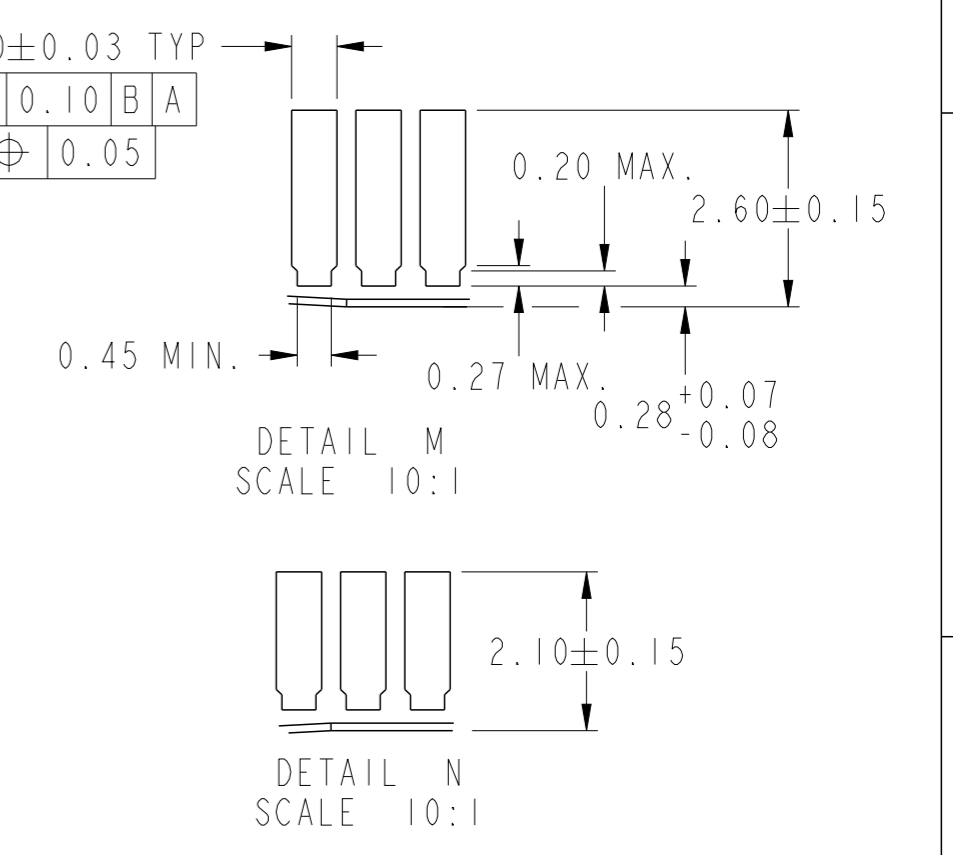
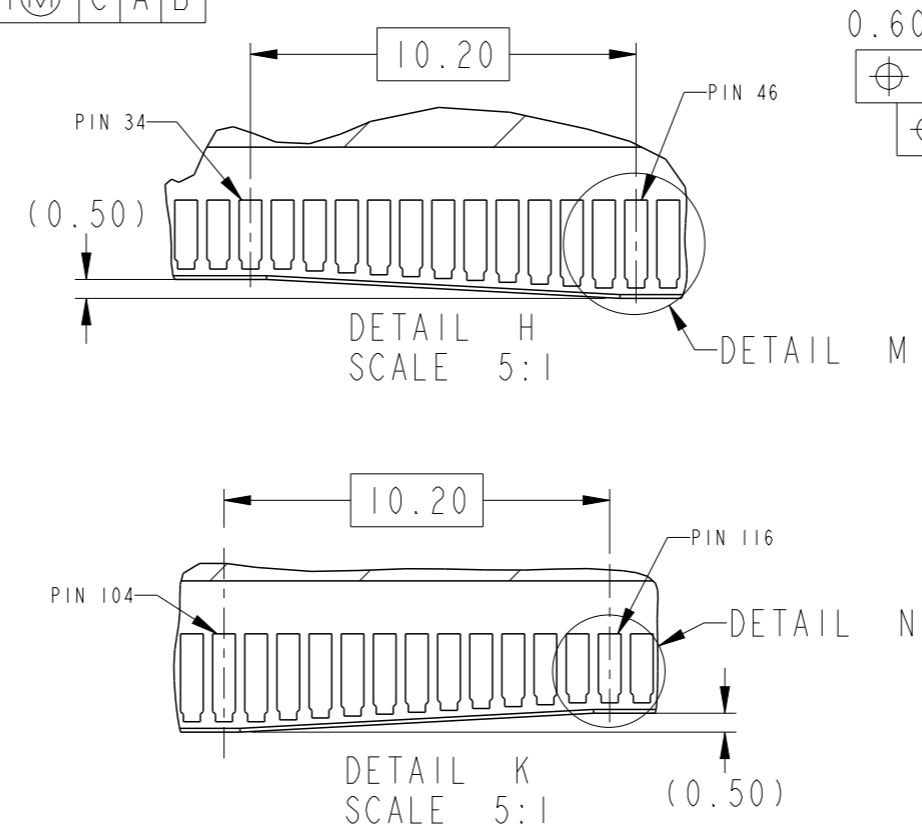
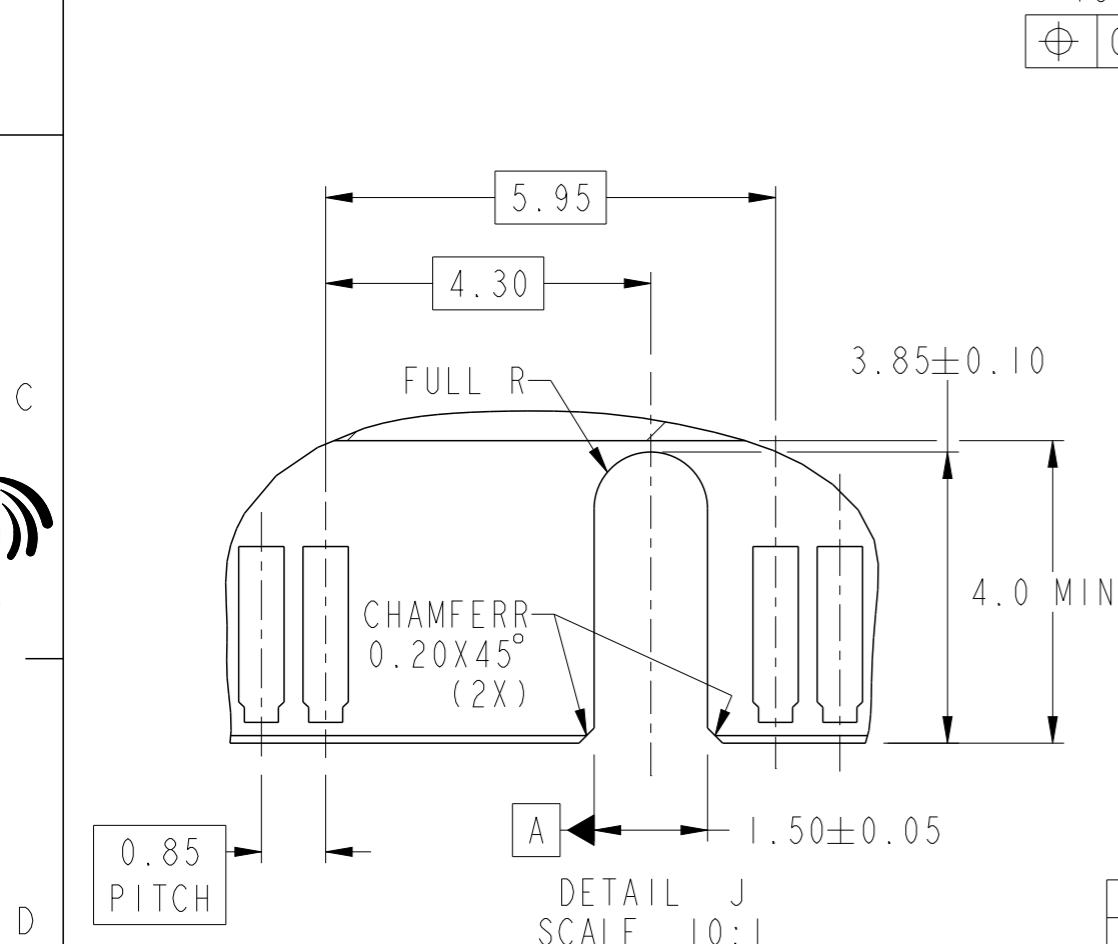
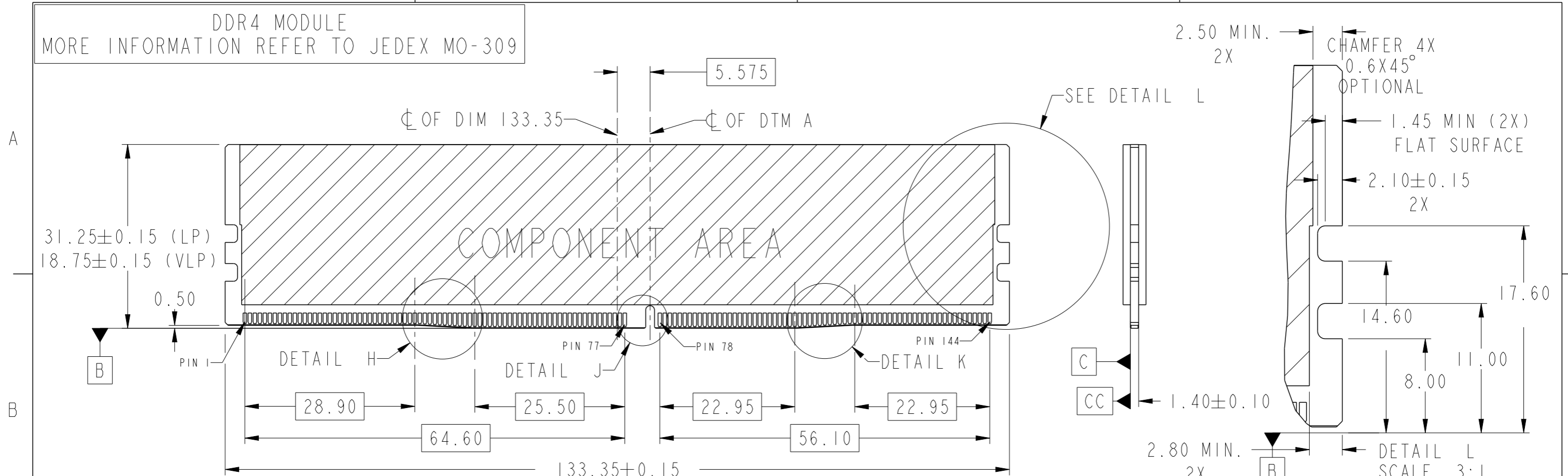


Copyright FCI.



spec ref	dr	Nickor Zuo	2014/02/04	projection	MM	size	A3	scale	7:5	
tolerance std	eng	Jeny Ren	2015/07/17			ecn no	ELX-DG-21430-1			
TOLERANCES UNLESS OTHERWISE SPECIFIED	chr	Nickor Zuo	2015/07/20			rel level	Released			
	appr	Pei-Ming Zheng	2015/07/20			product family	-			
surface	linear	0.X	±0.30			cat. no.	-		Product - Customer Drw	
		0.XX	±0.20			dwg no	10129040		rev	
		0.XXX	±0.10						C	
ISO 1302	angular	0°	±2°	www.fci.com		sheet	1 of 5			

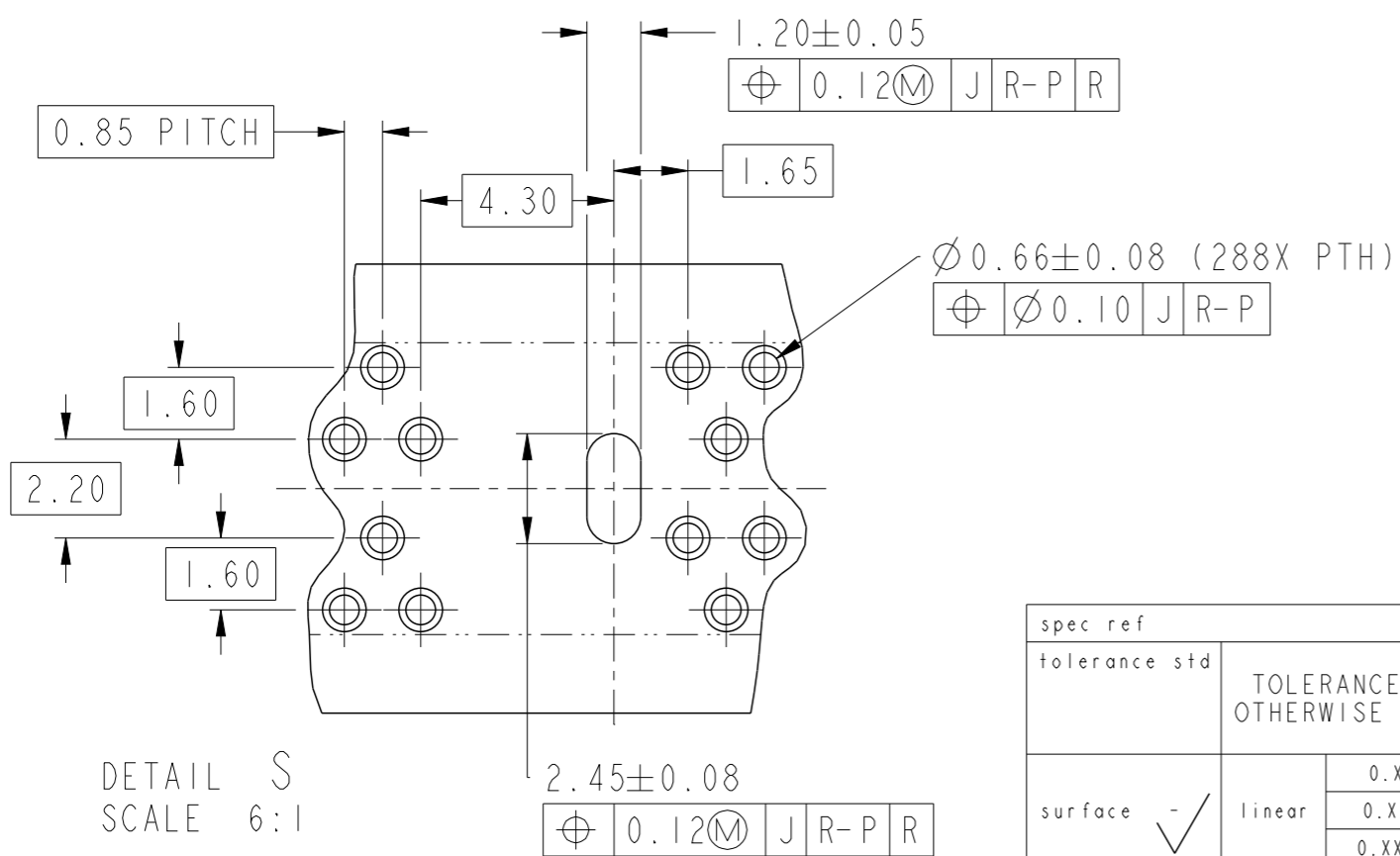
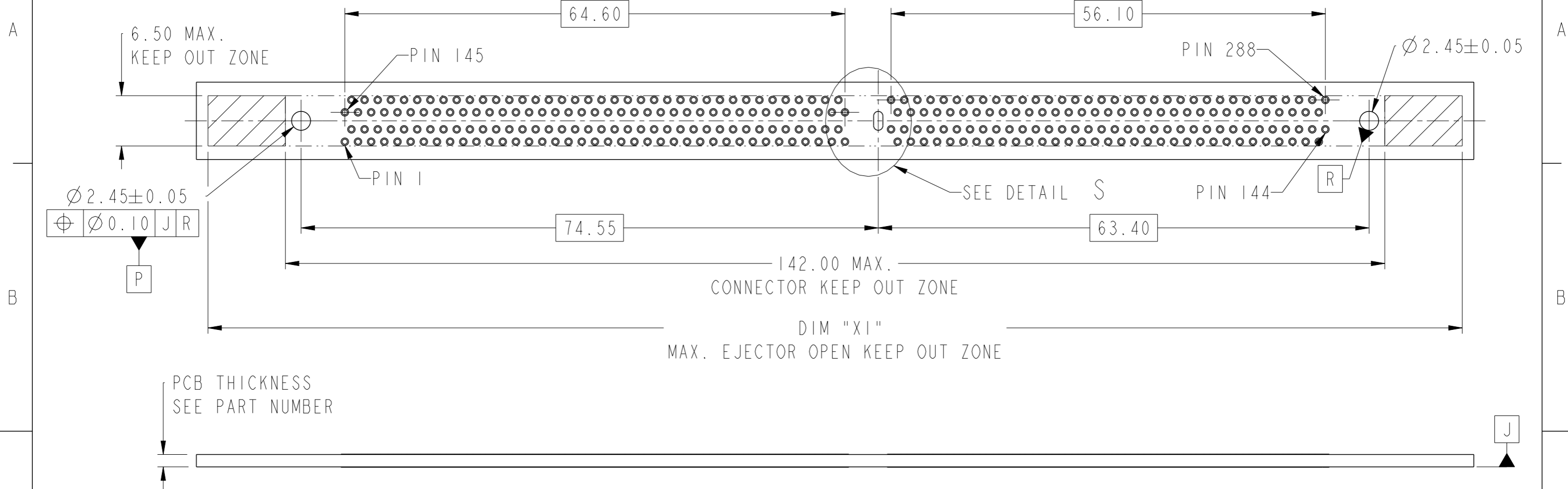
DDR4 MODULE
MORE INFORMATION REFER TO JEDEX MO-309



spec ref	dr	Nickor Zuo	2014/02/04	projection	MM	size	A3	scale	1:1		
tolerance std	eng	Jeny Ren	2015/07/17			ecn no	ELX-DG-21430-1				
TOLERANCES UNLESS OTHERWISE SPECIFIED	chr	Nickor Zuo	2015/07/20			rel level	Released				
	surface	appr	Pei-Ming Zheng	2015/07/20	product family	-					
ISO 1302	linear	0.X	±0.30		DDR4 288Pin DIMM CONNECTOR PTH TERMINATION (FOR CISCO)	dwg no 10129040	rev C	cat. no.		-	
	linear	0.XX	±0.20					Product - Customer Drw		sheet 2 of 5	
	linear	0.XXX	±0.10					PDS: Rev :C		STATUS:Released	
	angular	0°	±2°	www.fci.com		Printed: Jul 21, 2015					

Copyright FCI.

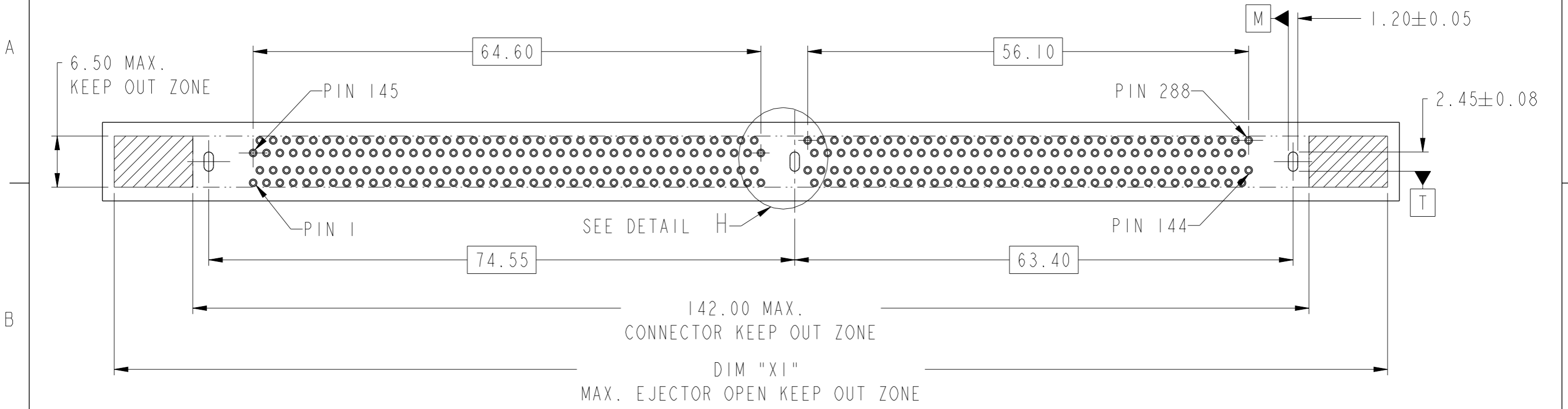
RECOMMENDED PCB LAYOUT OPTION I



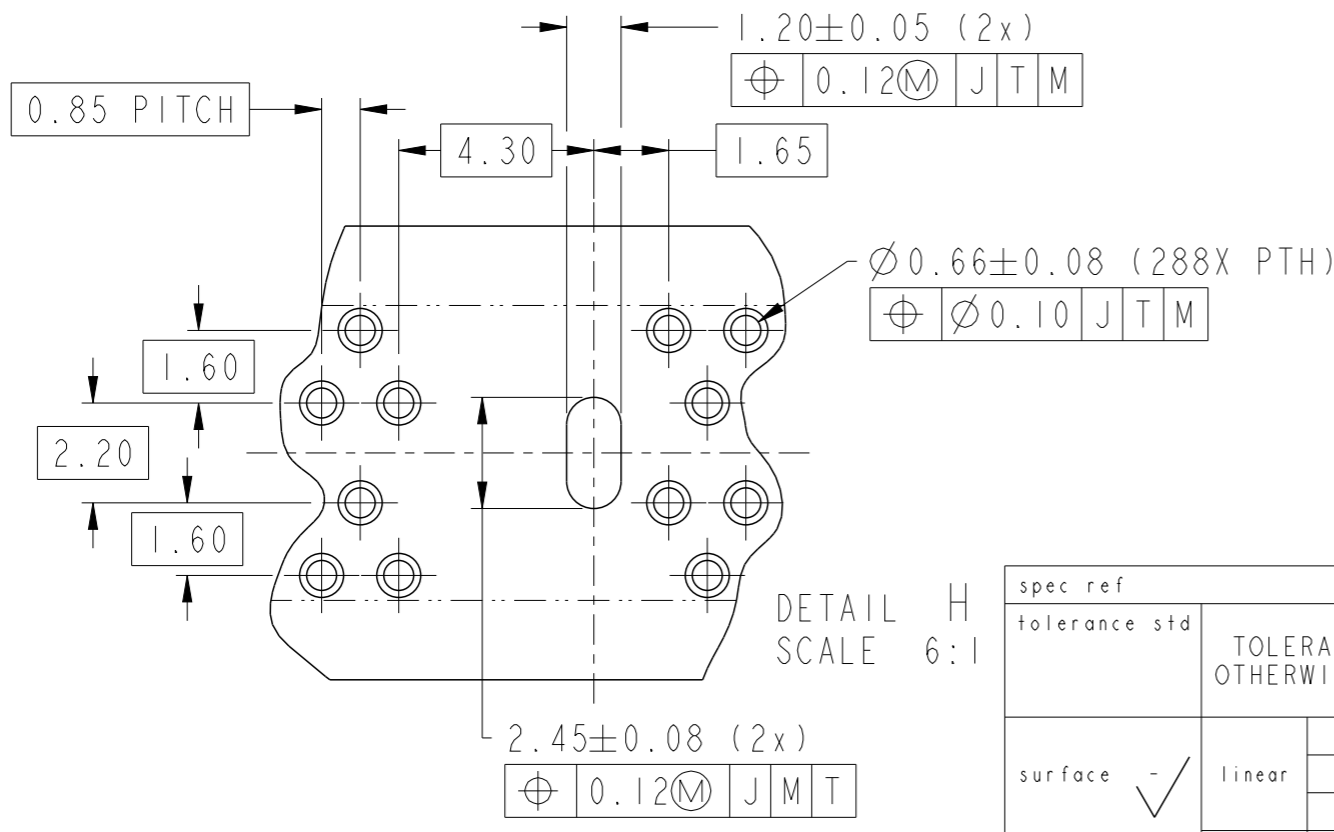
DETAIL S
SCALE 6:1

spec ref	dr	Nickor Zuo	2014/02/04	projection	MM	size	A3	scale	2:1
tolerance std	eng	Jeny Ren	2015/07/17			ecn no	ELX-DG-21430-1		
TOLERANCES UNLESS OTHERWISE SPECIFIED		chr	Nickor Zuo			2015/07/20	rel level	Released	
surface	ISO 1302	appr	Pei-Ming Zheng	2015/07/20	product family			cat. no.	-
linear	0.X ±0.30			product name	DDR4 288Pin DIMM CONNECTOR		dwg no	10129040	rev
linear	0.XX ±0.20	www.fci.com		product name	PTH TERMINATION (FOR CISCO)				C
linear	0.XXX ±0.10			product name	Product - Customer Drw				
angular	0° ±2°			product name	Product - Customer Drw				sheet 3 of 5

RECOMMENDED PCB LAYOUT OPTION2



PCB THICKNESS
SEE PART NUMBER



DETAIL H
SCALE 6:1

spec ref	dr	Nickor Zuo	2014/02/04	projection	MM	size	A3	scale	1:1
tolerance std	eng	Jeny Ren	2015/07/17			ecn no	ELX-DG-21430-1		
TOLERANCES UNLESS OTHERWISE SPECIFIED	chr	Nickor Zuo	2015/07/20			rel level	Released		
	appr	Pei-Ming Zheng	2015/07/20			product family	-		
surface	linear	0.X	±0.30		DDR4 288Pin DIMM CONNECTOR PTH TERMINATION (FOR CISCO)	dwg no 10129040	rev		
ISO 1302		0.XX	±0.20						C
	angular	0°	±2°				cat. no. - Product - Customer Drw		

PRODUCT PART NUMBER

10129040-□□□□□□□□

ADDITIONAL REQUIREMENTS

0: RoHS COMPLIANT

HOLD DOWNS CONFIGURATIONS

0: 3 FORKLOCKS, DIM "Y"=4.00±0.25
 1: 3 FORKLOCKS, DIM "Y"=2.50±0.25
 2: 3 FORKLOCKS, DIM "Y"=3.78±0.25

DIM "L", TAIL LENGTH

0: 2.60±0.25
 1: 3.20±0.25
 3: 2.40±0.25
 4: 2.10+0.25/-0.15
 5: 2.95±0.25
 6: 2.80±0.15

HOUSING COLOR

0: NATURAL
 1: BLACK
 2: BLUE

EJECTOR TYPE

CODE	COLOR	DIM"X1" MAX. EJECTORS OPEN DISTANCE	DIM"X2" MAX. EJECTORS CLOSE DISTANCE	DIM"W" EJECTOR WIDTH
0	NATURAL	162.00	149.00	(6.42)
1	BLACK			
2	BLUE			

TAIL PLATING

LF: 100u" MIN. MATE TIN
 TL: 100u" MIN. TIN LEAD

CONTACT AREA PLATING

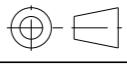
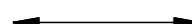

CODE	CONTACT AREA	UNDERPLATING
1	15u" MIN. GOLD	50u" MIN. NICKEL
3	30u" MIN. GOLD	
4	30u" MIN. GXT	
5	15u" MIN. GXT	90u" MIN. NICKEL
6	30u" MIN. GOLD	
7	15u" MIN. GOLD	

CONTACTS LUBRICATION

0: WITHOUT
 1: WITH

NOTES:

- MATERIALS:
 HOUSING: HIGH PERFORMANCE RESINS, GLASS FIBER FILLED, UL94 V-0 RATED.
 EJECTOR: HIGH PERFORMANCE RESINS, GLASS FIBER FILLED, UL94 V-0 RATED.
 TERMINAL: COPPER ALLOY
 FORKLOCK: COPPER ALLOY
- DATE CODE "MMDDYYL", MMDDYY IS ASSEMBLY DATE, L IS FCI PRODUCTION LINE.
- SPECIFICATION:
 PRODUCTION SPECIFICATION: FCI GS-12-1092.
 PACKAGE SPECIFICATION: FCI GS-14-2267.
 APPLICATION SPECIFICATION: FCI GS-20-0353.
- LEAD FREE PRODUCT MEETS EUROPEAN UNION DIRECTIVES AND OTHER COUNTRY REGULATIONS AS DESCRIBED IN FCI GS-22-008.
- THIS PRODUCT WILL WITHSTAND EXPOSURE TO 260°C PEAK TEMPERATURE FOR 10 SECONDS IN WAVE SOLDERING APPLICATION.
- INSERTION FORCE REFERENCE: 106.8 NEWTONS MAX. USING 1.50MM THICKNESS STEEL GAUGE PER JEDEC STANDARD.

dr	Nickor Zuo	2014/02/04	projection	MM	size	A3	scale	1:1
eng	Jeny Ren	2015/07/17			ecn no ELX-DG-21430-1			
chr	Nickor Zuo	2015/07/20			rel level Released			
appr	Pei-Ming Zheng	2015/07/20	product family					
			DDR4 288Pin DIMM CONNECTOR PTH TERMINATION (FOR CISCO)			dwg no 10129040		rev C
www.fci.com		cat. no.	-		Product - Customer Drw		sheet 5 of 5	



Copyright FCI.