



Chipsmall Limited consists of a professional team with an average of over 10 year of expertise in the distribution of electronic components. Based in Hongkong, we have already established firm and mutual-benefit business relationships with customers from,Europe,America and south Asia,supplying obsolete and hard-to-find components to meet their specific needs.

With the principle of “Quality Parts,Customers Priority,Honest Operation,and Considerate Service”,our business mainly focus on the distribution of electronic components. Line cards we deal with include Microchip,ALPS,ROHM,Xilinx,Pulse,ON,Everlight and Freescale. Main products comprise IC,Modules,Potentiometer,IC Socket,Relay,Connector.Our parts cover such applications as commercial,industrial, and automotives areas.

We are looking forward to setting up business relationship with you and hope to provide you with the best service and solution. Let us make a better world for our industry!



Contact us

Tel: +86-755-8981 8866 Fax: +86-755-8427 6832

Email & Skype: info@chipsmall.com Web: www.chipsmall.com

Address: A1208, Overseas Decoration Building, #122 Zhenhua RD., Futian, Shenzhen, China



1

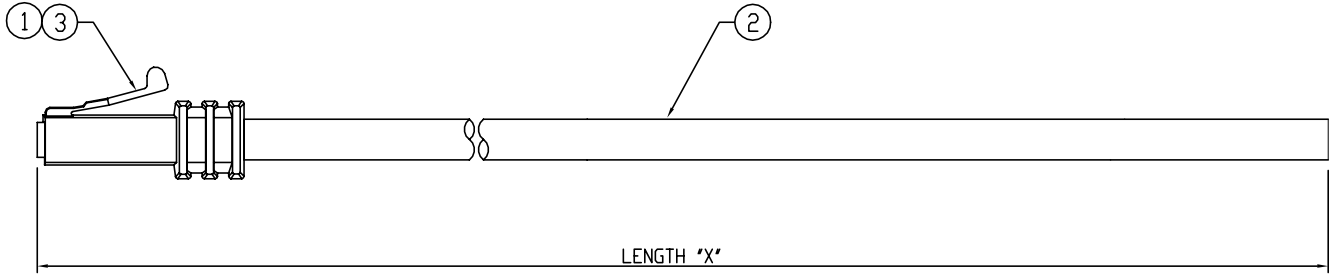
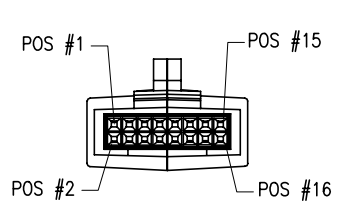
2

3

4

FCI PART NO.	LENGTH "X"
10129118-P0200YYLF	2000±40

REV	CHANGE RECORD
A	FIRST ISSUE
B	CHANGE DRAWING FOMAT



PIN ASSIGNMENT	
P1	PIN COLOR
1	BLACK
2	BROWN
3	RED
4	ORANGE
5	YELLOW
6	GREEN
7	BLUE
8	PURPLE
9	GRAY
10	WHITE
11	PINK
12	RED/WHITE
13	BLACK/WHITE
14	BROWN/WHITE
15	BLUE/BLACK
16	ORANGE/BLACK



Copyright FCI.

spec ref	See Notes	dr	Carl Wang	2014-11-03	projection	MM	size	A3	scale	N/A
tolerance std	TOLERANCES UNLESS OTHERWISE SPECIFIED	eng	Carl Wang	2014-11-03			ecn no			
		chr	Guo-Feng Jin	2014-11-03			rel level			
		appr	Guo-Feng Jin	2014-11-03			product family	Pwrblade		
surface		linear	0.X	±		title CABLE: 2X8 LATCH-N-LDK SINGLE ENDS (R0HS)	dwg no 10129118-P0200YYLF	rev B		
			0.XX	±						
			0.XXX	±						
		angular	0	±*	www.fci.com	cat. no.	Product - Customer Drw		sheet 1 of 2	

1

2

3

PDS: Rev :B

STATUS:Released

Printed: Nov 11, 2014

FCI PART NO.

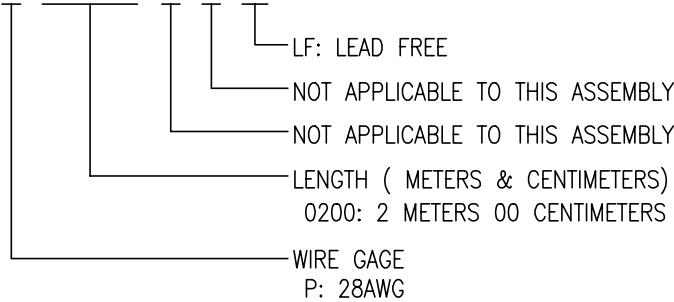
SEE SHEET 1

NOTES:

1. 2x8 LATCH-N-LOK MATES WITH DOUBLE ROW 16 POSITION RECEPTACLE KIT.

2. PART NUMBER SCHEME FOR CABLE ASSEMBLY:

10129118 - P X X X X Y Y LF



8. PACKAGE: EACH CABLE ASSEMBLY IN CLEAR ZIP-LOCK POLY BAG, THEN BULK PACKED IN A BOX.

9. MATERIAL:

3	16	EA	TERMINAL
2	AR	MM	CABLE: UL/CSA, 28AWG*16C BLACK.
1	1	EA	2X8 LATCH-N-LOK SHIELDED PLUG CONNECTOR KIT, BLACK, FCI P/N: 91488-341LF.
ITEM	Q'TY	UNIT	DESCRIPTION

3. ALL CABLE ASSEMBLIES SHALL BE TESTED 100% FOR CONTINUITY AS DEFINED IN WIRING LIST.

4. UNLESS OTHERWISE SPECIFIED ALL CABLE ASSEMBLIES SHALL BE 100% HI-POT TESTED: DC 300V/10ms

5. OTHER ELECTRICAL SPECIFICATIONS:
DIELECTRIC RESISTANCE: 50M Ohms MIN.
CONNECTION RESISTANCE: 2.0 Ohms MAX.

6. LEAD FREE PRODUCTS MEET EUROPEAN UNION DIRECTIVES AND OTHER COUNTRY REGULATIONS AS DESCRIBED IN GS-22-008.

7. CONNECTOR ASSEMBLIES SHOWN ARE FOR REFERENCE ONLY AND MAY NOT SHOWN ALL PART DETAIL, REFERENCE CONNECTOR ASSEMBLY DRAWINGS FOR COMPLETE DETAILS.



Copyright FCI.

spec ref	See Notes			dr	Carl Wang	2014-11-03	projection	MM	size	A3	scale	N/A
tolerance std	TOLERANCES UNLESS OTHERWISE SPECIFIED			eng	Carl Wang	2014-11-03				ecn no		
surface	linear	0.X	±	chr	Guo-Feng Jin	2014-11-03	product family			Pwrblade	rel level	
		0.XX	±	appr	Guo-Feng Jin	2014-11-03				title CABLE: 2X8 LATCH-N-LOK SINGLE ENDS (RHS)		dwg no 10129118-P0200YYLF
	angular	0	±*	www.fci.com		cat. no.	Product - Customer Drw		sheet 2 of 2			