



Chipsmall Limited consists of a professional team with an average of over 10 year of expertise in the distribution of electronic components. Based in Hongkong, we have already established firm and mutual-benefit business relationships with customers from,Europe,America and south Asia,supplying obsolete and hard-to-find components to meet their specific needs.

With the principle of “Quality Parts,Customers Priority,Honest Operation,and Considerate Service”,our business mainly focus on the distribution of electronic components. Line cards we deal with include Microchip,ALPS,ROHM,Xilinx,Pulse,ON,Everlight and Freescale. Main products comprise IC,Modules,Potentiometer,IC Socket,Relay,Connector.Our parts cover such applications as commercial,industrial, and automotives areas.

We are looking forward to setting up business relationship with you and hope to provide you with the best service and solution. Let us make a better world for our industry!



## Contact us

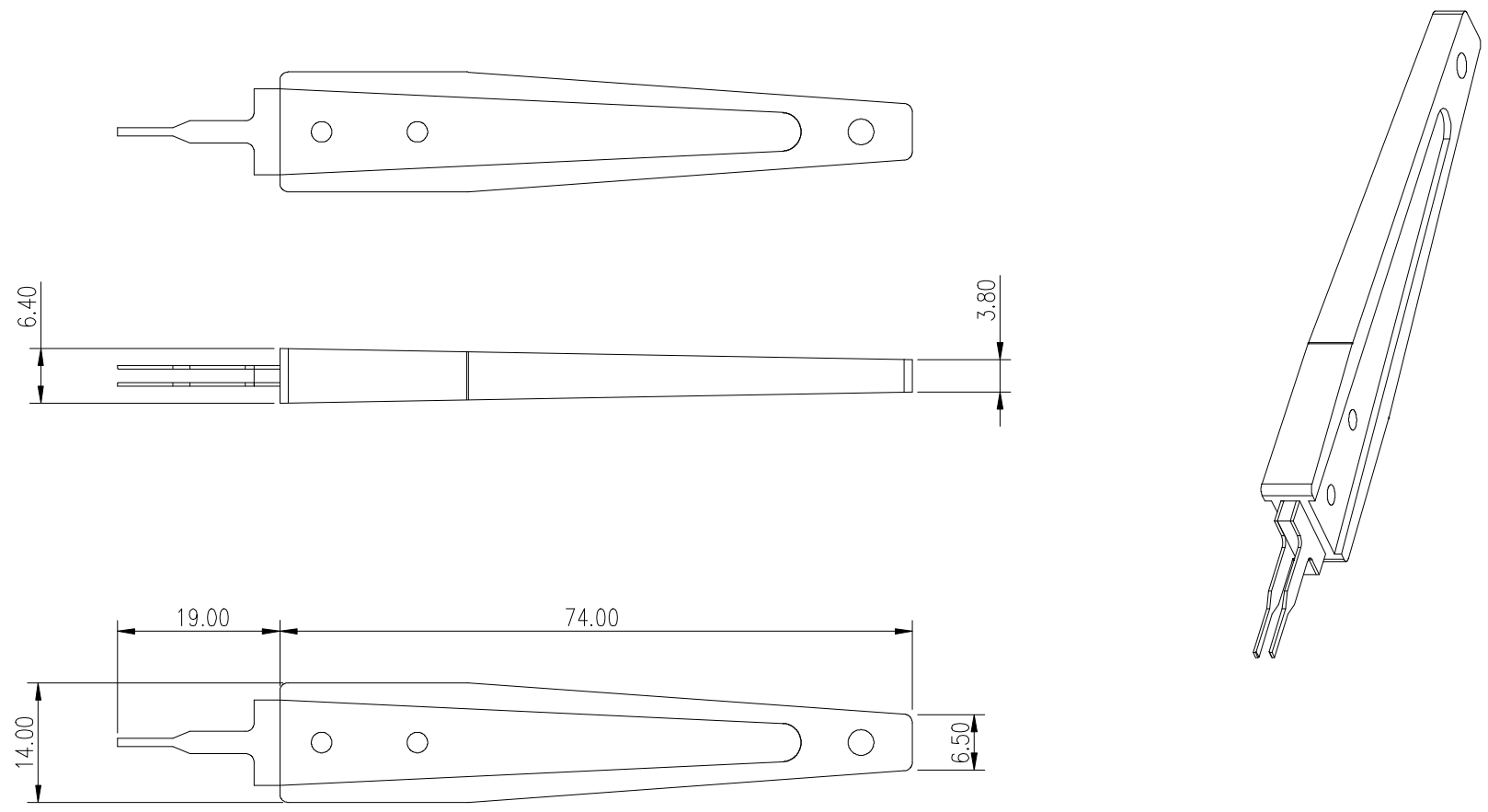
Tel: +86-755-8981 8866 Fax: +86-755-8427 6832

Email & Skype: info@chipsmall.com Web: www.chipsmall.com

Address: A1208, Overseas Decoration Building, #122 Zhenhua RD., Futian, Shenzhen, China



PRODUCT NUMBER	APPLICABLE P/N	APPLICABLE TERMINAL
10129274-042LF	10127817, 10127818	MINITEK PWR4.2

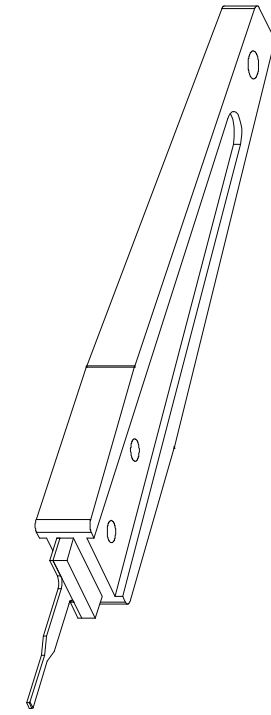
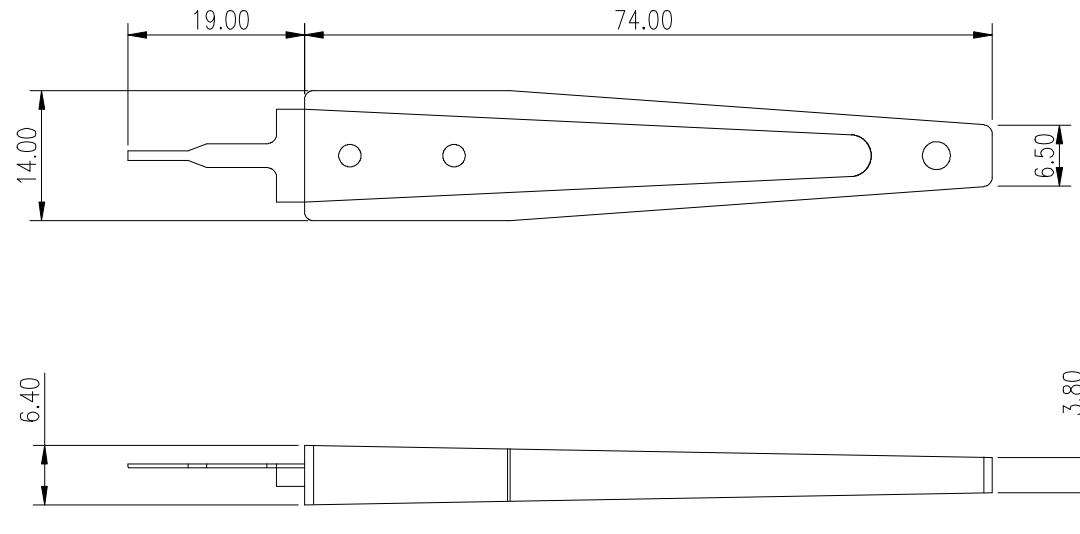


NOTE:  
1. MATERIAL:  
HANDLE: HIGH TEMP. THERMOPLASTIC, UL94V-0, BLACK  
TINES: STEEL

mat'l. code		surface <input checked="" type="checkbox"/>		tolerance		projection		product family	
itr		ecn no		dr		date		MINITEK PWR4.2 & 3.0	
A		TAI		2014-04-23		tolerances unless otherwise specified		title	
				angles		X.XX ±0.15		TERMINAL REMOVAL TOOL	
				in		MM		scale	
				X*±1*		scale		dwg no	
				dr		KENNY TAI		2014-03-03	
				enr		KENNY TAI		2014-03-03	
				chr		KENNY TAI		2014-03-03	
				appd		PM ZHENG		2014-04-23	
sheet index		revision sheet		A 1		A 2		sheet 1 of 2	
								size	
								A4	
								type	
								CUSTOMER Drawing	



PRODUCT NUMBER	APPLICABLE P/N	APPLICABLE TERMINAL
10129274-030LF	10127718, 10127719	MINITEK PWR3.0



NOTE:  
1. MATERIAL:  
HANDLE: HIGH TEMP. THERMOPLASTIC, UL94V-0, BLACK  
TINES: STEEL

mat'l. code		surface <input checked="" type="checkbox"/>		tolerance		projection		product family	
itr		ecn no		dr		date		MINITEK PWR4.2 & 3.0	
								title	
								TERMINAL REMOVAL TOOL	
								scale	
								dwg no	
								sheet 2 of 2	
								size	
								A4	
								type	
								CUSTOMER Drawing	
sheet index		revision sheet		A 1		A 2			

