



Chipsmall Limited consists of a professional team with an average of over 10 year of expertise in the distribution of electronic components. Based in Hongkong, we have already established firm and mutual-benefit business relationships with customers from,Europe,America and south Asia,supplying obsolete and hard-to-find components to meet their specific needs.

With the principle of “Quality Parts,Customers Priority,Honest Operation,and Considerate Service”,our business mainly focus on the distribution of electronic components. Line cards we deal with include Microchip,ALPS,ROHM,Xilinx,Pulse,ON,Everlight and Freescale. Main products comprise IC,Modules,Potentiometer,IC Socket,Relay,Connector.Our parts cover such applications as commercial,industrial, and automotives areas.

We are looking forward to setting up business relationship with you and hope to provide you with the best service and solution. Let us make a better world for our industry!



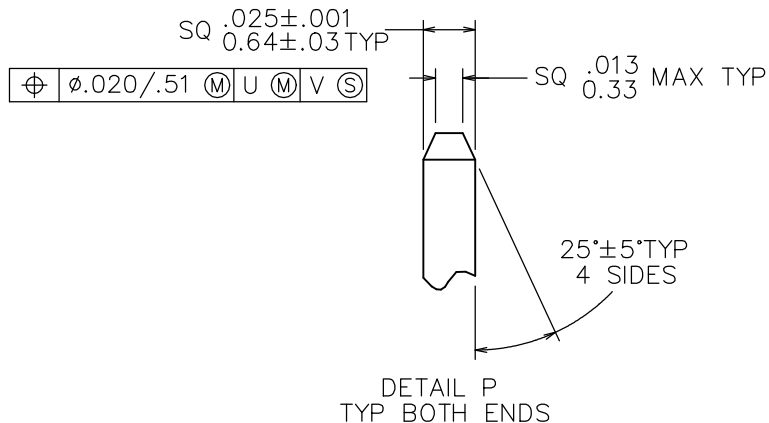
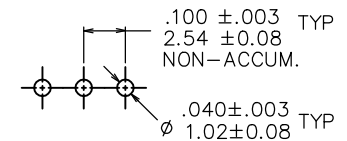
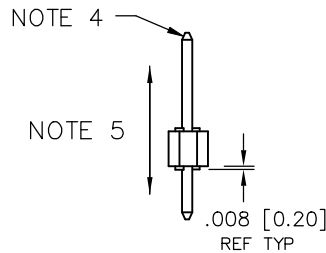
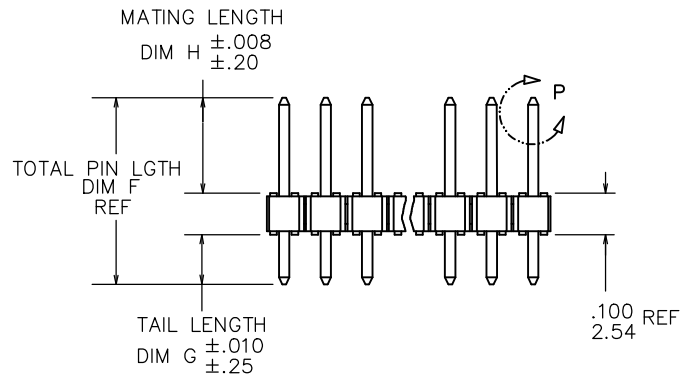
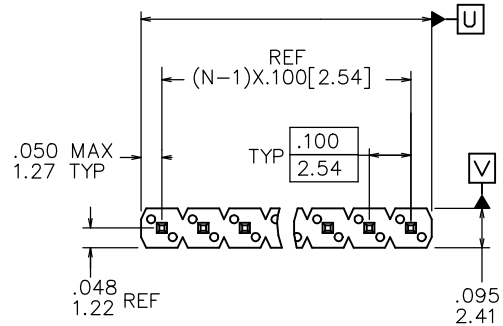
Contact us

Tel: +86-755-8981 8866 Fax: +86-755-8427 6832

Email & Skype: info@chipsmall.com Web: www.chipsmall.com

Address: A1208, Overseas Decoration Building, #122 Zhenhua RD., Futian, Shenzhen, China





PRODUCT NUMBER

10129378 - X YY XXX X LF

- LEAD FREE OPTION (SEE NOTES 7)
- PACKAGING OPTIONS (SEE NOTE 3)
- INDICATES DIFFERENT MATING LENGTH TAIL LENGTH AND OTHER OPTIONS (SEE TABLE IN SHEET 2)
- NO OF POSITIONS (SEE NOTE 2)
- PIN PLATING (SEE SHEET 2)
- BASE PART NO.

RECOMMENDED HOLE PATTERN

mat'l. code SEE NOTES 1		surface ISO 1302 ✓		tolerance ISO 406 ISO 1101		projection 		product family ECONOSTIK	
A	NEW	ZK	04/23/14	tolerances unless otherwise specified		INCH/MM		title ECONOSTIK HEADER	
B	ELX-N-18529	ZK	08/14/14	angles	linear			.100/2.54cc SR STRAIGHT	
C	ELX-N-29171	MZ	01/29/18	0° ± 2'		scale 2:1		dwg no 10129378	
		dr	ZK HU	04/23/14			sheet 1 of 2 size A3		
		enr	ZK HU	04/23/14			type Product Customer Drawing		
		chr	RICK BIAN	04/23/14					
		appd	RICK BIAN	04/23/14					
sheet index	revision sheet	C	C	1	2				

PRODUCT NUMBER	TOTAL PIN LENGTH		TAIL LENGTH		MATING LENGTH	
	DIM F	DIM F	DIM G	DIM G	DIM H	DIM H
	ENGLISH	METRIC	ENGLISH	METRIC	ENGLISH	METRIC
10129378-XYY001XLF	0.450	11.43	0.120	3.05	0.230	5.84
10129378-XYY002XLF	0.420	10.67	0.090	2.29	0.230	5.84
10129378-XYY003XLF	0.538	13.67	0.120	3.05	0.318	8.08
10129378-XYY004XLF	0.508	12.91	0.090	2.29	0.318	8.08
10129378-XYY005XLF	0.591	15.00	0.118	3.00	0.372	9.46

PIN PLATING CODES:	
10129378-9YYXXXXLF	1u"/0.025u MIN Au OVER 50u"/1.27u MIN Ni

NOTES:

- MATERIAL
 BODAY MATERIAL: HIGH TEMPERATURE THERMOPLASTIC.
 FLAME UL94-V0, BLACK.
 PIN MATERIAL: COPPER ALLOY.
- ANY NUMBER OF POSITIONS N FROM 1 TO 36,
 PRODUCT MAYBE CUTTING TO POSITION,
 THE CUTTING PLASH IS 0.02[0.51] MAX.
- PACKING STYLE DEFINITION.
 B: PACKED WITH POLY BAG
 T: PACKED WITH TUBE
 A: PACKED WITH TAPE AND REEL WITH PICK UP CAP
 C: PACKED WITH TAPE AND REEL WITHOUT PICK UP CAP
- TWO SIDES OF PIN TIPS NOT PLATED, TYPICAL BOTH ENDS.
- 2LBS/0.9KG MIN PIN RETENTION IN EITHER DIRECTION BEFORE REFLOW.
- THE OAL DON'T EXCEED 1 INCH / 25.4MM.
- ADD LF AT THE END OF PART NUMBER IS FOR LEAD FREE.
- THESE PRODUCT MEETS EUROPEAN UNION DIRECTIVES AND OTHER
 COUNTRY REGULATION AS DESCRIBED IN GS-22-008.
- PRODUCT SPECIFICATION: GS-12-1223.
- THIS PRODUCT WILL WITHSTAND EXPOSURE TO 260°C PEAK TEMPERATURE
 FOR 20 SECONDS IN WAVE SOLDER, INFRA-RED OR VAPOR PHASE
 SOLDER PROCESS.

mat'l. code SEE NOTES 1		surface ISO 1302 ✓	tolerance ISO 406 ISO 1101	projection 	product family ECONOSTIK
ltr	ecn no	dr	date	tolerances unless otherwise specified	title
C				angles linear .XX±.01/XX±0.3 .XXX±.008/XXX±0.20 0'±2' .XXXX±.0040/XXX±0.100	ECONOSTIK HEADER .100/2.54cc SR STRAIGHT
				dr ZK HU 04/23/14	scale 2:1
				enr ZK HU 04/23/14	FCJ
				chr RICK BIAN 04/23/14	dwg no 10129378 sheet 2 of 2 size A3
				appd RICK BIAN 04/23/14	type Product Customer Drawing
sheet index	revision sheet				



Copyright FCI