



Chipsmall Limited consists of a professional team with an average of over 10 year of expertise in the distribution of electronic components. Based in Hongkong, we have already established firm and mutual-benefit business relationships with customers from,Europe,America and south Asia,supplying obsolete and hard-to-find components to meet their specific needs.

With the principle of “Quality Parts,Customers Priority,Honest Operation,and Considerate Service”,our business mainly focus on the distribution of electronic components. Line cards we deal with include Microchip,ALPS,ROHM,Xilinx,Pulse,ON,Everlight and Freescale. Main products comprise IC,Modules,Potentiometer,IC Socket,Relay,Connector.Our parts cover such applications as commercial,industrial, and automotives areas.

We are looking forward to setting up business relationship with you and hope to provide you with the best service and solution. Let us make a better world for our industry!



Contact us

Tel: +86-755-8981 8866 Fax: +86-755-8427 6832

Email & Skype: info@chipsmall.com Web: www.chipsmall.com

Address: A1208, Overseas Decoration Building, #122 Zhenhua RD., Futian, Shenzhen, China



PRODUCT NUMBER

10129381 - X YY XXX X LF

LEAD FREE OPTION
(SEE NOTES 7)

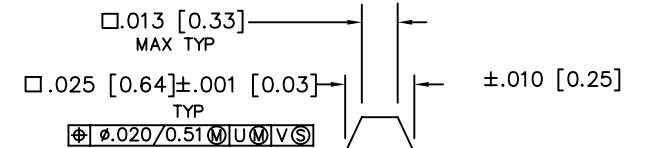
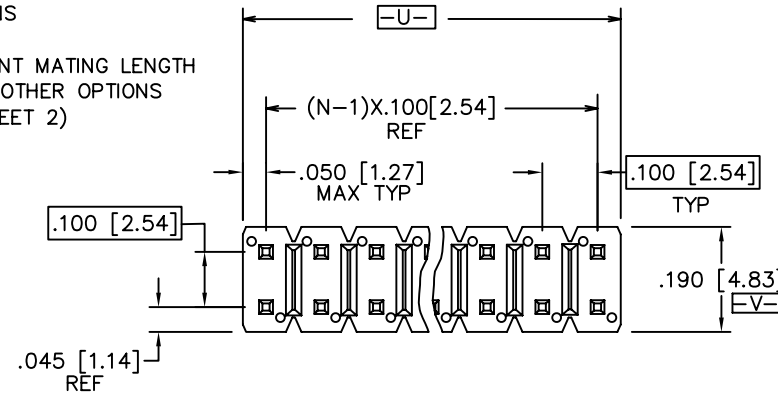
PACKAGING OPTIONS
(SEE NOTE 3)

INDICATES DIFFERENT MATING LENGTH
TAIL LENGTH AND OTHER OPTIONS
(SEE TABLE IN SHEET 2)

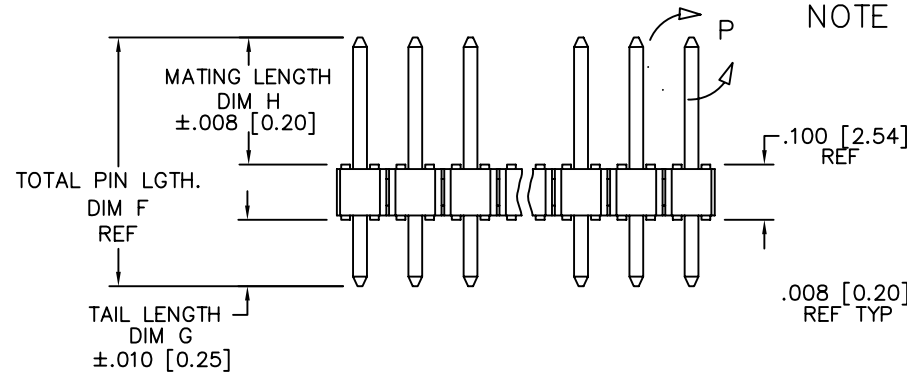
NO. OF
POSITIONS
(SEE NOTE 2)

PIN PLATING
(SEE SHEET 2)

BASE PART NO.

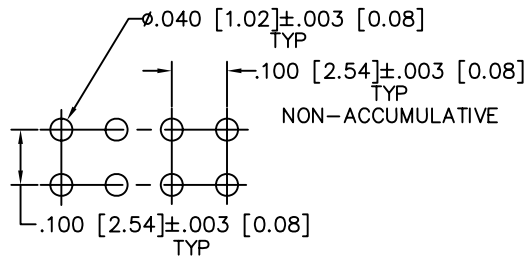


DETAIL P
SCALE 5:1
TYP BOTH ENDS



NOTE 4

NOTE 6



RECOMMENDED HOLE PATTERN

mat'l. code SEE NOTES 1		surface ISO 1302 ✓		tolerance ISO 406 ISO 1101		projection INCH/MM		product family ECONOSTIK	
ltr	ecn	no	dr	date	tolerances unless otherwise specified				
A	NEW	ZK	04/23/14	04/23/14	angles	linear	linear	linear	linear
B	ELX-N-18529	ZK	08/14/14	08/14/14	linear	linear	linear	linear	linear
C	ELX-N-18529	J.H	02/12/15	02/12/15	0°±2'	linear	linear	linear	linear
dr		ZK HU		04/23/14		scale 2:1		scale 2:1	
enr		ZK HU		04/23/14		FCJ		FCJ	
chr		RICK BIAN		04/23/14		scale 2:1		scale 2:1	
appd		RICK BIAN		04/23/14		scale 2:1		scale 2:1	
sheet	revision	C	C						
index	sheet	1	2						
title		ECONOSTIK HEADER							
dwg no		10129381						sheet 1 of 2 size	
type		Product Customer Drawing							

PRODUCT NUMBER	TOTAL PIN LENGTH		TAIL LENGTH		MATING LENGTH		PIN PLATING CODES:	
	DIM F	DIM F	DIM G	DIM G	DIM H	DIM H	10129381-9YYXXXLF	1u"/0.025u MIN Au OVER 50u"/1.27u MIN Ni
	ENGLISH	METRIC	ENGLISH	METRIC	ENGLISH	METRIC		
10129381-XYY001XLF	0.450	11.43	0.120	3.05	0.230	5.84		
10129381-XYY002XLF	0.420	10.67	0.090	2.29	0.230	5.84		
10129381-XYY003XLF	0.538	13.67	0.120	3.05	0.318	8.08		
10129381-XYY004XLF	0.508	12.91	0.090	2.29	0.318	8.08		
10129381-XYY005XLF	0.966	24.54	0.354	9.00	0.512	13.00		

NOTES:

- MATERIAL
 BODAY MATERIAL: HIGH TEMPERATURE THERMOPLASTIC.
 FLAME UL94-V0, BLACK.
 PIN MATERIAL: COPPER ALLOY.
- ANY NUMBER OF POSITIONS FROM 4(2X2) TO 72(2X36).
 N=NO. OF POSITION/2
 PRODUCT MAYBE CUTTING TO POSITION,
 THE CUTTING PLASH IS 0.02[0.51] MAX.
- PACKING STYLE DEFINITION.
 B: PACKED WITH POLY BAG
 T: PACKED WITH TUBE
 A: PACKED WITH TAPE AND REEL WITH PICK UP CAP
 C: PACKED WITH TAPE AND REEL WITHOUT PICK UP CAP
- TWO SIDES OF PIN TIPS NOT PLATED, TYPICAL BOTH ENDS.
- 2LBS/0.9KG MIN PIN RETENTION IN EITHER DIRECTION BEFORE REFLOW.
- THE OAL DON'T EXCEED 1 INCH / 25.4MM.
- ADD LF AT THE END OF PART NUMBER IS FOR LEAD FREE.
- THESE PRODUCT MEETS EUROPEAN UNION DIRECTIVES AND OTHER COUNTRY REGULATION AS DESCRIBED IN GS-22-008.
- PRODUCT SPECIFICATION: GS-12-1223.
- THIS PRODUCT WILL WITHSTAND EXPOSURE TO 260°C PEAK TEMPERATURE FOR 20 SECONDS IN WAVE SOLDER, INFRA-RED OR VAPOR PHASE SOLDER PROCESS.

mat'l. code SEE NOTES 1		surface ISO 1302 ✓	tolerance ISO 406 ISO 1101	projection 	product family ECONOSTIK
ltr	ecn	no	dr	date	tolerances unless otherwise specified
c					angles linear .001±.01/.01±0.3 .001±.008/.01±0.20 0°±2' .000±.0040/.000±0.100
					INCH/MM scale 2:1
					dr ZK HU 04/23/14
					enr ZK HU 04/23/14
					chr RICK BIAN 04/23/14
					appd RICK BIAN 04/23/14
sheet index	revision sheet				

title
 ECONOSTIK HEADER
 .100/2.54cc DR STRAIGHT
 dwg no 10129381 sheet 2 of 2 size A3
 type Product Customer Drawing



Copyright FCJ