



Chipsmall Limited consists of a professional team with an average of over 10 year of expertise in the distribution of electronic components. Based in Hongkong, we have already established firm and mutual-benefit business relationships with customers from,Europe,America and south Asia,supplying obsolete and hard-to-find components to meet their specific needs.

With the principle of “Quality Parts,Customers Priority,Honest Operation,and Considerate Service”,our business mainly focus on the distribution of electronic components. Line cards we deal with include Microchip,ALPS,ROHM,Xilinx,Pulse,ON,Everlight and Freescale. Main products comprise IC,Modules,Potentiometer,IC Socket,Relay,Connector.Our parts cover such applications as commercial,industrial, and automotives areas.

We are looking forward to setting up business relationship with you and hope to provide you with the best service and solution. Let us make a better world for our industry!



Contact us

Tel: +86-755-8981 8866 Fax: +86-755-8427 6832

Email & Skype: info@chipsmall.com Web: www.chipsmall.com

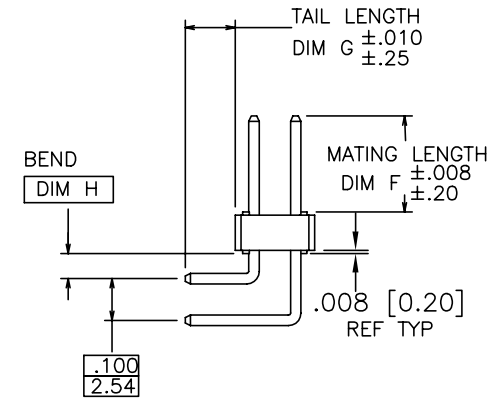
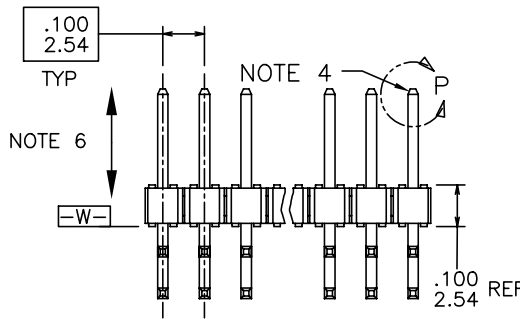
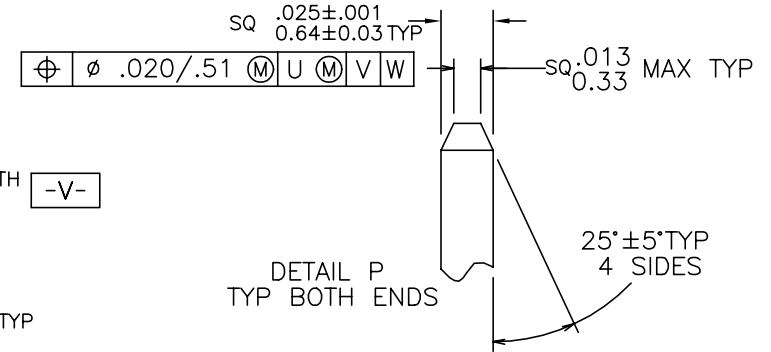
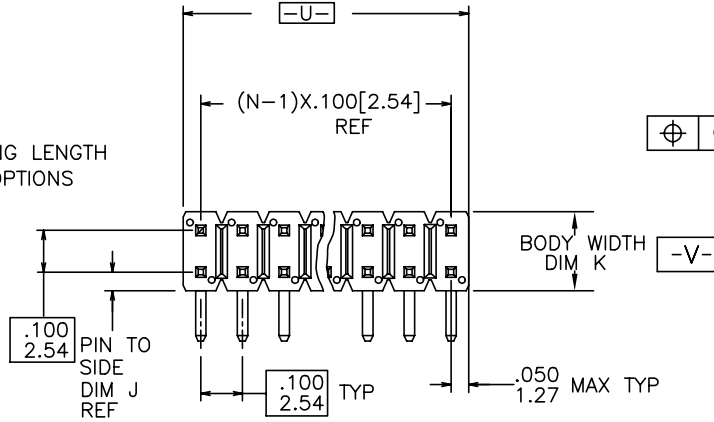
Address: A1208, Overseas Decoration Building, #122 Zhenhua RD., Futian, Shenzhen, China



PRODUCT NUMBER

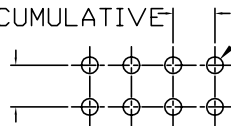
10129382 - X YY XXX X LF

- LEAD FREE OPTION (SEE NOTES 7)
- PACKAGING OPTIONS (SEE NOTE 3)
- INDICATES DIFFERENT MATING LENGTH TAIL LENGTH AND OTHER OPTIONS (SEE TABLE IN SHEET 2)
- NO OF POSITIONS (SEE NOTE 2)
- PIN PLATING (SEE SHEET 2)
- BASE PART NO.



.100±.003 [2.54±.08] TYP. NON-ACCUMULATIVE

Ø.040±.003 [1.02±.08] TYP.



.100±.003 [2.54±.08]

RECOMMENDED HOLE PATTERN

mat'l. code SEE NOTES 1		surface ISO 1302 ✓		tolerance ISO 406 ISO 1101		projection ASME Y14.5		product family ECONOSTIK		
ltr ecn no dr date		tolerances unless otherwise specified		title		ECONOSTIK HEADER .100/2.54cc DR R/A				
A	NEW	ZK	04/23/14	angles	linear	XX±.01/XX±0.3	INCH/MM		dwg no	
B	ELX-N-18529	ZK	08/14/14	0°±2°		XXX±.008/XXX±0.20	scale 2:1		sheet 1 of 2	
						XXXX±.0040/XXXX±0.100	FCJ		size	
				dr	ZK HU	04/23/14			10129382	
				engr	ZK HU	04/23/14			A3	
				chr	RICK BIAN	04/23/14			type	
				appd	RICK BIAN	04/23/14			Product Customer Drawing	
sheet index	revision	B	B							
	sheet	1	2							

PRODUCT NUMBER	MATING LENGTH		TAIL LENGTH		BENDING DIMENSION	
	DIM F	DIM F	DIM G	DIM G	DIM H	DIM H
	ENGLISH	METRIC	ENGLISH	METRIC	ENGLISH	METRIC
10129382-XY001XLF	0.230	5.84	0.120	3.05	0.060	1.52
10129382-XY002XLF	0.230	5.84	0.090	2.29	0.060	1.52
10129382-XY003XLF	0.318	8.08	0.120	3.05	0.060	1.52
10129382-XY004XLF	0.318	8.08	0.090	2.29	0.060	1.52

PIN PLATING CODES:	
10129382-9YYXXXXLF	1u"/0.025u MIN Au OVER 50u"/1.27u MIN Ni

NOTES:

1. MATERIAL

BODAY MATERIAL: HIGH TEMPERATURE THERMOPLASTIC.
 FLAME UL94-V0, BLACK.
 PIN MATERIAL: COPPER ALLOY.

2. ANY NUMBER OF POSITIONS FROM 4(2X2) TO 72(2X36).

N=NO. OF POSITION/2
 PRODUCT MAYBE CUTTING TO POSITION,
 THE CUTTING PLASH IS 0.02[0.51] MAX.

3. PACKING STYLE DEFINITION.

B: PACKED WITH POLY BAG
 T: PACKED WITH TUBE
 A: PACKED WITH TAPE AND REEL WITH PICK UP CAP
 C: PACKED WITH TAPE AND REEL WITHOUT PICK UP CAP

4. TWO SIDES OF PIN TIPS NOT PLATED, TYPICAL BOTH ENDS.

5. 2LBS/0.9KG MIN PIN RETENTION IN EITHER DIRECTION BEFORE REFLOW.

6. THE OAL DON'T EXCEED 1 INCH / 25.4MM.

7. ADD LF AT THE END OF PART NUMBER IS FOR LEAD FREE.

8. THESE PRODUCT MEETS EUROPEAN UNION DIRECTIVES AND OTHER COUNTRY REGULATION AS DESCRIBED IN GS-22-008.

9. PRODUCT SPECIFICATION: GS-12-1223.

10. THIS PRODUCT WILL WITHSTAND EXPOSURE TO 260°C PEAK TEMPERATURE FOR 20 SECONDS IN WAVE SOLDER, INFRA-RED OR VAPOR PHASE SOLDER PROCESS.

mat'l. code SEE NOTES 1	surface ISO 1302 ✓	tolerance ISO 406 ISO 1101	projection 	product family ECONOSTIK
ltr/ecn no/dt	date	tolerances unless otherwise specified		title ECONOSTIK HEADER .100/2.54cc DR R/A
B		angles 0°±2°	linear XX±.01/XX±0.3 XXX±.008/XX±0.20 XXXX±.0040/XXX±0.100	INCH/MM scale 2:1
dr	ZK HU	04/23/14		dwg no
enr	ZK HU	04/23/14		sheet 2 of 2
chr	RICK BIAN	04/23/14		size 10129382 A3
appd	RICK BIAN	04/23/14		type Product Customer Drawing
sheet index	revision sheet			