



Chipsmall Limited consists of a professional team with an average of over 10 year of expertise in the distribution of electronic components. Based in Hongkong, we have already established firm and mutual-benefit business relationships with customers from,Europe,America and south Asia,supplying obsolete and hard-to-find components to meet their specific needs.

With the principle of “Quality Parts,Customers Priority,Honest Operation,and Considerate Service”,our business mainly focus on the distribution of electronic components. Line cards we deal with include Microchip,ALPS,ROHM,Xilinx,Pulse,ON,Everlight and Freescale. Main products comprise IC,Modules,Potentiometer,IC Socket,Relay,Connector.Our parts cover such applications as commercial,industrial, and automotives areas.

We are looking forward to setting up business relationship with you and hope to provide you with the best service and solution. Let us make a better world for our industry!



## Contact us

Tel: +86-755-8981 8866 Fax: +86-755-8427 6832

Email & Skype: info@chipsmall.com Web: www.chipsmall.com

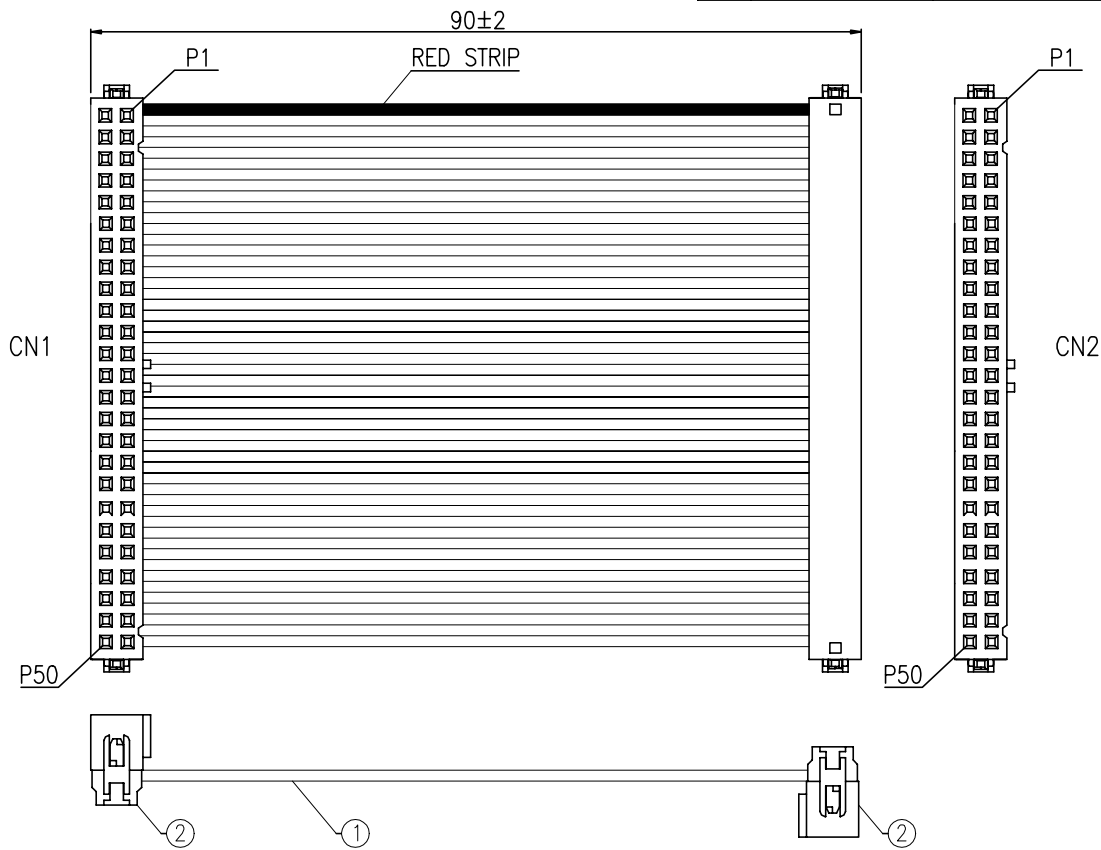
Address: A1208, Overseas Decoration Building, #122 Zhenhua RD., Futian, Shenzhen, China



FCI PART NO.
10129385-P0009YYLF

REV	ECN NO	DESCRIPTION
B	ELX-N-19694-1	MODIFY "UNIT"

WIRING LIST	
CN1	CN2
1	1
2	2
3	3
4	4
5	5
...	...
47	47
48	48
49	49
50	50



NOTES:

1. MATERIAL: SEE BOM ON SHEET 1.
2. THIS DIMENSION IS A FINISHED PRODUCT LENGTH.
3. ALL CABLE ASSEMBLIES SHALL BE TESTED 100% FOR CONTINUITY AS DEFINED IN WIRING LIST.
4. UNLESS OTHERWISE SPECIFIED ALL CABLE ASSEMBLIES SHALL BE TESTD:  
 HI-POT: DC 300V/10ms  
 DIELECTRIC RESISTANCE: 10M Ohms MIN.  
 CONNECTION RESISTANCE: 3 Ohms MAX.
5. LEAD FREE PRODUCTS MEET EUROPEAN UNION DIRECTIVES AND OTHER COUNTRY REGULATIONS AS DESCRIBED IN GS-22-008.



2	EA	IDC CONN: 2.54PITCH 2*25PIN, 0.76um Au, WITH CENTRAL KEY AND WITHOUT STRAIN RELIEF, FCI P/N:71600-150LF	2
A/R	M	FLAT CABLE: 1.27PITCH 28AWG*50C, UL2651, COLOR:GRAY	1
Q'TY	UNIT	DESCRIPTION	ITEM

TOLERANCES UNLESS OTHERWISE SPECIFIED	tolerance std		material	dr	Carl Wang	2014-12-10	projection	MM	size	A3	scale	N/A
	tolerance std		mat code	eng	Carl Wang	2014-12-10			ecn no			
	linear	X.	±	heatreat	chr	Guo-Feng Jin	2014-12-10	product family	rel level			
		0.XX	±	plating/finish	appr	Guo-Feng Jin	2014-12-10					
		0.XXX	±	spec ref	www.fci.com				title	QUICKIE IDC CABLE ASSEMBLY	dwg no	10129385-P0009YYLF
0.XXXX	±	model name										
angular	0	±°	model revision	Product - Customer Drw			sheet 1 of 1					

