



Chipsmall Limited consists of a professional team with an average of over 10 year of expertise in the distribution of electronic components. Based in Hongkong, we have already established firm and mutual-benefit business relationships with customers from,Europe,America and south Asia,supplying obsolete and hard-to-find components to meet their specific needs.

With the principle of "Quality Parts,Customers Priority,Honest Operation,and Considerate Service",our business mainly focus on the distribution of electronic components. Line cards we deal with include Microchip,ALPS,ROHM,Xilinx,Pulse,ON,Everlight and Freescale. Main products comprise IC,Modules,Potentiometer,IC Socket,Relay,Connector.Our parts cover such applications as commercial,industrial, and automotives areas.

We are looking forward to setting up business relationship with you and hope to provide you with the best service and solution. Let us make a better world for our industry!



Contact us

Tel: +86-755-8981 8866 Fax: +86-755-8427 6832

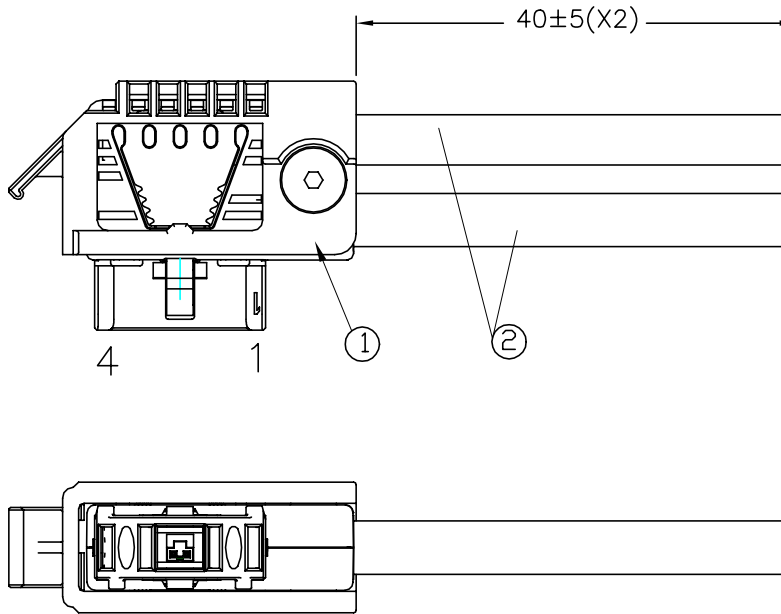
Email & Skype: info@chipsmall.com Web: www.chipsmall.com

Address: A1208, Overseas Decoration Building, #122 Zhenhua RD., Futian, Shenzhen, China



PRODUCT NUMBER
NOTE 3

10129819-4AA0006LF



WIRING LIST SEE NOTE 4		LABEL
POS. 1	BLACK WIRE	+
POS. 2		
POS. 3	BLACK WIRE	-
POS. 4		

Qty	Unit	Description	Item
NA	MM	UL1569 4AWG(25mm ²) BLACK	2
1	PC	RIGHT ANGLE TWINBLADE CONNECTOR KIT	1

spec ref	-	dr	William He	2014-07-25	projection		size	A3	scale	N/A
tolerance std	TOLERANCES UNLESS OTHERWISE SPECIFIED	eng	William He	2014-07-25		product family	ecn no	-	rel level -	
-		chr	Guo-Feng Jin	2014-07-25			rel level	-		
surface	linear	0.X	± -		title	TWINBLADE CABLE WITH SENSE PIN AND LATCH FOR PROMOTION	dwg no	10129819-4AA0006LF	rev	A
		0.XX	± 0.25							
		0.XXX	± -							
	angular	0~	± -'	www.fci.com	cat. no.	-	Customer Drawing		sheet 1 of 2	

NOTES:

1. MATES WITH FCI CONNECTOR: 51939-901LF.

2. UNLESS OTHERWISE SPECIFIED ASSEMBLED LENGTH TOLERANCE =
< = 1 METER: ±15.0mm
> 1 METER TO 10 METER: ±2% OF "DIM L"
> 10 METER: +0.00% / -4% OF "DIM L"

3. PART NUMBER DESCRIPTION:

10129819 - 4 A A 0006 LF

LF: LEAD FREE (NOTE 8)
NEXT AVAILABLE DASH NUMBER

STYLE: SINGLE ENDED	
END P1	
CONNECTOR STYLE	
4:	RIGHT ANGLE

JUMPER:	
ORIENTATION	
A:	0°

WIRE SIZE:		
	WIRE SIZE	DESCRIPTION
A:	4AWG	STRANDED

10. GLOBAL STANDARDS FOR CABLE PACKAGING: GS-14-1325.

11. A "△" SYMBOL WILL BE NEXT TO ANY DIMENSION, VIEW, OR NOTE WHICH HAS BEEN MODIFIED WITH THE CURRENT DRAWING REVISION." THE CURRENT REVISION WILL BE SHOWN IN THE SYMBOL.

12. MATERIALS:
TOP/BOTTOM COVERS: HIGH TEMPERATURE NYLON
HOUSING: HIGH TEMPERATURE NYLON
JUMPER: HIGH TEMPERATURE NYLON - COLOR: RED
STRAIN RELIEF: HIGH TEMPERATURE NYLON
LOCKING SPRING: HIGH TEMPERATURE NYLON
TERMINAL CRIMP: Cu ALLOY
TERMINAL BLADES: Cu ALLOY
CONDUCTOR: STRANDED COPPER

4. ALL CABLE ASSEMBLIES SHALL BE TESTED 100% FOR CONTINUITY AS DEFINED IN WIRING LIST.

5. UNLESS OTHERWISE SPECIFIED ALL CABLE ASSEMBLIES SHALL BE 100% HI-POT TESTED BY APPLYING 300V DC FOR MINIMUM OF 10ms, UNLESS ACTIVE COMPONENTS ARE USED IN THIS ASSEMBLY.

6. OTHER TESTING PERFORMED AS REQUIRED BY PRODUCT SPECIFICATION: GS-12-1246.

7. THIS DIMENSION IS A FINISHED PRODUCT LENGTH.

8. LEAD FREE PRODUCTS MEET EUROPEAN UNION DIRECTIVES AND OTHER COUNTRY REGULATIONS AS DESCRIBED IN GS-22-008.

9. ASSEMBLY SHOWN IS FOR REFERENCE ONLY AND MAY NOT SHOW ALL PART DETAIL. REFERENCE CONNECTOR ASSEMBLY DRAWINGS FOR COMPLETE DETAILS.

JUMPER-TABLE 2

ORIENTATION FRONT VIEW	ORIENTATION SIDE VIEW	DEGREE
		270°
		180°
		90°
		0°



Copyright FCI.

spec ref	-	dr	William He	2014-07-25	projection		size	A3	scale	N/A
tolerance std	TOLERANCES UNLESS OTHERWISE SPECIFIED	eng	William He	2014-07-25		product family	ecn no	-	rel level -	
-		chr	Guo-Feng Jin	2014-07-25						
		appr	Guo-Feng Jin	2014-07-25						
surface	linear	0.X	± -		title	TWINBLADE CABLE WITH SENSE PIN AND LATCH FOR PROMOTION	dwg no	10129819-4AA0006LF	rev	A
		0.XX	±0.25							
		0.XXX	± -							
	angular	0~	± -	www.fci.com	cat. no.	-	Customer Drawing		sheet 2 of 2	