



Chipsmall Limited consists of a professional team with an average of over 10 year of expertise in the distribution of electronic components. Based in Hongkong, we have already established firm and mutual-benefit business relationships with customers from,Europe,America and south Asia,supplying obsolete and hard-to-find components to meet their specific needs.

With the principle of "Quality Parts,Customers Priority,Honest Operation,and Considerate Service",our business mainly focus on the distribution of electronic components. Line cards we deal with include Microchip,ALPS,ROHM,Xilinx,Pulse,ON,Everlight and Freescale. Main products comprise IC,Modules,Potentiometer,IC Socket,Relay,Connector.Our parts cover such applications as commercial,industrial, and automotives areas.

We are looking forward to setting up business relationship with you and hope to provide you with the best service and solution. Let us make a better world for our industry!



Contact us

Tel: +86-755-8981 8866 Fax: +86-755-8427 6832

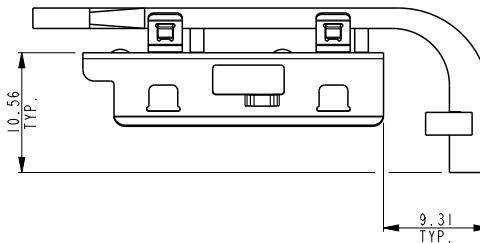
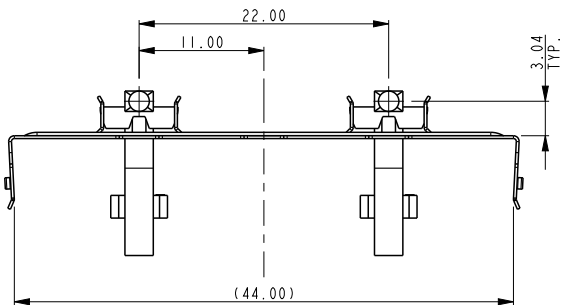
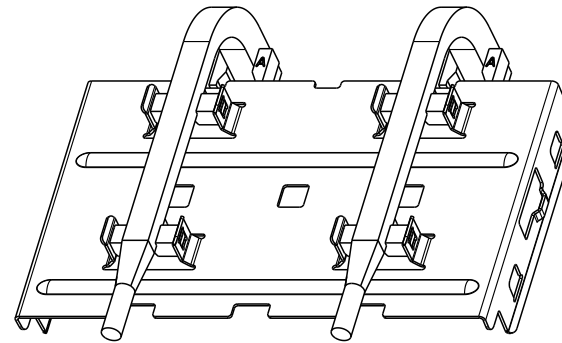
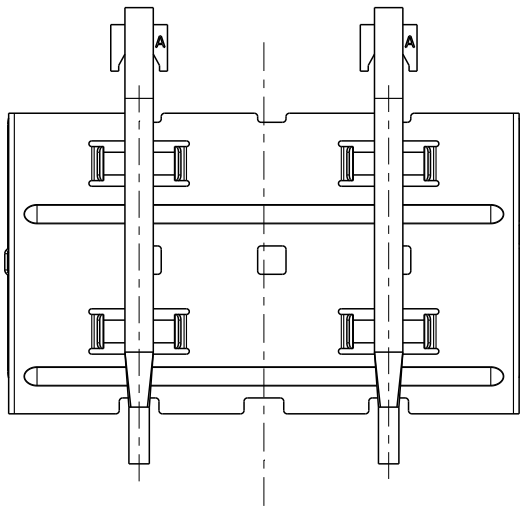
Email & Skype: info@chipsmall.com Web: www.chipsmall.com

Address: A1208, Overseas Decoration Building, #122 Zhenhua RD., Futian, Shenzhen, China



PART NUMBER

10130602-001LF



NOTES:

- MATERIALS:
LIGHT PIPE CLIP: STAINLESS STEEL
LIGHT PIPE: POLYCARBONATE
- PRODUCT SPECIFICATION: GS-12-651
- PRODUCT PACKING SPECIFICATION: GS-14-1490
- APPLICATION SPECIFICATION: GS-20-0327
- THIS CONNECTOR IS DESIGNED TO MEET THE REQUIREMENTS OF INDUSTRY SPECIFICATION SFF-8644.
- LIGHT PIPE SUB-ASSEMBLY WITH MOUNTING CLIP ASSEMBLY AFTER EXTERNAL CONNECTOR WITHOUT STOPS APPLIED TO PCB.
- THIS PRODUCT MEETS EUROPEAN UNION DIRECTIVES AND OTHER COUNTRY REGULATIONS AS DESCRIBED IN GS-47-0004.

spec ref		-		dr	Jackbin Zou	2014/07/09	projection 	mm 	size	A4	scale	3:2	
tolerance std		TOLERANCES UNLESS OTHERWISE SPECIFIED		eng	Jackbin Zou	2014/12/18			ecn no	-			
ASME Y14.5				chr	-	-							
surface		linear		appr	Collins Lu	2014/12/18	product family		rel level		Released		
ASME Y14.5		angular		 www.fci.com		title IX4 LIGHT PIPE SUB-ASSY W/MOUNTING CLIP MINI SAS HD		dwg no 10130602		rev A			
		0.X										±0.50	
		0.XX										±0.30	
		0.XXX		±0.20		cat. no.		Product - Customer Drw		sheet 1 of 1			
		0°		±3°									

Pro/E File - REV C - 2009-06-09