



Chipsmall Limited consists of a professional team with an average of over 10 year of expertise in the distribution of electronic components. Based in Hongkong, we have already established firm and mutual-benefit business relationships with customers from,Europe,America and south Asia,supplying obsolete and hard-to-find components to meet their specific needs.

With the principle of "Quality Parts,Customers Priority,Honest Operation,and Considerate Service",our business mainly focus on the distribution of electronic components. Line cards we deal with include Microchip,ALPS,ROHM,Xilinx,Pulse,ON,Everlight and Freescale. Main products comprise IC,Modules,Potentiometer,IC Socket,Relay,Connector.Our parts cover such applications as commercial,industrial, and automotives areas.

We are looking forward to setting up business relationship with you and hope to provide you with the best service and solution. Let us make a better world for our industry!



Contact us

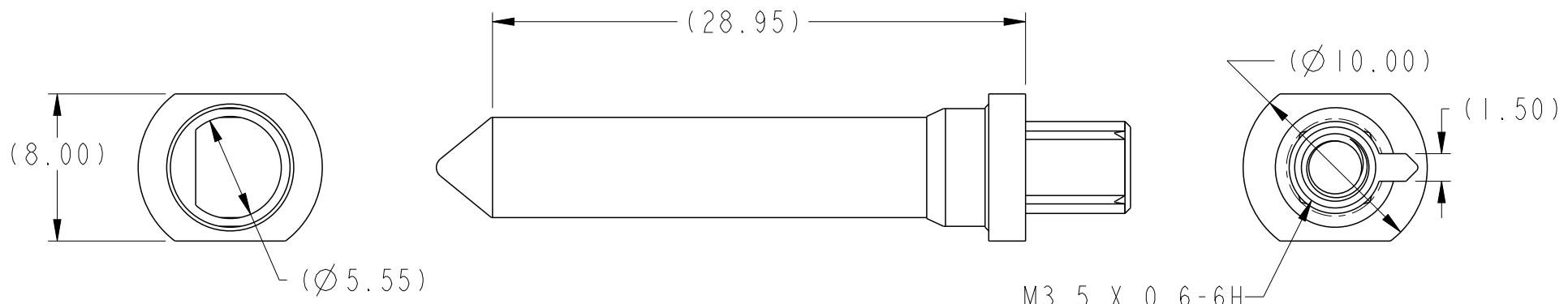
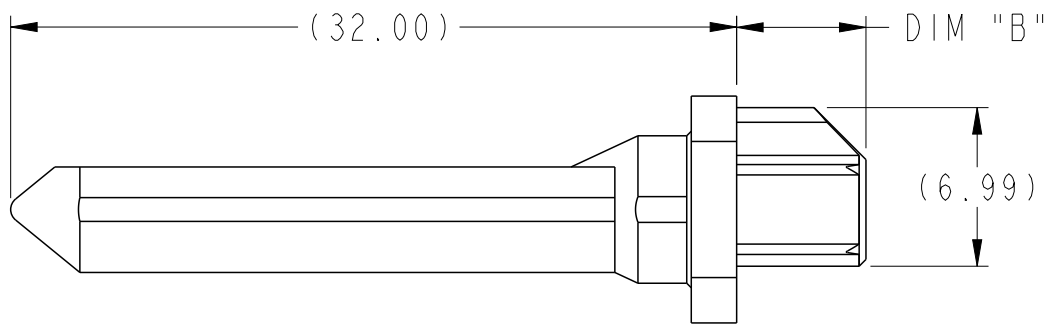
Tel: +86-755-8981 8866 Fax: +86-755-8427 6832

Email & Skype: info@chipsmall.com Web: www.chipsmall.com

Address: A1208, Overseas Decoration Building, #122 Zhenhua RD., Futian, Shenzhen, China



PRODUCT NUMBER
SEE TABLE, SHT 3



M3.5 X 0.6-6H
SEE TABLE DIM "D"
FOR THREAD DEPTH

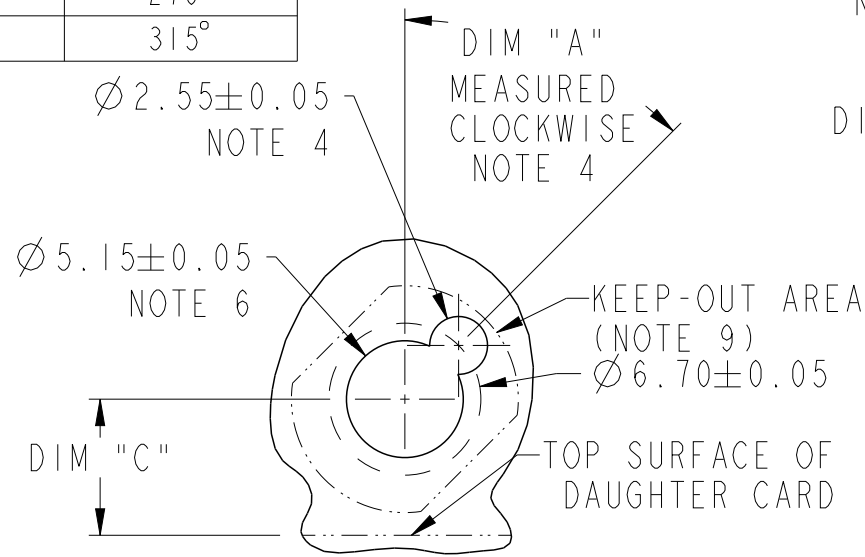
spec ref		-		dr	Kou Xu	2014/07/08	projection 	MM ←→	size	A4	scale	3:1
tolerance std	ASME Y14.5	TOLERANCES UNLESS OTHERWISE SPECIFIED		eng	Kou Xu	2014/07/13			ecn no	-		
				chr	-	-						
-		-		appr	Collins Lu	2014/07/13	product family	AirMax Accessories	rel level	Released		
surface	3.200	linear	0.X	±0.3		title	10.8mm GUIDE PIN	dwg no	10130758	rev	A	
			0.XX	±0.10								
ASME Y14.5		angular	0°	±2°	www.fci.com	cat. no.	-	Product - Customer Drw	sheet 1 of 3			

ProvE File - REV C - 2009-06-09

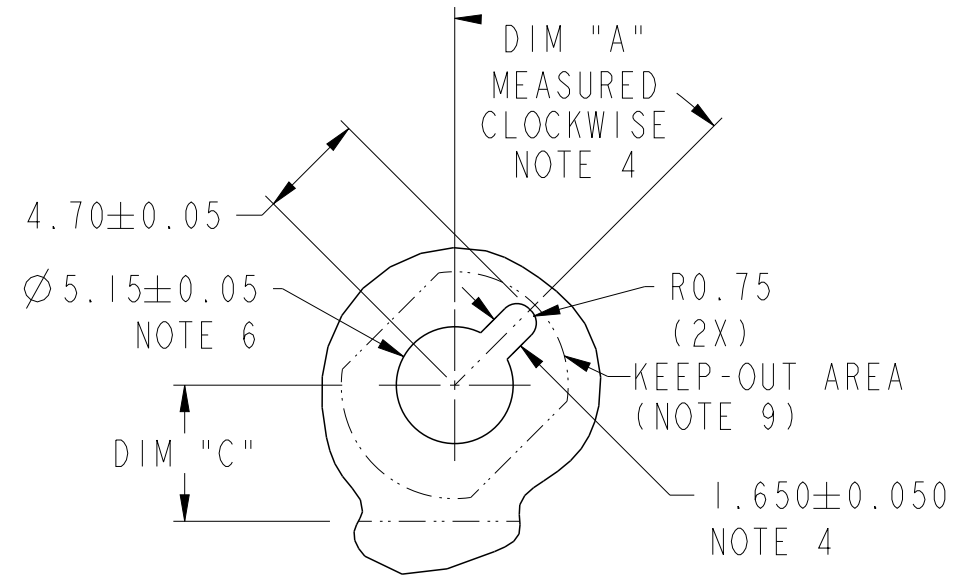


Copyright FCI.

10.8 MM RECEPTACLE GUIDE MODULE NOTE 4	DIM "A"
10037912-1X1LF	0°
10037912-1X2LF	45°
10037912-1X3LF	90°
10037912-1X4LF	135°
10037912-1X5LF	180°
10037912-1X6LF	225°
10037912-1X7LF	270°
10037912-1X8LF	315°



RECOMMENDED PCB LAYOUT (DRILLING)
NOTES 4, 5 & 6
SCALE 3:1



RECOMMENDED PCB LAYOUT (MILLING)
NOTE 4, 5 & 6
SCALE 3:1

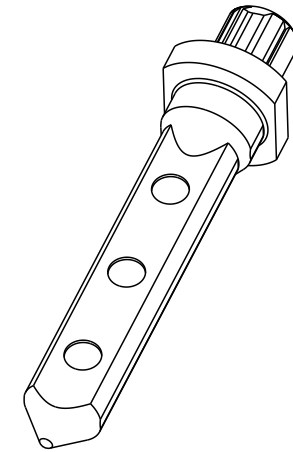


Copyright FCI.

spec ref	-	dr	Kou Xu	2014/07/08	projection	MM	size	A4	scale	3:1
tolerance std	ASME Y14.5	eng	Kou Xu	2014/07/13			ecn no	-	rel level	Released
TOLERANCES UNLESS OTHERWISE SPECIFIED		chr	-	-						
surface	✓	appr	Collins Lu	2014/07/13	product family	-	rev	10130758	A	
ASME Y14.5	linear	0.X	±0.3		title	10.8mm GUIDE PIN	cat. no.	-	Product - Customer Drw	sheet 2 of 3
		0.XX	±0.10							
		0.XXX	±0.05							
	angular	0°	±2°	www.fci.com						

Pro/E File - REV C - 2009-06-09

PRODUCT NUMBER	DIM "B"	DIM "C" 4/5 PAIR	DIM "C" 2/3 PAIR	DIM "D"
10130758-101LF	5.70	6.00	4.50	6.60
10130758-102LF	2.75	6.00	4.50	4.10
10130758-103LF	3.20	6.00	4.50	4.10
10130758-104LF	2.40	6.00	4.50	4.10



1. MATERIAL: ZINC ALLOY
2. FINISH: ZINC YELLOW CHROMATE
3. APPLICATION SPECIFICATION: GS-20-045
- ④. KEY HOLE ORIENTATION (DIM "A") WILL BE DEFINED BY THE MATING RECEPTACLE GUIDE MODULE PART NUMBER - SEE TABLE (ORIENTATION SHOWN IS FOR 10037912-1X2LF)
- ⑤. REFER TO CUSTOMER DRAWING 10035911 FOR INFORMATION REGARDING PCB LAYOUT OF POWER AND GUIDE MODULES RELATIVE TO SIGNAL MODULES
- ⑥. THRU HOLE PLATING AND ANNULAR RINGS MUST BE ADDED IN APPLICATIONS THAT USE THE ESD GROUNDING OPTION FINISHED HOLE SIZE IS THE SAME REGARDLESS OF PLATED BARREL OR NOT.
7. THIS PRODUCT MEETS EUROPEAN UNION DIRECTIVES AND OTHER COUNTRY REGULATIONS AS DESCRIBED IN GS-22-008.
8. PACKAGING MEETS GS-14-920 LEAD FREE LABELING SPECIFICATION.
- ⑨. KEEP OUT ZONE MATCH PROFILE OF SEATED GUIDE PIN, SEE SHEET 1 FOR REFERENCE DIMENSIONS OF GUIDE PIN OUTLINE.

spec ref	-	dr	Kou Xu	2014/07/08	projection	MM	size	A4	scale	3:1
tolerance std	TOLERANCES UNLESS OTHERWISE SPECIFIED	eng	Kou Xu	2014/07/13			ecn no	-	rel level	Released
ASME Y14.5		chr	-	-						
-		appr	Collins Lu	2014/07/13	product family	AirMax Accessories				
surface	3.2	linear	0.X	±0.3		title	10.8mm GUIDE PIN	dwg no	10130758	rev
ASME Y14.5	angular	0.XX	±0.10							
		0.XXX	±0.05							
ASME Y14.5	angular	0°	±2°	www.fci.com	cat. no.	-	Product - Customer Drw	sheet 3 of 3		