



Chipsmall Limited consists of a professional team with an average of over 10 year of expertise in the distribution of electronic components. Based in Hongkong, we have already established firm and mutual-benefit business relationships with customers from,Europe,America and south Asia,supplying obsolete and hard-to-find components to meet their specific needs.

With the principle of “Quality Parts,Customers Priority,Honest Operation,and Considerate Service”,our business mainly focus on the distribution of electronic components. Line cards we deal with include Microchip,ALPS,ROHM,Xilinx,Pulse,ON,Everlight and Freescale. Main products comprise IC,Modules,Potentiometer,IC Socket,Relay,Connector.Our parts cover such applications as commercial,industrial, and automotives areas.

We are looking forward to setting up business relationship with you and hope to provide you with the best service and solution. Let us make a better world for our industry!



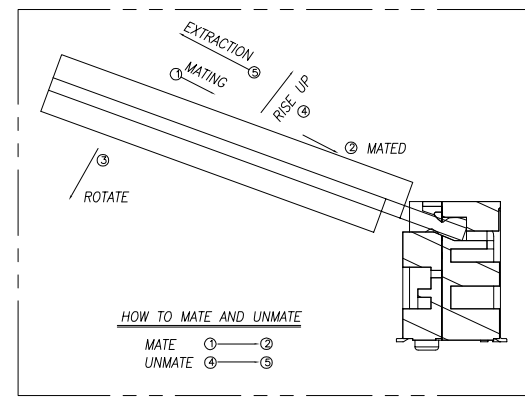
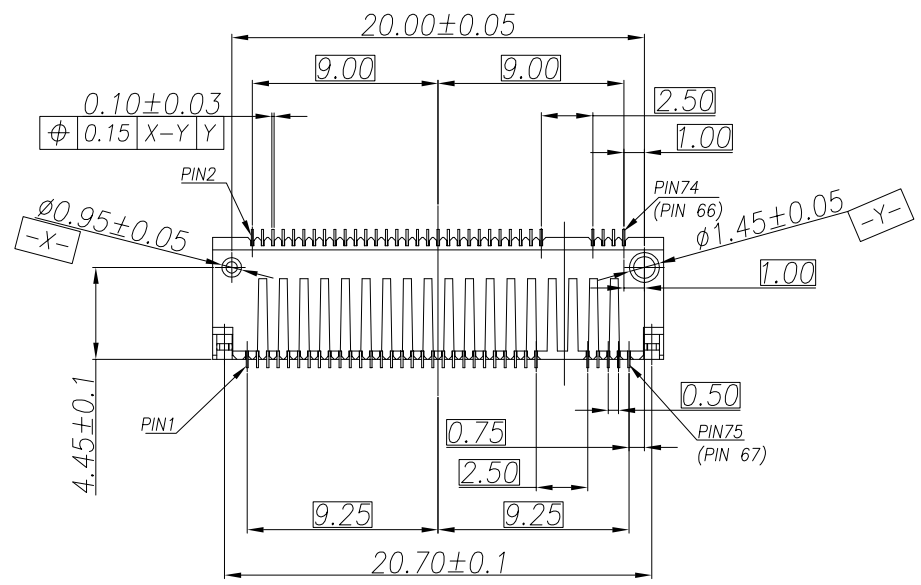
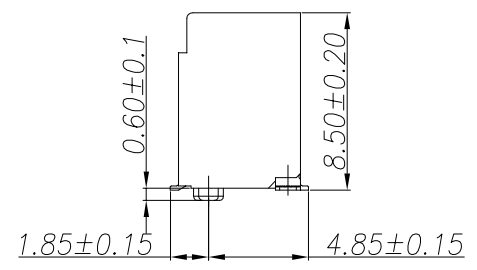
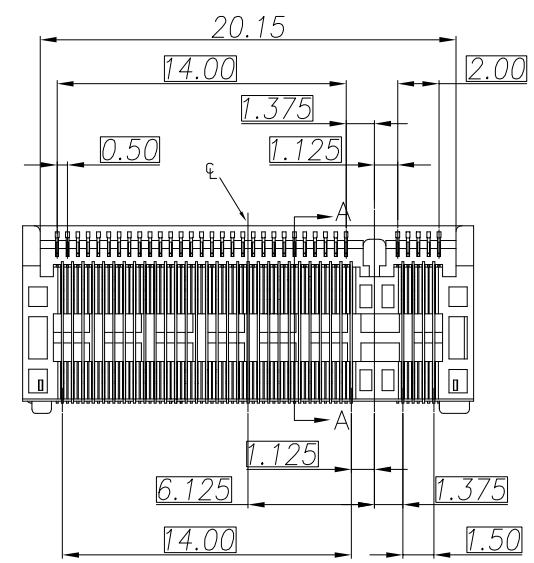
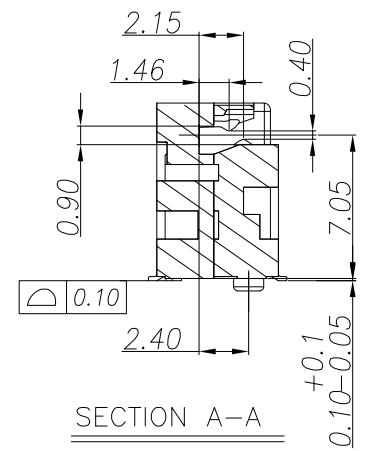
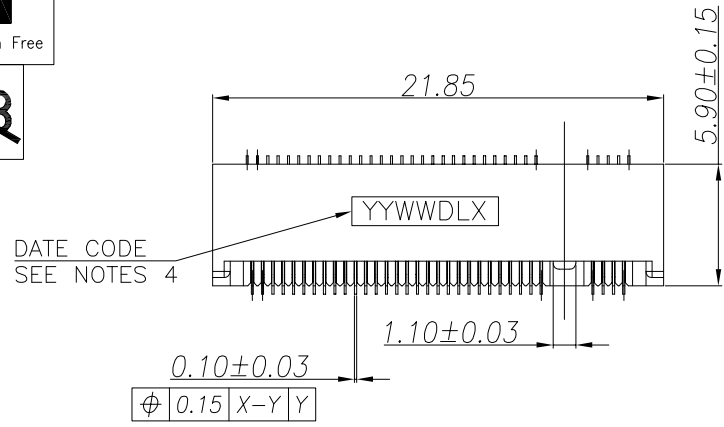
Contact us

Tel: +86-755-8981 8866 Fax: +86-755-8427 6832

Email & Skype: info@chipsmall.com Web: www.chipsmall.com

Address: A1208, Overseas Decoration Building, #122 Zhenhua RD., Futian, Shenzhen, China





NOTES:

- MATERIAL:
 - HOUSING: HIGH TEMPERATURE THERMOPLASTIC, UL94V-0, COLOR: BLACK
 - CONTACTS: COPPER ALLOY;
 - PEG: STAINLESS STEEL.
- REFLOW SOLDER CAPABLE TO 260°C.
- FINISH:

CONTACT: GOLD(SEE TABLE) PLATED ON CONTACT AREA AND GOLD FLASH ON SOLDERING AREA. 50u" MIN NICKEL UNDERPLATING OVERALL.

PEG: 80u" MIN. MATTE-TIN PLATED ON SOLDERING AREA.

50u" MIN. NICKEL UNDERPLATING.
- DATE CODE : YYWWDLX

YY: YEAR (09: 2009)
 WW: WEEK (25: THE 25TH WEEK)
 D: DAY (1~7: SUNDAY~SATURDAY)
 L: LINE NUMBER OF ASSEMBLY (A: LINE A)
 X: D OR N (D: DAY; N: NIGHT)
- CONNECTOR ACTUAL PIN QUANTITY IS 67, AS THE KEY TAKING OUT 8 PINS.
- PRODUCT SPECIFICATION: GS-12-1195.
- PART NUMBER DESCRIPTION:

10131758-00XXLF

LF: LEAD FREE

PACKAGE CODE

R: TAPE & REEL PACKAGE (32MM, CARD SLOT FORWARD)

1: TAPE & REEL PACKAGE (32MM, CARD SLOT BACKWARD)

PLATING CODE

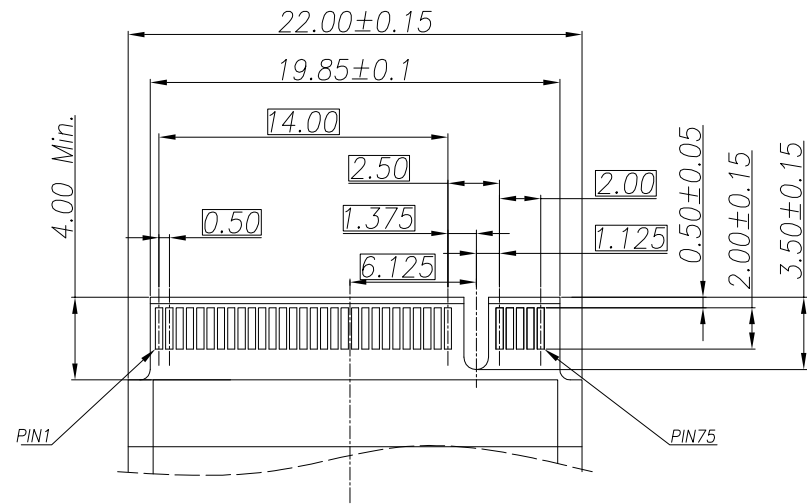
1: AU 1u" MIN

4: AU 15u" MIN

5: AU 30u" MIN

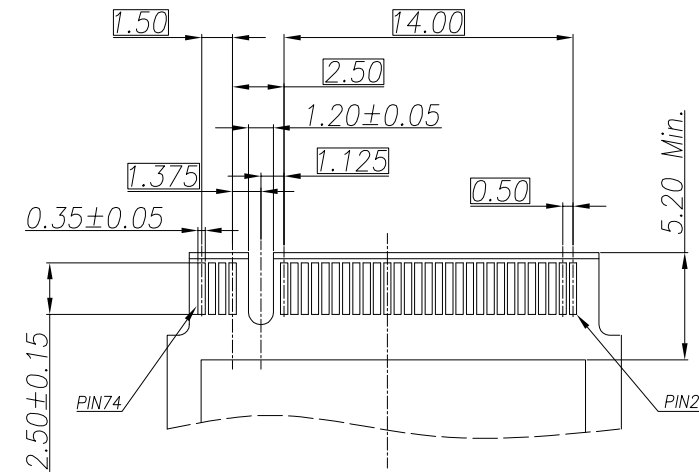
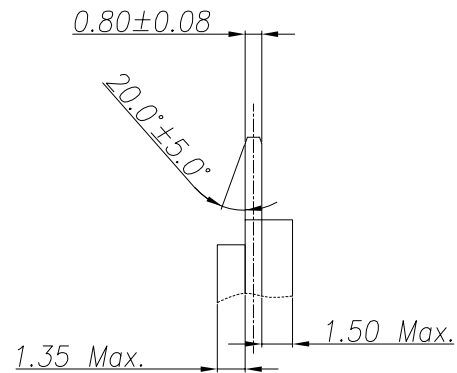
mat'l. code		surface		tolerance		projection		product family	
-		-		ASME_Y14.5				-	
ltr		ecn no		dr		date		title	
A		-		TAI		2015-01-09		M.2_CONNECTOR_KEY_M	
B		DG-27072		LZH		2017-05-23		8.5MM_HEIGHT	
C		DG-28874		LZH		2017-12-25		8.5MM_HEIGHT	
dr		KENNY_TAI		2014-09-15				sheet 1 of 4	
engr		KENNY_TAI		2014-09-15				10131758	
chr		KENNY_TAI		2014-09-15				A4	
appd		PM_ZHENG		2014-09-15				CUSTOMER Drawing	
sheet index		revision sheet		c					

HF
Halogen Free



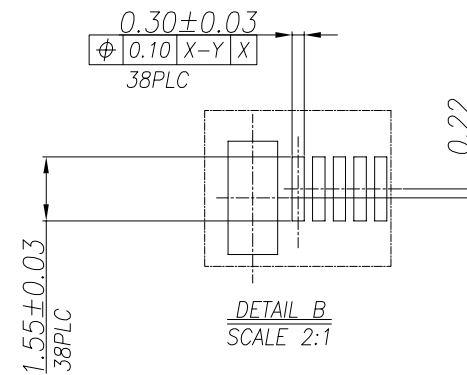
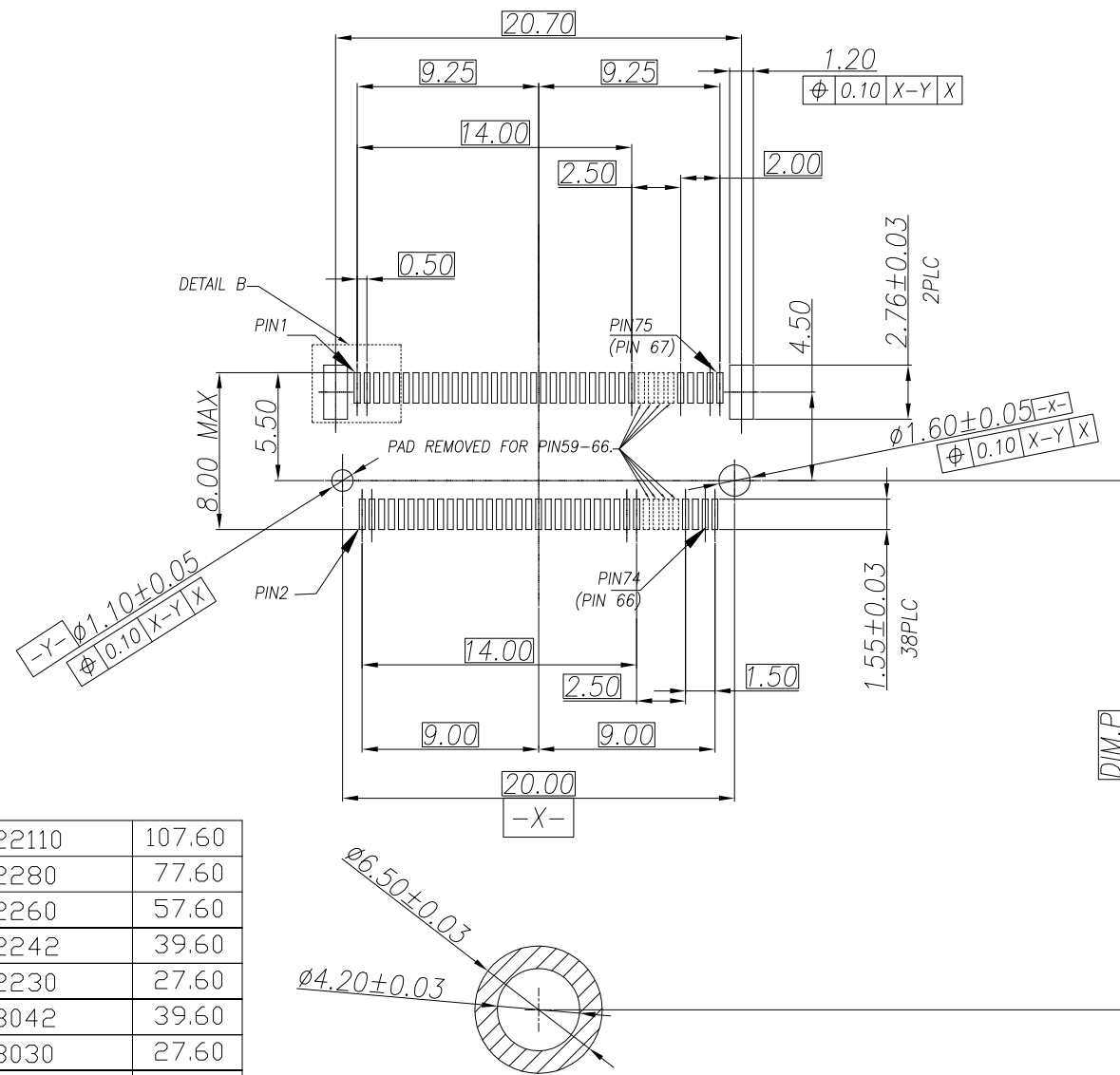
TOP SIDE

PLUG PCB



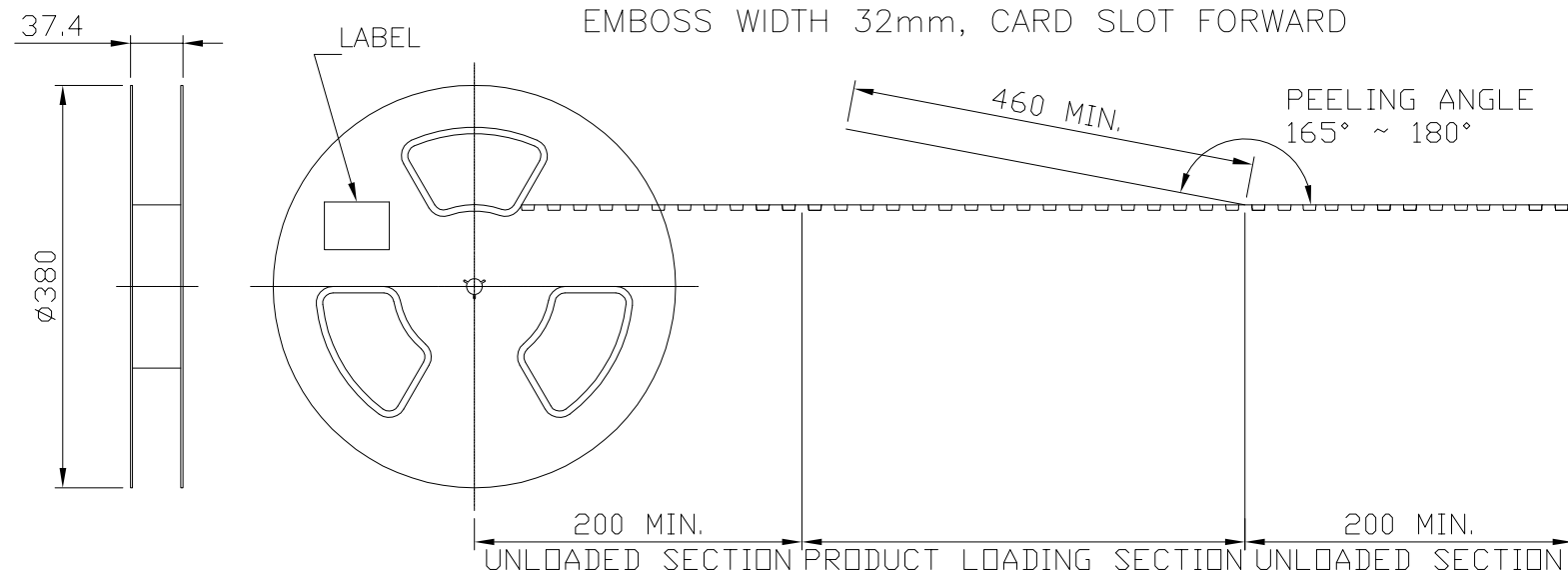
BOTTOM SIDE

RECOMMENDED PCB LAYOUT



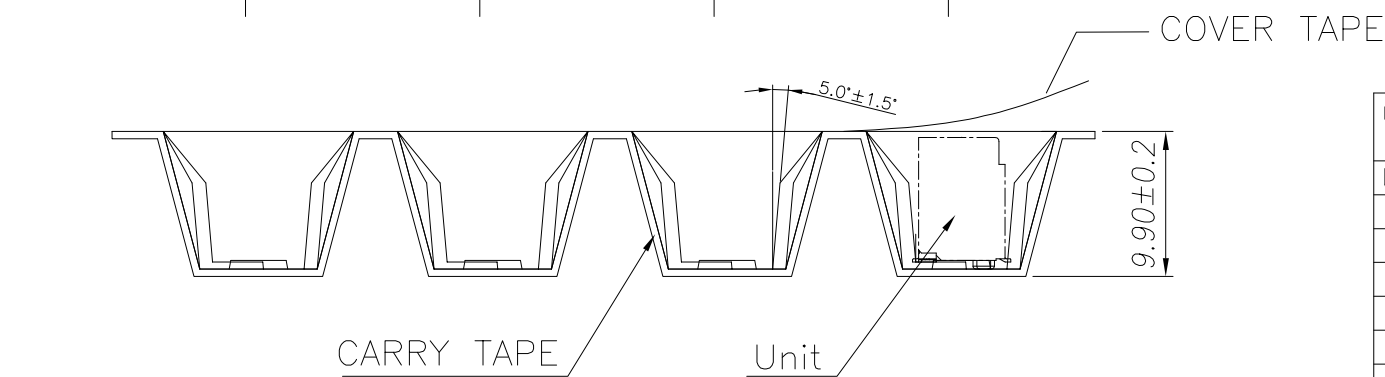
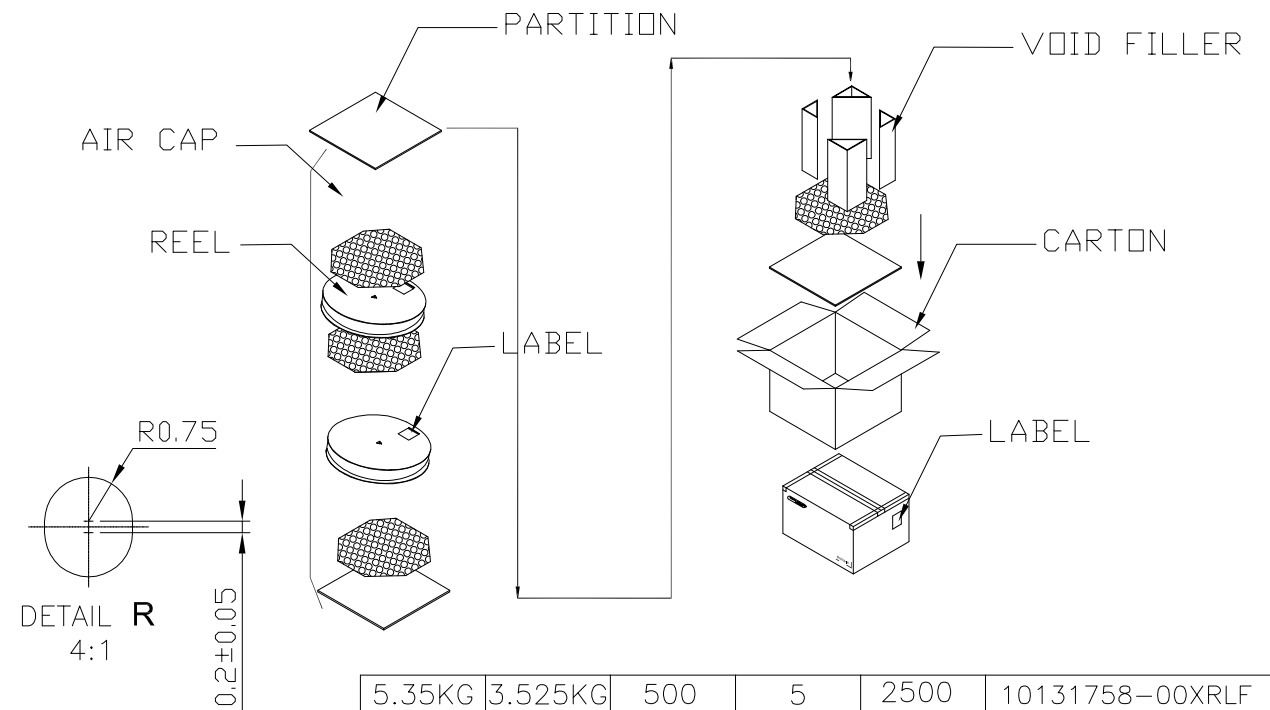
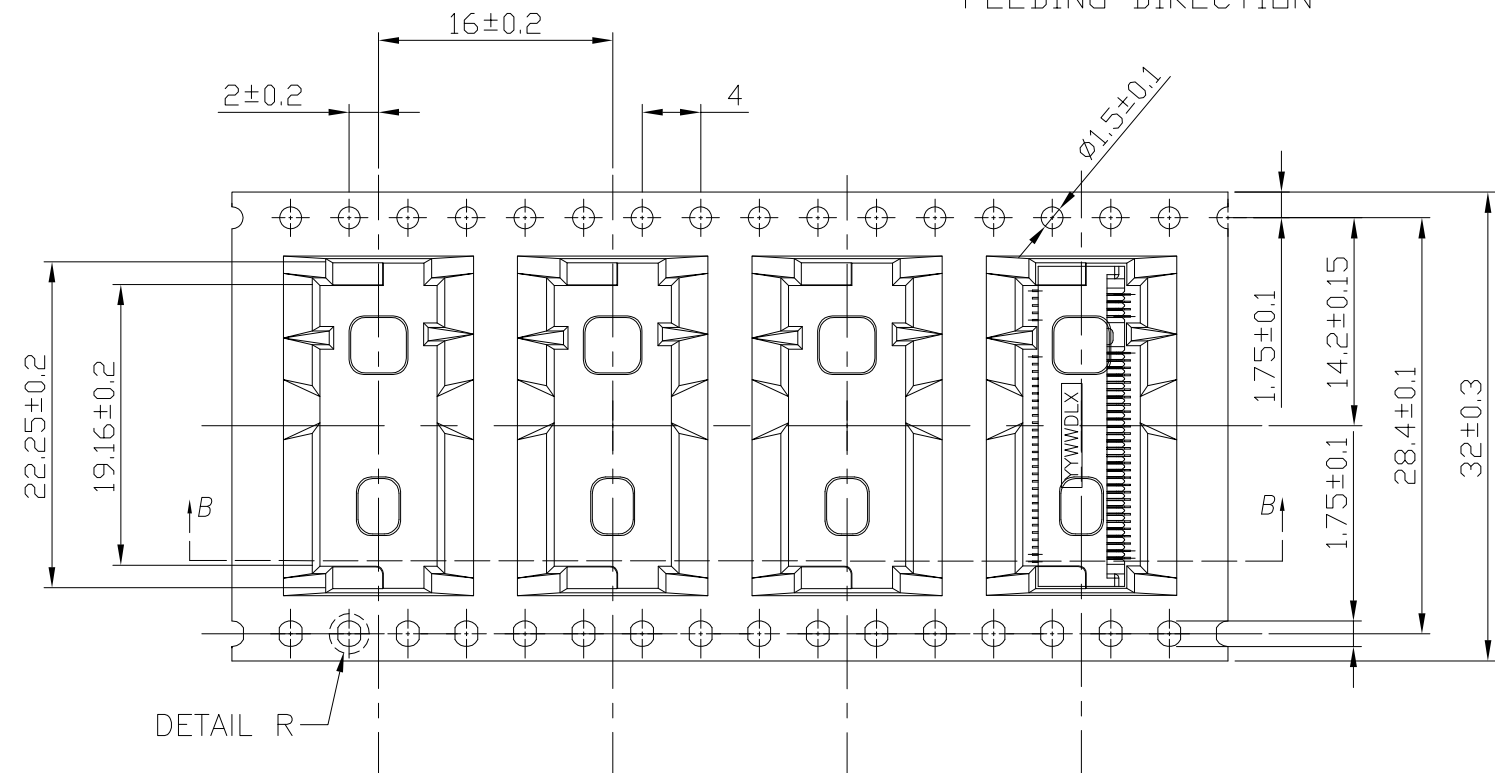
22110	107.60
2280	77.60
2260	57.60
2242	39.60
2230	27.60
3042	39.60
3030	27.60
MODULE TYPE	DIM.P

mat'l. code				surface		tolerance		projection		product family					
-				-		ASME_Y14.5				-					
ltr				ecn no		dr		date		title					
										M.2_CONNECTOR_KEY_M					
										8.5MM_HEIGHT					
								MM		5					
								scale N/A		dwg no					
								Amphenol FCI		sheet 2 of 4					
										size					
										A4					
										type					
										CUSTOMER Drawing					
sheet index		revision sheet		c											



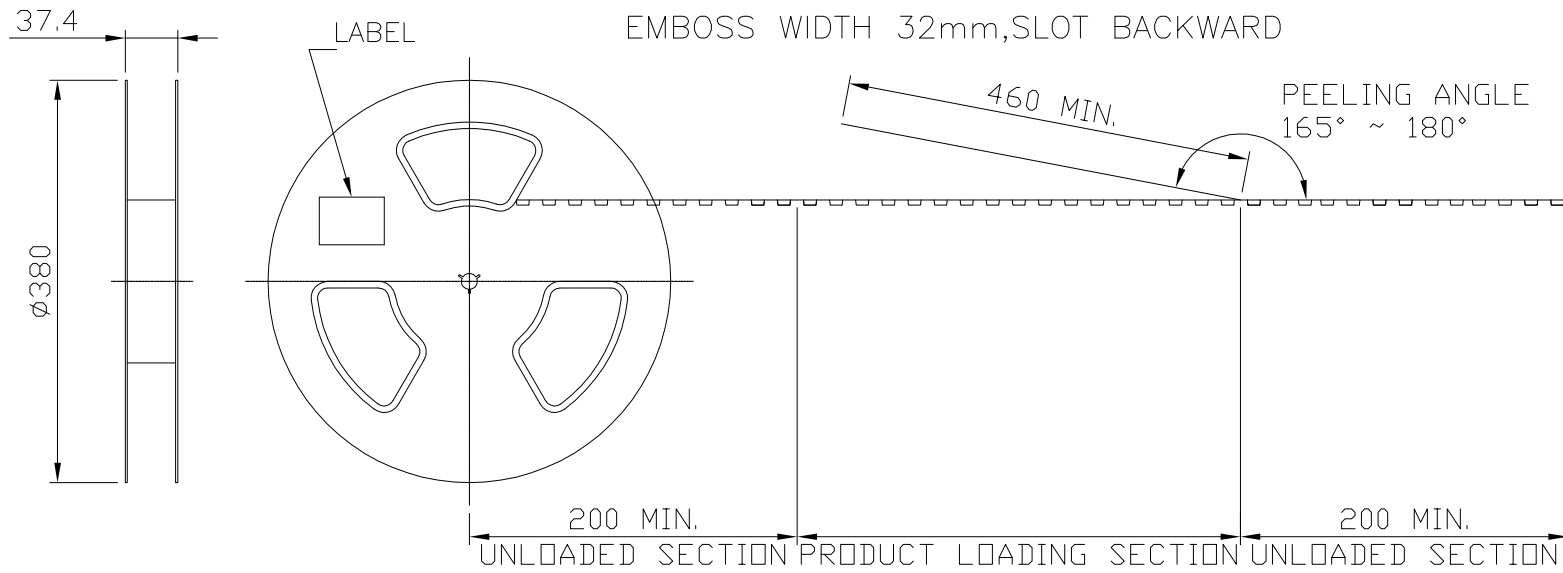
NOTES :

- MATERIAL :
COVER TAPE : ANTISTATIC P.S T=0.05±0.01 ,COLOR:CLEAR
CARRIER TAPE : ANTISTATIC P.S T=0.40±0.10,COLOR:BLACK
REEL : PS UL94V-0
CARTON: CORRUGATED FIBER
- DIMENSION :
REEL : SEE DRAWING
SHIPPING BOX: 385X385X295mm
- QUANTITY : SEE TABLE
- PEELING RESISTANCE : 10gf~130gf (for 12~56mm)
- PEELING SPEED : 300mm/MINUTES



5.35KG	3.525KG	500	5	2500	10131758-00XRLF
GROSS WEIGHT	NET WEIGHT	PCS/ REEL	REEL/ CARTON	PCS/ CARTON	PART NUMBER

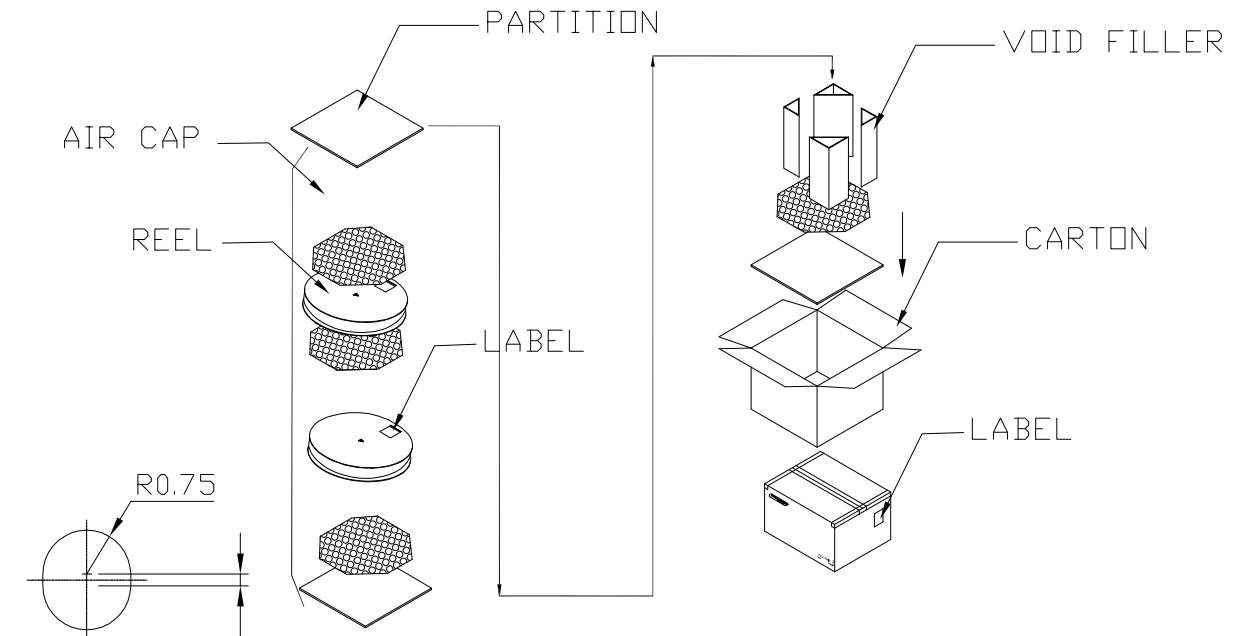
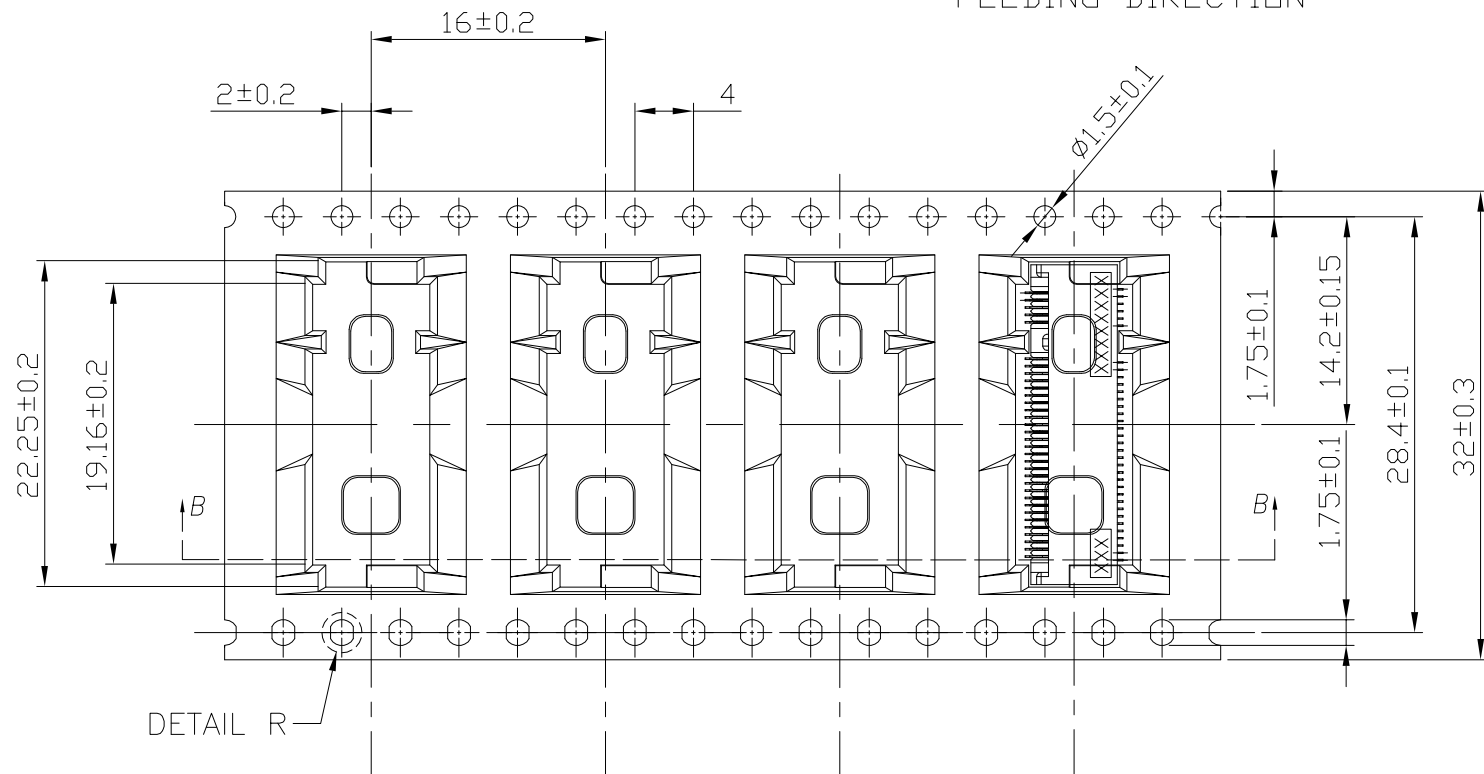
mat'l. code				surface	tolerance	projection	product family		
-				-	ASME_Y14.5		-		
ltr	ecn no	dr	date	tolerances unless otherwise specified			title		
				angles	Linear	MM	M.2_CONNECTOR_KEY_M		
				±2°		scale N/A	8.5MM_HEIGHT		
				dr	KENNY_TAI	2014-09-15		sheet 3 of 4	
				engr	KENNY_TAI	2014-09-15		size	
				chr	KENNY_TAI	2014-09-15		A4	
				appd	PM_ZHENG	2014-09-15		type	
sheet index		revision sheet	c				CUSTOMER Drawing		



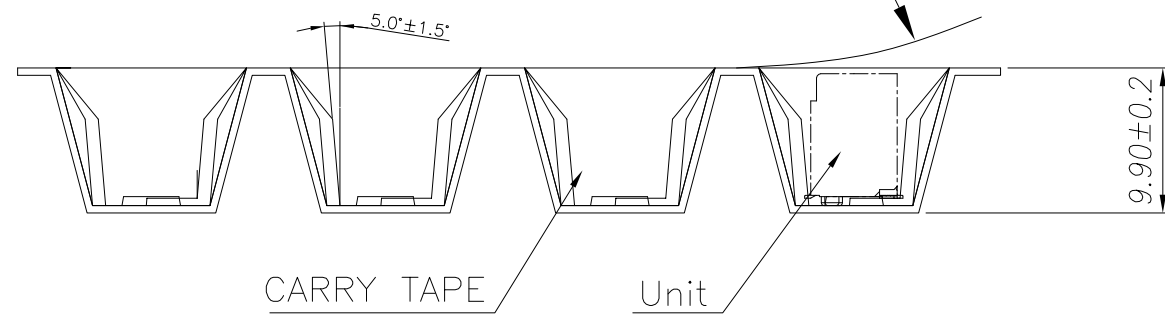
NOTES :

1. MATERIAL :
COVER TAPE : ANTISTATIC P.S T=0.05±0.01 ,COLOR:CLEAR
CARRIER TAPE : ANTISTATIC P.S T=0.40±0.10,COLOR:BLACK
REEL : PS UL94V-0
CARTON: CORRUGATED FIBER
2. DIMENSION :
REEL : SEE DRAWING
SHIPPING BOX: 385X385X295mm
3. QUANTITY : SEE TABLE
4. PEELING RESISTANCE : 10gf~130gf (for 12~56mm)
5. PEELING SPEED : 300mm/MINUTES

FEEDING DIRECTION →



COVER TAPE



5.35KG	3.525KG	500	5	2500	10131758-00X1LF
GROSS WEIGHT	NET WEIGHT	PCS/ REEL	REEL/ CARTON	PCS/ CARTON	PART NUMBER

mat'l. code				surface	tolerance	projection	product family	
-				-	ASME_Y14.5		-	
ltr	ecn no	dr	date	tolerances unless otherwise specified		MM	title	
				angles	Linear			M.2_CONNECTOR_KEY_M 8.5MM_HEIGHT
				±2°	Linear			
					Linear			
		dr	KENNY_TAI	2014-09-15			sheet 4 of 4 size 10131758 A4 type CUSTOMER Drawing	
		engr	KENNY_TAI	2014-09-15				
		chr	KENNY_TAI	2014-09-15				
		appd	PM_ZHENG	2014-09-15				
sheet index	revision sheet	c						