



Chipsmall Limited consists of a professional team with an average of over 10 year of expertise in the distribution of electronic components. Based in Hongkong, we have already established firm and mutual-benefit business relationships with customers from,Europe,America and south Asia,supplying obsolete and hard-to-find components to meet their specific needs.

With the principle of “Quality Parts,Customers Priority,Honest Operation,and Considerate Service”,our business mainly focus on the distribution of electronic components. Line cards we deal with include Microchip,ALPS,ROHM,Xilinx,Pulse,ON,Everlight and Freescale. Main products comprise IC,Modules,Potentiometer,IC Socket,Relay,Connector.Our parts cover such applications as commercial,industrial, and automotives areas.

We are looking forward to setting up business relationship with you and hope to provide you with the best service and solution. Let us make a better world for our industry!



## Contact us

Tel: +86-755-8981 8866 Fax: +86-755-8427 6832

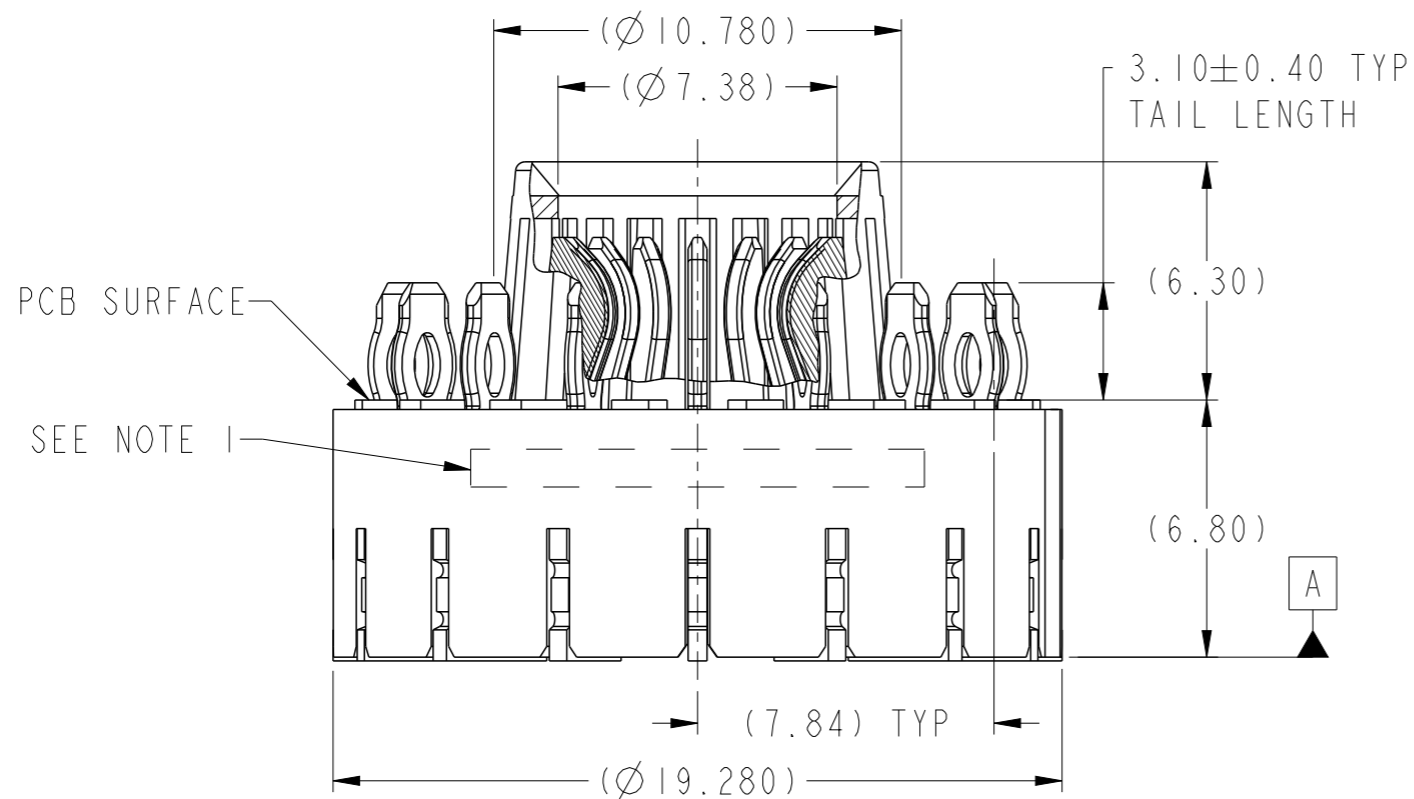
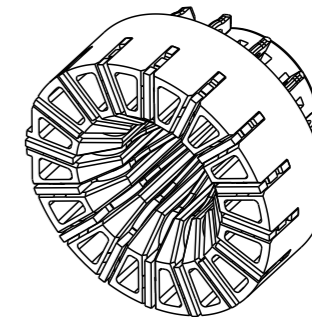
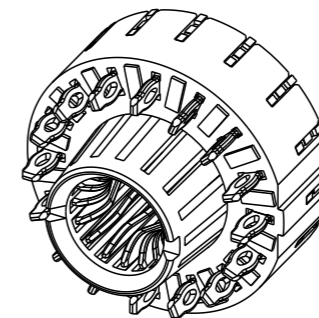
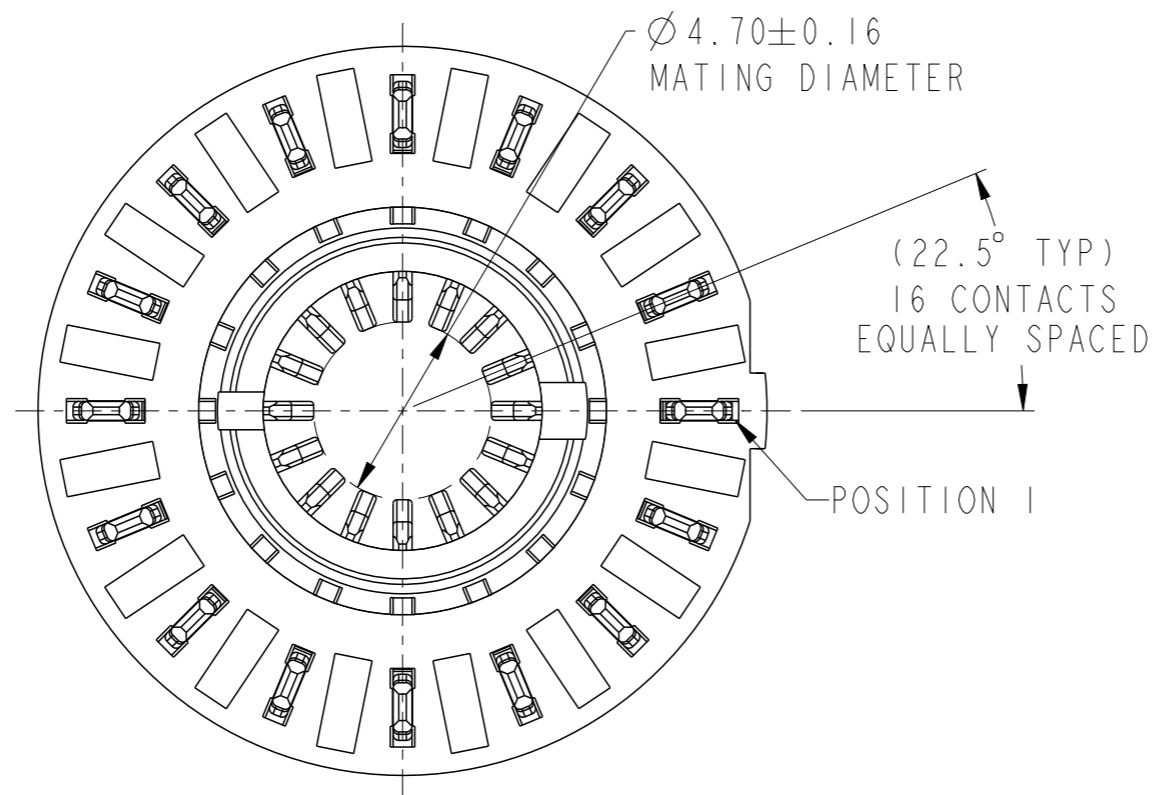
Email & Skype: info@chipsmall.com Web: www.chipsmall.com

Address: A1208, Overseas Decoration Building, #122 Zhenhua RD., Futian, Shenzhen, China



Product number

10132381-20600LF



spec ref	-	dr	T Brungard	2015/05/14	projection	mm	size	A3	scale	5:1	
tolerance std	ISO 406 ISO 1101	eng	Andy Lu	2017/04/20			ecn no	ELX-DG-26722-1	rel level	Released	
TOLERANCES UNLESS OTHERWISE SPECIFIED		chr	QinShan Feng	2017/04/21							product family
surface	linear	0.X	±0.5	<b>Amphenol FCI</b> www.fci.com	ASSEMBLY FOR $\varnothing 6.00$ mm PIN		dwg no 10132381-20600LF	rev <b>C</b>	Product - Customer Drw		
		0.XX	±0.25		VERT RECEPTACLE, SheerPwr Circular				cat. no.	-	sheet 1 of 2
ISO 1302	angular	0°	±2°		Product - Customer Drw				sheet 1 of 2		

1

2

3

4

A

B

C

D

A

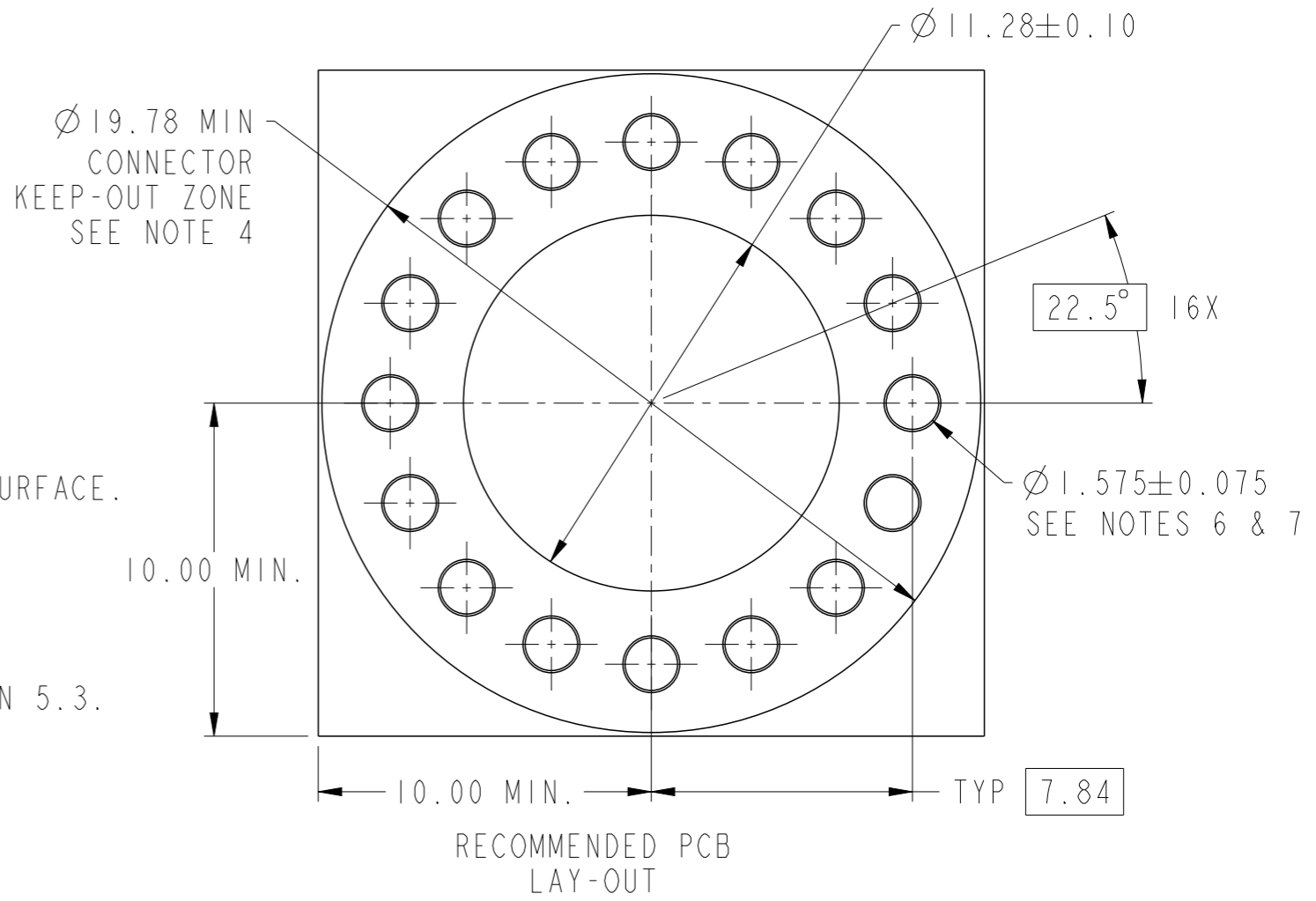
B

C

D

NOTES:

- ① PART NUMBER AND DATE CODE TO BE MARKED ON THIS SURFACE. THE P/N CAN BE OMITTED IF THERE IS NOT ENOUGH SPACE ON THIS SURFACE.
- 2. MATERIALS:  
HOUSING - GLASS FILLED WITH HIGH TEMP POLYAMIDE, UL94V-0.  
POWER CONTACTS - HIGH CONDUCTIVITY COPPER ALLOY.
- 3. PLATING SPECIFICATION - REFER TO PRODUCT SPECIFICATION SECTION 5.3.
- ④ DENOTES CONNECTOR KEEP OUT ZONE.
- 5. DATUMS AND BASIC DIMENSIONS ARE ESTABLISHED BY CUSTOMER.
- ⑥ ALL HOLE DIAMETERS ARE FINISHED HOLE SIZES.
- ⑦ 1.705±0.025mm DRILLED HOLE PLATED WITH 7.62µm MIN Sn OVER 25.4µm-76.2µm Cu PLATING TO ACHIEVE A 1.575±0.075mm FINISHED HOLE.
- 8. PRODUCT SPECIFICATION - REFER TO FCI GS-12-1316.  
APPLICATION SPECIFICATION - REFER TO FCI GS-20-0467.  
PRODUCT PACKAGE IN TRAYS - REFER TO FCI GS-14-2526.
- 9. CONNECTOR DESIGNED TO MATE WITH A Ø6.00±0.03mm MATING PIN. CONNECTOR CAN HANDLE A ±0.64mm PERMANENT MISALIGNMENT OF THE MATING PIN.
- 11. THIS PRODUCT MEETS EUROPEAN UNION DIRECTIVES AND OTHER COUNTRY REGULATIONS AS DESCRIBED IN GS-47-0004.



Amphenol FCI

© 2016 AFCI

spec ref -		dr	T Brungard	2015/05/14	projection	mm	size	A3	scale	5:1								
tolerance std		TOLERANCES UNLESS OTHERWISE SPECIFIED					ecn no	ELX-DG-26722-1										
ISO 406 ISO 1101		eng	Andy Lu	2017/04/20				product family	SheerPwr		rel level		Released					
surface -	linear	chr	QinShan Feng	2017/04/21														
		appr	Pei-Ming Zheng	2017/04/21														
		ISO 1302		angular														