



Chipsmall Limited consists of a professional team with an average of over 10 year of expertise in the distribution of electronic components. Based in Hongkong, we have already established firm and mutual-benefit business relationships with customers from,Europe,America and south Asia,supplying obsolete and hard-to-find components to meet their specific needs.

With the principle of "Quality Parts,Customers Priority,Honest Operation,and Considerate Service",our business mainly focus on the distribution of electronic components. Line cards we deal with include Microchip,ALPS,ROHM,Xilinx,Pulse,ON,Everlight and Freescale. Main products comprise IC,Modules,Potentiometer,IC Socket,Relay,Connector.Our parts cover such applications as commercial,industrial, and automotives areas.

We are looking forward to setting up business relationship with you and hope to provide you with the best service and solution. Let us make a better world for our industry!



## Contact us

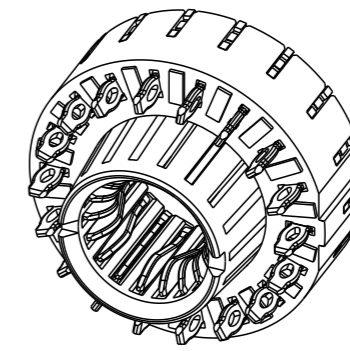
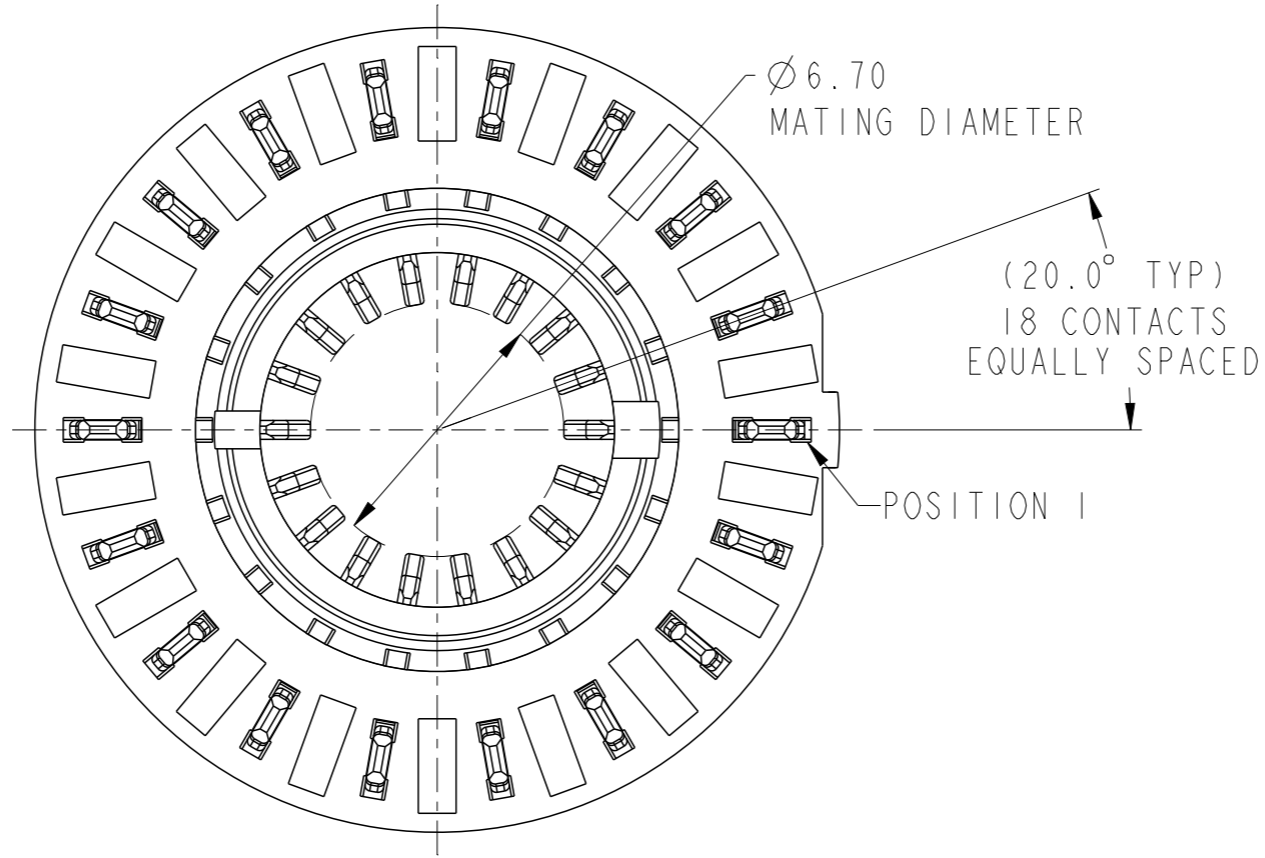
Tel: +86-755-8981 8866 Fax: +86-755-8427 6832

Email & Skype: info@chipsmall.com Web: www.chipsmall.com

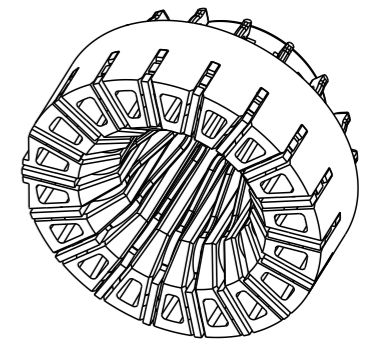
Address: A1208, Overseas Decoration Building, #122 Zhenhua RD., Futian, Shenzhen, China



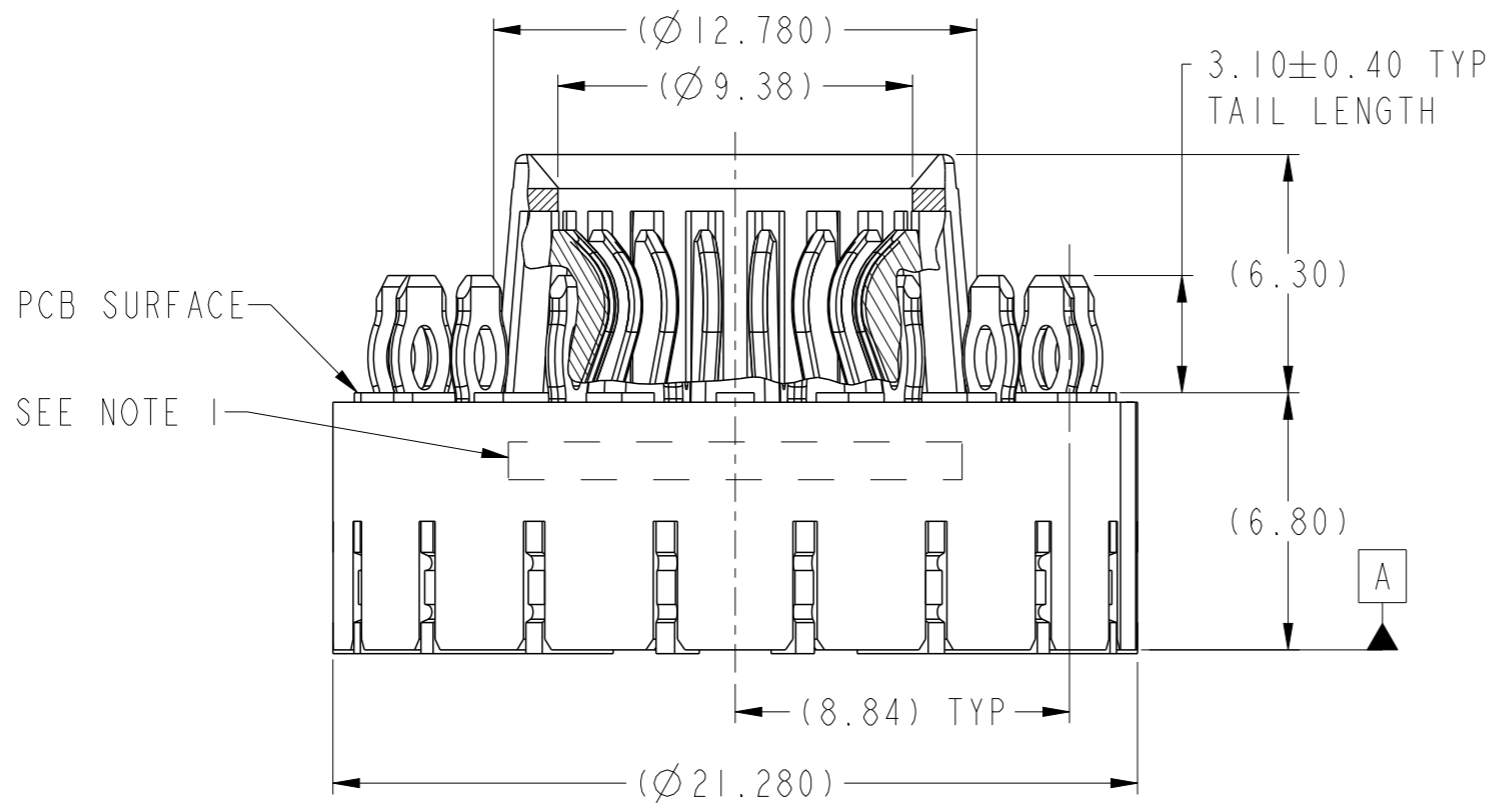
Product number  
10132381-20800LF



SCALE 2:1



SCALE 2:1



spec ref	-	dr	T Brungard	2016/02/27	projection	mm	size	A3	scale	5:1
tolerance std	ISO 406 ISO 1101	eng	Andy Lu	2017/03/21			ecn no	rel level	Preliminary	rev
TOLERANCES UNLESS OTHERWISE SPECIFIED		chr	-	product family						
surface	linear	0.X	±0.5	<b>Amphenol FCI</b> www.fci.com	ASSEMBLY FOR Ø8.00mm PIN		dwg no 10132381-20800LF	Product - Customer Drw		sheet 1 of 2
		0.XX	±0.25		VERT RECEPTACLE, SheerPwr Circular					
	angular	0°	±2°		cat. no.	-				

1

2

3

4

A

B

C

D

A

B

C

D

Ø21.78 MIN  
CONNECTOR  
KEEP-OUT ZONE  
SEE NOTE 4

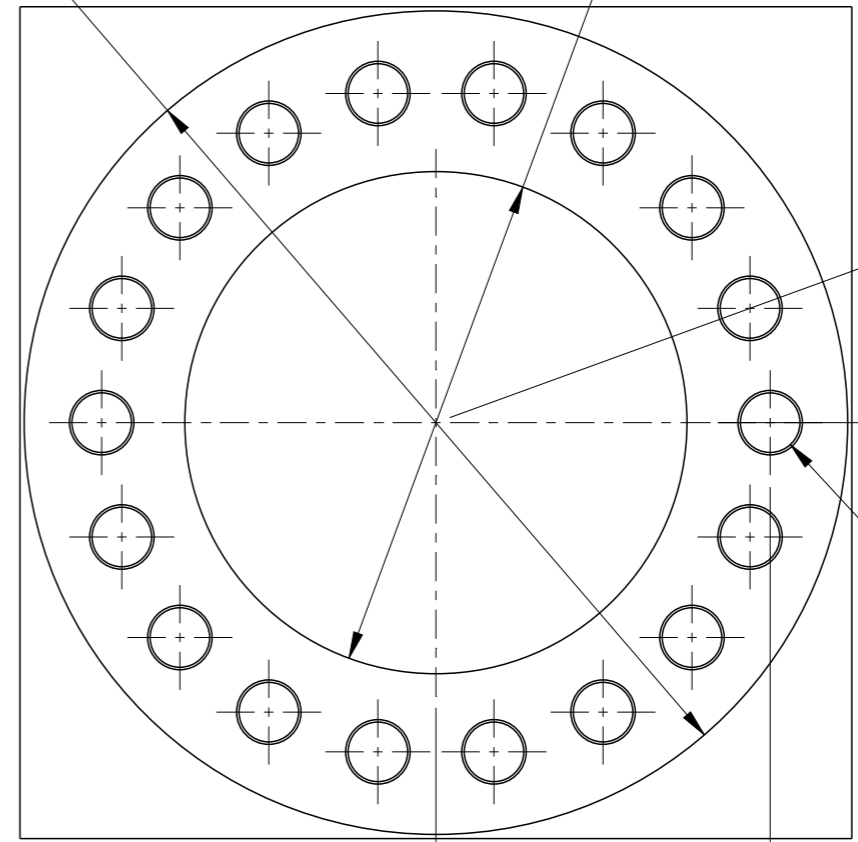
Ø13.28±0.10

20.0° 18X

Ø1.575±0.075  
SEE NOTES 6 & 7

⊕ Ø0.10


11.00 MIN.



11.00 MIN. TYP 8.84

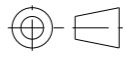
RECOMMENDED PCB  
LAY-OUT

NOTES:

- 1. LOGO, PART NUMBER AND DATE CODE TO BE MARKED ON THIS SURFACE. THE P/N OR LOGO CAN BE OMITTED IF THERE IS NOT ENOUGH SPACE.
- 2. MATERIALS:  
HOUSING - GLASS FILLED WITH HIGH TEMP POLYAMIDE, UL94V-0.  
POWER CONTACTS - HIGH CONDUCTIVITY COPPER ALLOY.
- 3. PLATING SPECIFICATION - REFER TO SECTION 5.3 IN GS-12-1316.
- 4. DENOTES CONNECTOR KEEP OUT ZONE.
- 5. DATUMS AND BASIC DIMENSIONS ARE ESTABLISHED BY CUSTOMER.
- 6. ALL HOLE DIAMETERS ARE FINISHED HOLE SIZES.
- 7. 1.705±0.025mm DRILLED HOLE PLATED WITH 7.62µm MIN Sn OVER 25.4µm-76.2µm Cu PLATING TO ACHIEVE A 1.575±0.075mm FINISHED HOLE.
- 8. PRODUCT SPECIFICATION - REFER TO GS-12-1316.  
APPLICATION SPECIFICATION - REFER TO GS-20-0467.  
PRODUCT PACKAGE IN TRAYS - REFER TO GS-14-2526.
- 9. CONNECTOR DESIGNED TO MATE WITH A Ø8.00±0.03mm MATING PIN. CONNECTOR CAN HANDLE A ±0.64mm PERMANENT MISALIGNMENT OF THE MATING PIN.
- 10. A  SYMBOL WILL BE NEXT TO ANY DIMENSION, VIEW, OR NOTE WHICH HAS BEEN MODIFIED WITH THE CURRENT DRAWING REVISION.

Amphenol  
FCi

© 2016 AFCI

spec ref -		dr T Brungard	2016/02/27	projection	mm	size A3	scale 5:1
tolerance std ISO 406 ISO 1101		TOLERANCES UNLESS OTHERWISE SPECIFIED			← →	ecn no -	
surface -		eng Andy Lu	2017/03/21			product family SheerPwr	rel level Preliminary
ISO 1302	linear	0.X	±0.5	ASSEMBLY FOR Ø8.00mm PIN VERT RECEPTACLE, SheerPwr Circular		dwg no 10132381-20800LF	rev 1
		0.XX	±0.25				
		0.XXX	±0.130				
	angular	0°	±2°	www.fci.com cat. no. -		Product - Customer Drw sheet 2 of 2	

3

4