



Chipsmall Limited consists of a professional team with an average of over 10 year of expertise in the distribution of electronic components. Based in Hongkong, we have already established firm and mutual-benefit business relationships with customers from,Europe,America and south Asia,supplying obsolete and hard-to-find components to meet their specific needs.

With the principle of "Quality Parts,Customers Priority,Honest Operation,and Considerate Service",our business mainly focus on the distribution of electronic components. Line cards we deal with include Microchip,ALPS,ROHM,Xilinx,Pulse,ON,Everlight and Freescale. Main products comprise IC,Modules,Potentiometer,IC Socket,Relay,Connector.Our parts cover such applications as commercial,industrial, and automotives areas.

We are looking forward to setting up business relationship with you and hope to provide you with the best service and solution. Let us make a better world for our industry!



Contact us

Tel: +86-755-8981 8866 Fax: +86-755-8427 6832

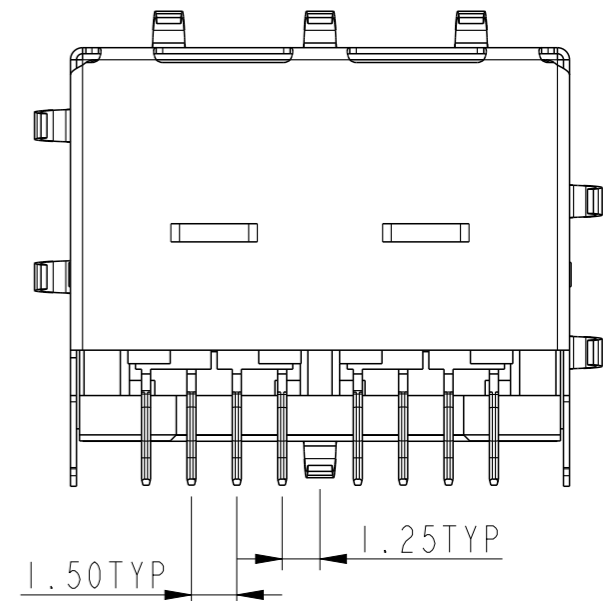
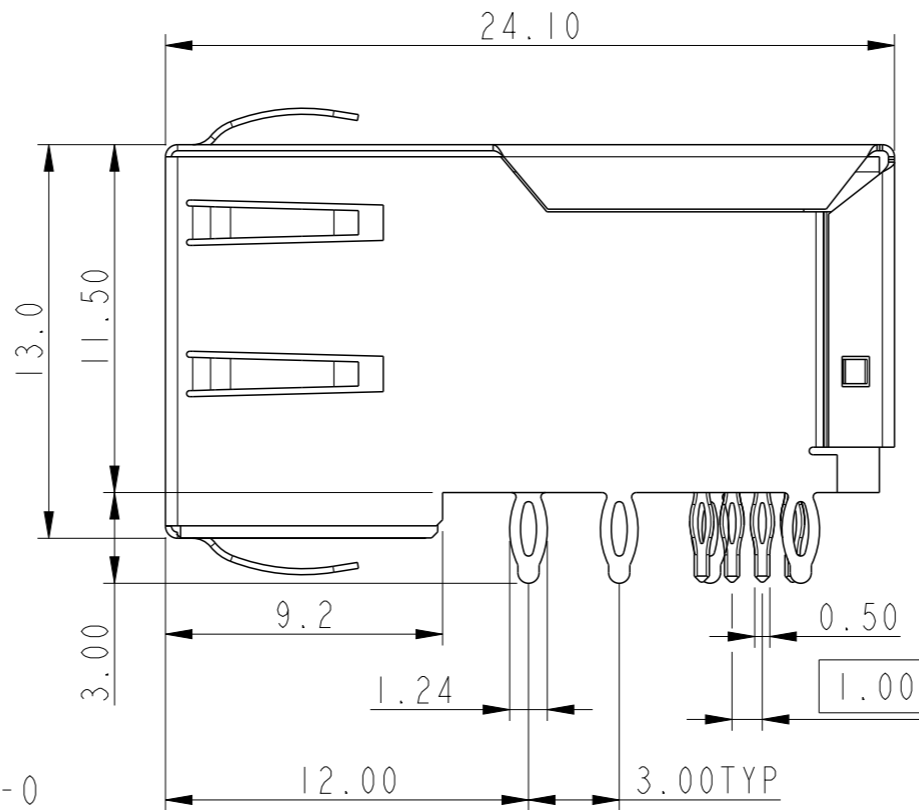
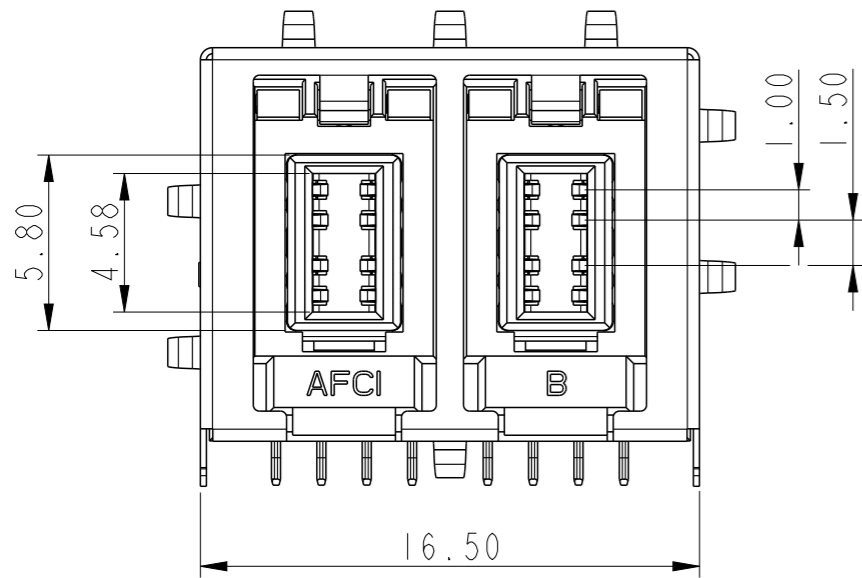
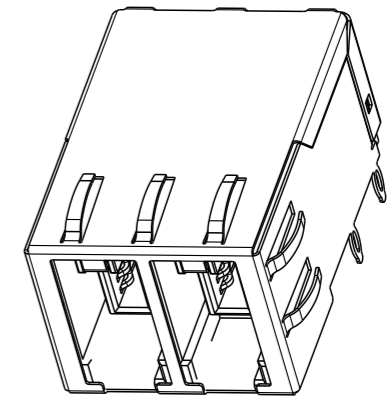
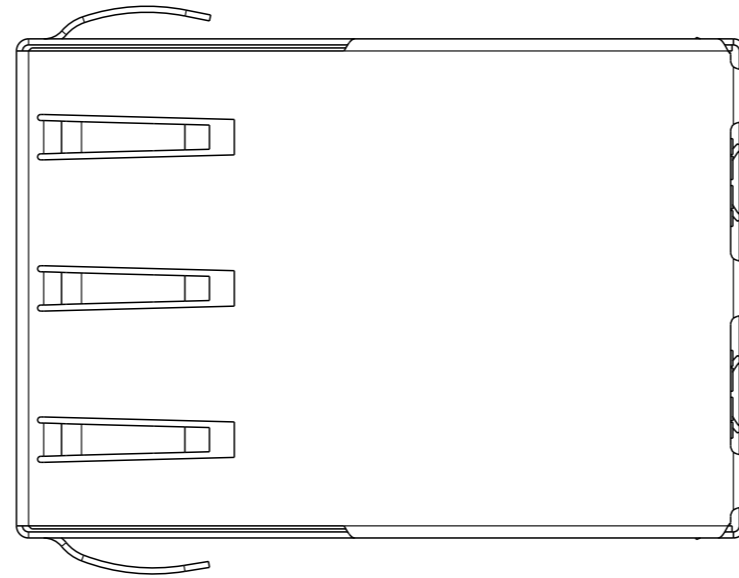
Email & Skype: info@chipsmall.com Web: www.chipsmall.com

Address: A1208, Overseas Decoration Building, #122 Zhenhua RD., Futian, Shenzhen, China



PART NO.

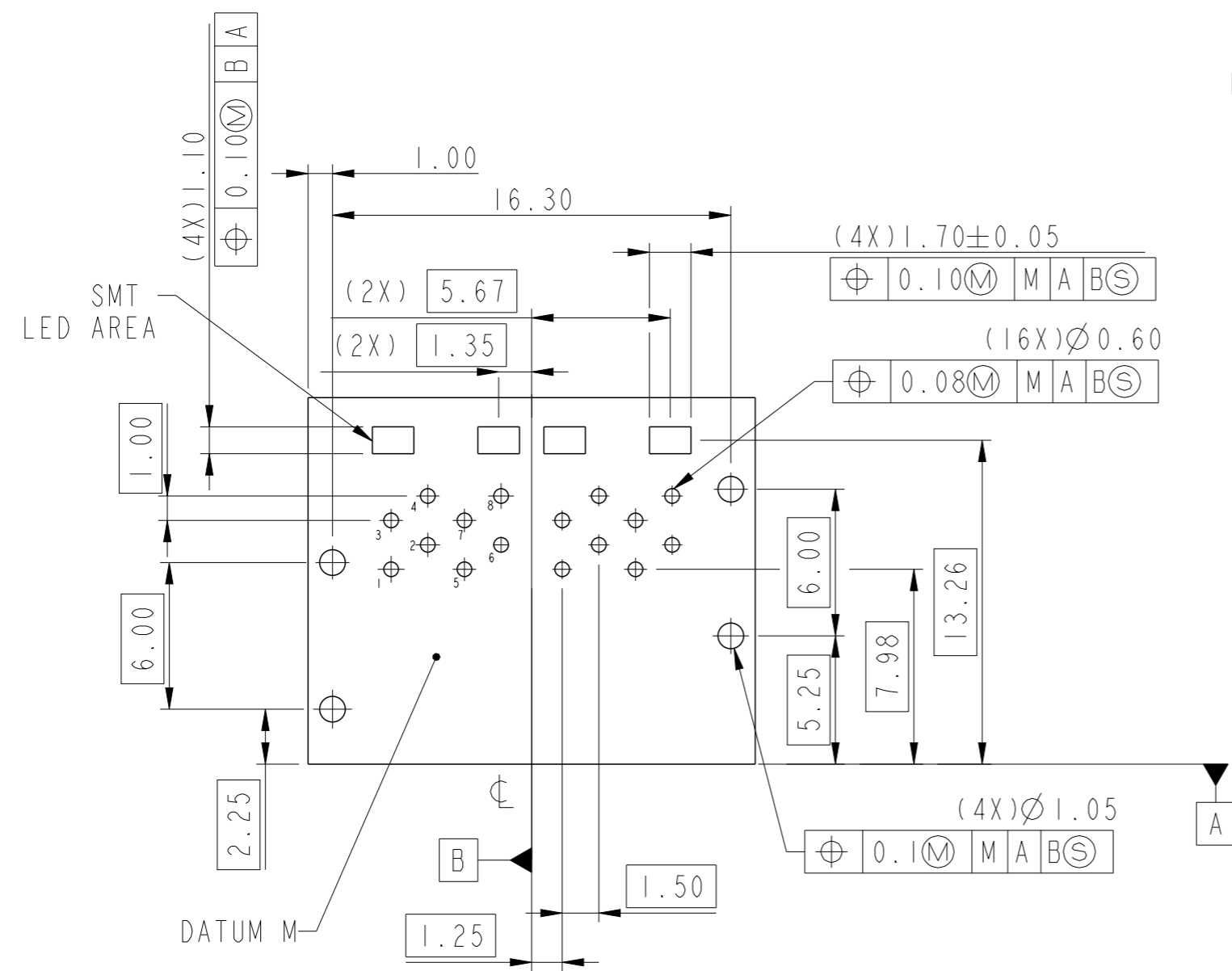
10133575-001LF



NOTES

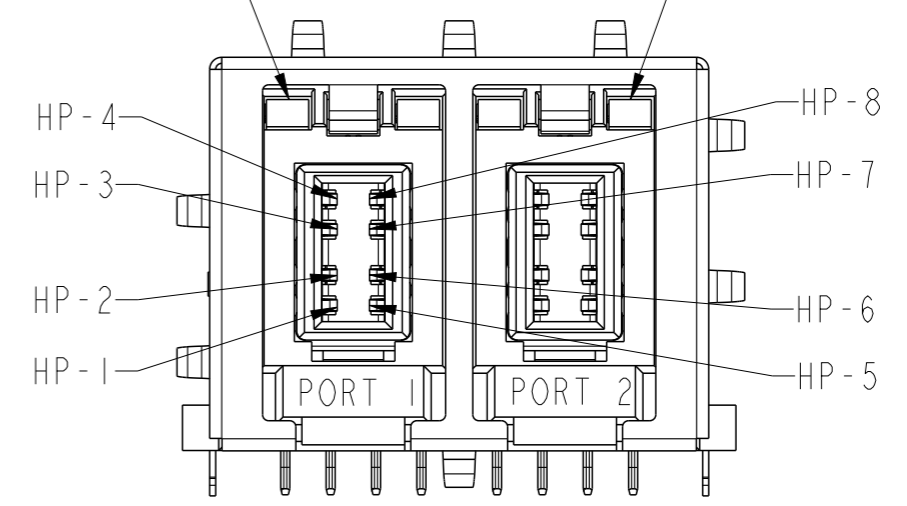
1. MATERIAL:
 HOUSING: BLACK THERMOPLASTIC RATED UL 94V-0
 SHIELD: COPPER ALLOY WITH NICKEL PLATING.
 CONTACTS: COPPER ALLOY
 CONTACT PLATING: 0.05µm MIN GOLD OVER
 0.76µm MIN PdNi, AT MATING INTERFACE CONTACT AREA
2. LIGHT PIPE MATERIAL: CLEAR POLYCARBONATE
3. RECOMMENDED MIN PCB THICKNESS 1.5MM

spec ref		dr	Dipu Joseph	2017/01/17	projection	mm	size	A3	scale	2:1
tolerance std		eng	P-Mathew Nebu	2017/01/17			ecn no		rel level	
ISO 406 ISO 1101		chr	-	-			-		Preliminary	
surface		appr	-	-	product family		-		-	
ISO 1302	linear	0.X	±0.3	Amphenol FCi	2x1 SLIMLINE MODJACK RECEPTACLE		dwg no 10133575		rev 1	
		0.XX	±0.1							
		0.XXX	±.05							
angular	0°	±2°	cat. no.	-	Product - Customer Drw		sheet 1 of 2			



RECOMMENDED PCB LAYOUT VIEWED FROM COMPONENT SIDE

LEFT LIGHT PIPE RIGHT LIGHT PIPE



TD0 +	HP-1	①	MX0 +
TD0 -	HP-2	②	MX0 -
TD1 +	HP-3	③	MX1 +
TD1 -	HP-4	④	MX1 -
TD2 +	HP-5	⑤	MX2 +
TD2 -	HP-6	⑥	MX2 -
TD3 +	HP-7	⑦	MX3 +
TD3 -	HP-8	⑧	MX3 -

spec ref	dr	Dipu Joseph	2017/01/17	projection	mm	size	A3	scale	2:1
tolerance std	eng	P-Mathew Nebu	2017/01/17			ecn no	-	rel level	Preliminary
ISO 406 ISO 1101	chr	-	-						
surface	linear	0.X	±0.3	Amphenol FCi	2x1 SLIMLINE MODJACK RECEPTACLE	dwg no 10133575	rev 1	Product - Customer Drw	
		0.XX	±0.1					cat. no.	-
0.XXX	±.05							sheet 2 of 2	
ISO 1302	angular	0°	±2°						