



Chipsmall Limited consists of a professional team with an average of over 10 year of expertise in the distribution of electronic components. Based in Hongkong, we have already established firm and mutual-benefit business relationships with customers from,Europe,America and south Asia,supplying obsolete and hard-to-find components to meet their specific needs.

With the principle of “Quality Parts,Customers Priority,Honest Operation,and Considerate Service”,our business mainly focus on the distribution of electronic components. Line cards we deal with include Microchip,ALPS,ROHM,Xilinx,Pulse,ON,Everlight and Freescale. Main products comprise IC,Modules,Potentiometer,IC Socket,Relay,Connector.Our parts cover such applications as commercial,industrial, and automotives areas.

We are looking forward to setting up business relationship with you and hope to provide you with the best service and solution. Let us make a better world for our industry!



Contact us

Tel: +86-755-8981 8866 Fax: +86-755-8427 6832

Email & Skype: info@chipsmall.com Web: www.chipsmall.com

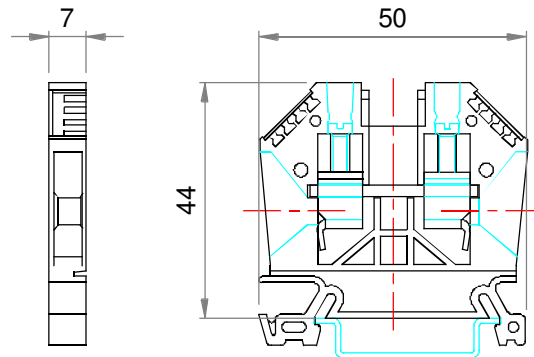
Address: A1208, Overseas Decoration Building, #122 Zhenhua RD., Futian, Shenzhen, China



Part number description :

10134253-XXXLF

-



Note : THIS PRODUCT MEETS EUROPEAN UNION DIRECTIVES AND OTHER COUNTRY REGULATIONS AS PER GS-47-0004

PN	Colour	Version
10134251-001LF	grey	
10134251-002LF	black	
10134251-003LF	blue	
10134251-004LF	brown	
10134251-005LF	yellow-green	
10134251-006LF	green	
10134251-007LF	yellow	
10134251-008LF	orange	
10134251-009LF	red	
10134251-010LF	white	

TECHNICAL DATA / DIMENSIONS

Dimensions	
Width mm	7.0
Length mm	50.0
Height mm	44.0
Mounting type (EN 60715)	Omega TH35
Technical data	
Maximum load current	50A
Insulating material	PA
Self-extinguishing degree acc. to UL94	V2
Rated surge voltage	8kV
Pollution degree	3
Surge voltage category	III
Insulating material group	I
Nominal Voltage	1000V
Nominal Current	41A
Connection data	
Conductor cross-section solid min/max	0.50 / 10 mm ²
Conductor cross-section stranded min/max	0.50 / 6 mm ²
AWG min/max	22-8AWG
Max conductor cross-section stranded with ferrule with plastic sleeve	6 mm ² / L=18 mm
Stripping length	max 12 mm
Screw	M3,5
Tightening torque	0,8Nm / 10 Lb-In

ACCESSORIES

Item	Description
Marking	
10134398-001LF	Blank single-digit marking tags
10134398-002LF+ 10134398-011LF	Printed single-digit marking tags numbered : 1÷0
10134398-012LF+ 10134398-041LF	Printed single-digit marking tags with letter: A÷Z
10134399-001LF	Marking tag adapter
10134400-001LF	Blank Marking tags
10134401-001LF	Blank Marking tags

DIN RAIL system - Mounting and Installation material

10134392-001LF	Steel Omega Rail TH35x7,5mm -2mt length
10134393-001LF	Slotted Steel Omega Rail TH35x7,5mm -2mt length
10134394-001LF	Steel Omega Rail TH35x15mm -2mt length
10134395-001LF	Slotted Steel Omega Rail TH35x15mm -2mt length
10134387-001LF	Angled support bracket
10134389-001LF	End Bracket for TH35 Omega rail -Width 9mm
10134390-001LF	End Bracket for TH35 Omega rail -Width 6mm
10134391-001LF	Fast-snap End Bracket for TH35 Omega rail

Additional items

10134260-001LF	End Plate for SCREW Terminal Blocks 6/10
10134264-001LF	Separator for SCREW Terminal Blocks 6/10
10134275-001LF	Insulated 2 poles screw-jumper -pitch 7,1mm -JP6
10134275-002LF	Insulated 3 poles screw-jumper -pitch 7,1mm -JP6
10134275-003LF	Insulated 24 poles screw-jumper -pitch 7,1mm -JP6
10134276-001LF	Red test plug adapter
10134276-002LF	Black test plug adapter

APPROVALS



AWG 22-8 – 600V – 50A



RINA

EN60947-7-1 6mm² – 1000V – 41A

spec ref	dr	Aymeric Soudy	11-06-2015	projection	size	A3	scale	1:1
tolerance std	eng	Aymeric Soudy	11-06-2015		mm	ecn no	rel level	rev
ISO 406 ISO 1101	chr							
surface ✓ ISO 1302	appr	Aymeric Soudy	11-06-2015	product family	DIN Terminal Block			
	linear	0.X	± 0.3	title	SCREW Terminal block 6			
		0.XX	± 0.1	cat. no.	-			
		0.XXX	± 0.05	Product customer drawing	10134253			
	angular	0°	± 2°	sheet 1 of 1				