



Chipsmall Limited consists of a professional team with an average of over 10 year of expertise in the distribution of electronic components. Based in Hongkong, we have already established firm and mutual-benefit business relationships with customers from,Europe,America and south Asia,supplying obsolete and hard-to-find components to meet their specific needs.

With the principle of “Quality Parts,Customers Priority,Honest Operation,and Considerate Service”,our business mainly focus on the distribution of electronic components. Line cards we deal with include Microchip,ALPS,ROHM,Xilinx,Pulse,ON,Everlight and Freescale. Main products comprise IC,Modules,Potentiometer,IC Socket,Relay,Connector.Our parts cover such applications as commercial,industrial, and automotives areas.

We are looking forward to setting up business relationship with you and hope to provide you with the best service and solution. Let us make a better world for our industry!



## Contact us

Tel: +86-755-8981 8866 Fax: +86-755-8427 6832

Email & Skype: info@chipsmall.com Web: www.chipsmall.com

Address: A1208, Overseas Decoration Building, #122 Zhenhua RD., Futian, Shenzhen, China

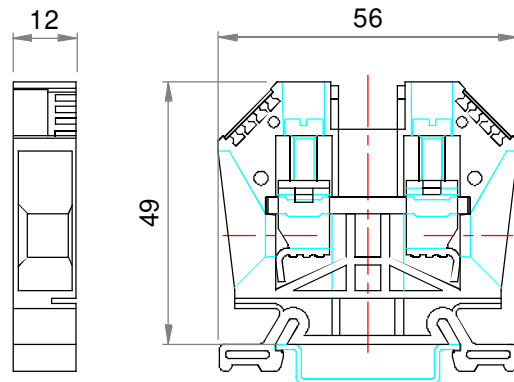


Part number description :

10134255-XXXLF

LF: Lead Free, RoHs compliant, see note

XXX : Color ref or/and version



Note : THIS PRODUCT MEETS EUROPEAN UNION DIRECTIVES AND OTHER COUNTRY REGULATIONS AS PER GS-47-0004

PN	Colour	Version
10134255-001LF	grey	
10134255-002LF	blue	
10134255-003LF	yellow-green	
10134255-004LF	yellow	

#### TECHNICAL DATA / DIMENSIONS

<b>Dimensions</b>	
Width mm	12.0
Length mm	56.0
Height mm	49.0
Mounting type (EN 60715)	Omega TH35
<b>Technical data</b>	
Maximum load current	101A
Insulating material	PA
Self-extinguishing degree acc. to UL94	V2
Rated surge voltage	8kV
Pollution degree	3
Surge voltage category	III
Insulating material group	I
Nominal Voltage	1000V
Nominal Current	101A
<b>Connection data</b>	
Conductor cross-section solid min/max	1.50 / 25 mm <sup>2</sup>
Conductor cross-section stranded min/max	1.50 / 16 mm <sup>2</sup>
AWG min/max	14-4AWG
Max conductor cross-section stranded with ferrule with plastic sleeve	25 mm <sup>2</sup> / L=18 mm
Stripping length	max 12 mm
Screw	M5
Tightening torque	2.0Nm / 30 Lb-In

#### ACCESSORIES

Item	Description
<b>Marking</b>	
10134398-001LF	Blank single-digit marking tags
10134398-002LF+	Printed single-digit marking tags numbered : 1÷0
10134398-011LF	
10134398-012LF+	Printed single-digit marking tags with letter: A÷ Z
10134398-041LF	
10134399-001LF	Marking tag adapter
10134400-001LF	Blank Marking tags
10134401-001LF	Blank Marking tags

#### DIN RAIL system - Mounting and Installation material

10134392-001LF	Steel Omega Rail TH35x7,5mm -2mt length
10134393-001LF	Slotted Steel Omega Rail TH35x7,5mm -2mt length
10134394-001LF	Steel Omega Rail TH35x15mm -2mt length
10134395-001LF	Slotted Steel Omega Rail TH35x15mm -2mt length
10134387-001LF	Angled support bracket
10134389-001LF	End Bracket for TH35 Omega rail -Width 9mm
10134390-001LF	End Bracket for TH35 Omega rail -Width 6mm
10134391-001FL	Fast-snap End Bracket for TH35 Omega rail

#### Additional items

10134261-001LF	End Plate for SCREW Terminal Block 16-25
10134269-001LF	Cover for SCREW Terminal Block 16-25
10134266-001LF	Screw Jumper bar for SCREW Terminal Block 16-25
10134266-002LF	Screw Jumper bar for SCREW Terminal Block 16-25

#### APPROVALS



AWG 14-4 - 600V - 85A



RINA

EN60947-7-1 25mm<sup>2</sup> - 1000V - 101A

surface ✓

spec ref	tolerance std	ISO 406	ISO 1101	TOLERANCES UNLESS OTHERWISE SPECIFIED	dir	Aymeric Soudy	11-06-2015	projection	MM	size	A3	scale	1:1	
					eng	Aymeric Soudy	11-06-2015			ecn no				
					chr					rel level				
					appr	Aymeric Soudy	11-06-2015	product family	DIN Terminal Block					
					linear	0.X	± 0.3	FCJ	title	SCREW Terminal block 16-25	dwg no	10134255	rev	A
						0.XX	± 0.1							
						0.XXX	± 0.05							
					angular	0°	± 2°	www.fcicon	cat. no.	-	Product customer drawing		sheet 1 of 1	