



Chipsmall Limited consists of a professional team with an average of over 10 year of expertise in the distribution of electronic components. Based in Hongkong, we have already established firm and mutual-benefit business relationships with customers from,Europe,America and south Asia,supplying obsolete and hard-to-find components to meet their specific needs.

With the principle of “Quality Parts,Customers Priority,Honest Operation,and Considerate Service”,our business mainly focus on the distribution of electronic components. Line cards we deal with include Microchip,ALPS,ROHM,Xilinx,Pulse,ON,Everlight and Freescale. Main products comprise IC,Modules,Potentiometer,IC Socket,Relay,Connector.Our parts cover such applications as commercial,industrial, and automotives areas.

We are looking forward to setting up business relationship with you and hope to provide you with the best service and solution. Let us make a better world for our industry!



## Contact us

Tel: +86-755-8981 8866 Fax: +86-755-8427 6832

Email & Skype: info@chipsmall.com Web: www.chipsmall.com

Address: A1208, Overseas Decoration Building, #122 Zhenhua RD., Futian, Shenzhen, China

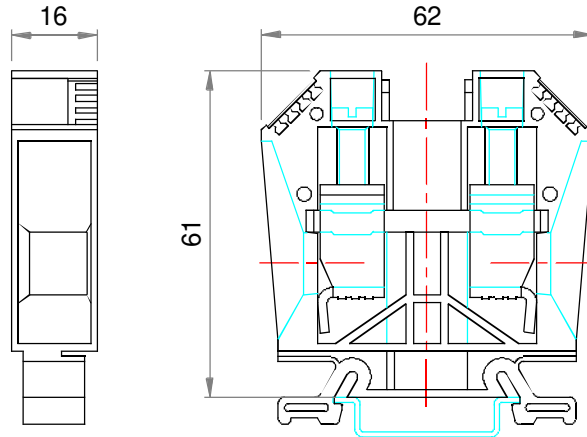


Part number description :

10134256-XXXLF

LF: Lead Free, RoHs compliant, see note

XXX : Color ref or/and version



Note : THIS PRODUCT MEETS EUROPEAN UNION DIRECTIVES AND OTHER COUNTRY REGULATIONS AS PER GS-47-0004

PN	Colour	Version
10134256-001LF	grey	
10134256-002LF	blue	
10134256-003LF	yellow-green	
10134256-004LF	yellow	
10134256-005LF	red	

TECHNICAL DATA / DIMENSIONS

Dimensions	
Width mm	16.0
Length mm	62.0
Height mm	61.0
Mounting type (EN 60715)	Omega TH35
Technical data	
Maximum load current	150A
Insulating material	PA
Self-extinguishing degree acc. to UL94	V2
Rated surge voltage	8kV
Pollution degree	3
Surge voltage category	III
Insulating material group	I
Nominal Voltage	1000V
Nominal Current	150A
Connection data	
Conductor cross-section solid min/max	2.50 / 50 mm <sup>2</sup>
Conductor cross-section stranded min/max	2.50 / 50 mm <sup>2</sup>
AWG min/max	14-1/0AWG
Max conductor cross-section stranded with ferrule with plastic sleeve	35 mm <sup>2</sup> / L=18 mm
Stripping length	max 17 mm
Screw	M6
Tightening torque	2.5Nm / 45 Lb-In

ACCESSORIES

Item	Description
<b>Marking</b>	
10134398-001LF	Blank single-digit marking tags
10134398-002LF+ 10134398-011LF	Printed single-digit marking tags numbered : 1÷0
10134398-012LF+ 10134398-041LF	Printed single-digit marking tags with letter: A÷Z
10134399-001LF	Marking tag adapter
10134400-001LF	Blank Marking tags
10134401-001LF	Blank Marking tags

DIN RAIL system - Mounting and Installation material

10134392-001LF	Steel Omega Rail TH35x7,5mm -2mt length
10134393-001LF	Slotted Steel Omega Rail TH35x7,5mm -2mt length
10134394-001LF	Steel Omega Rail TH35x15mm -2mt length
10134395-001LF	Slotted Steel Omega Rail TH35x15mm -2mt length
10134387-001LF	Angled support bracket
10134389-001LF	End Bracket for TH35 Omega rail -Width 9mm
10134390-001LF	End Bracket for TH35 Omega rail -Width 6mm
10134391-001LF	Fast-snap End Bracket for TH35 Omega rail

Additional items

10134262-001LF	End Plate for SCREW Terminal Block 35-50
10134270-001LF	Cover for SCREW Terminal Block 35-50
10134267-001LF	Screw Jumper bar for SCREW Terminal Block 35-50

APPROVALS



RINA

AWG 14-1/0 – 600V – 130A

EN60947-7-1 50mm<sup>2</sup> – 1000V – 150A



Copyright FCI

spec ref	tolerance std ISO 406 ISO 1101	TOLERANCES UNLESS OTHERWISE SPECIFIED	dr eng chr appr	Aymeric Soudy Aymeric Soudy  Aymeric Soudy	11-06-2015 11-06-2015  11-06-2015	projection 	size A3	scale 1:1
surface ISO 1302	linear angular	0.X ± 0.3 0.XX ± 0.1 0.XXX ± 0.05 0° ± 2°	www.fcicon	cat. no.	Product customer drawing	title SCREW Terminal block 35-50	dwg no 10134256	rel level
								rev A
								sheet 1 of 1