



Chipsmall Limited consists of a professional team with an average of over 10 year of expertise in the distribution of electronic components. Based in Hongkong, we have already established firm and mutual-benefit business relationships with customers from,Europe,America and south Asia,supplying obsolete and hard-to-find components to meet their specific needs.

With the principle of “Quality Parts,Customers Priority,Honest Operation,and Considerate Service”,our business mainly focus on the distribution of electronic components. Line cards we deal with include Microchip,ALPS,ROHM,Xilinx,Pulse,ON,Everlight and Freescale. Main products comprise IC,Modules,Potentiometer,IC Socket,Relay,Connector.Our parts cover such applications as commercial,industrial, and automotives areas.

We are looking forward to setting up business relationship with you and hope to provide you with the best service and solution. Let us make a better world for our industry!



Contact us

Tel: +86-755-8981 8866 Fax: +86-755-8427 6832

Email & Skype: info@chipsmall.com Web: www.chipsmall.com

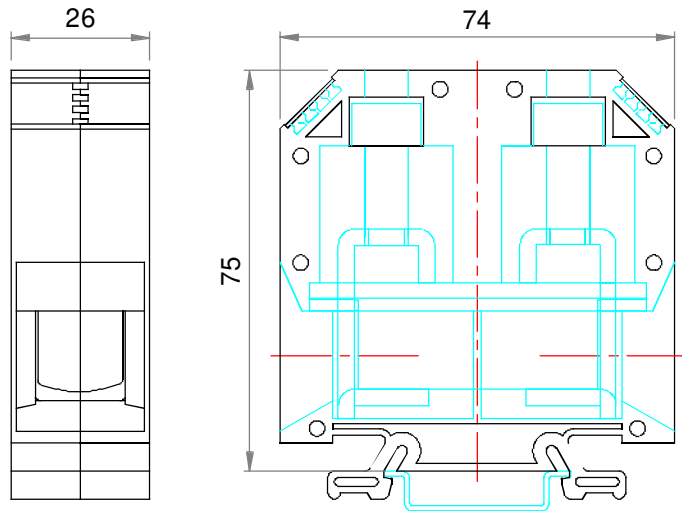
Address: A1208, Overseas Decoration Building, #122 Zhenhua RD., Futian, Shenzhen, China



Part number description :

10134257-XXXLF

- LF: Lead Free, RoHs compliant, see note
- XXX : Color ref or/and version



| PN | Colour | Version |
|----------------|--------------|---------|
| 10134257-001LF | grey | |
| 10134257-002LF | blue | |
| 10134257-003LF | yellow-green | |
| 10134257-004LF | yellow | |
| | | |
| | | |
| | | |
| | | |

TECHNICAL DATA / DIMENSIONS

| Dimensions | |
|---|------------------------|
| Width mm | 26.0 |
| Length mm | 74.0 |
| Height mm | 75.0 |
| Mounting type (EN 60715) | Omega TH35 |
| Technical data | |
| Maximum load current | 192A |
| Insulating material | PA |
| Self-extinguishing degree acc. to UL94 | V2 |
| Rated surge voltage | 6kV |
| Pollution degree | 3 |
| Surge voltage category | III |
| Insulating material group | I |
| Nominal Voltage | 800V |
| Nominal Current | 192A |
| Connection data | |
| Conductor cross-section solid min/max | 5 / 70 mm ² |
| Conductor cross-section stranded min/max | 5 / 70 mm ² |
| AWG min/max | 4-3/0AWG |
| Max conductor cross-section stranded with ferrule with plastic sleeve | - |
| Stripping length | max 20 mm |
| Screw – recessed Allen screw | M8 – Ch6 |
| Tightening torque | 4.5Nm / 40 Lb-In |

Note : THIS PRODUCT MEETS EUROPEAN UNION DIRECTIVES AND OTHER COUNTRY REGULATIONS AS PER GS-47-0004

APPROVALS



RINA

AWG 4-3/0 – 600V – 185A EN60947-7-1 70mm² – 800V – 192A

ACCESSORIES

| Item | Description |
|-----------------|--|
| Marking | |
| 10134398-001LF | Blank single-digit marking tags |
| 10134398-002LF+ | Printed single-digit marking tags numbered : 1÷0 |
| 10134398-011LF | Printed single-digit marking tags with letter: A÷Z |
| 10134398-012LF+ | Printed single-digit marking tags with letter: A÷Z |
| 10134398-041LF | Marking tag adapter |
| 10134399-001LF | Blank Marking tags |

DIN RAIL system - Mounting and Installation material

| | |
|----------------|---|
| 10134392-001LF | Steel Omega Rail TH35x7,5mm -2mt length |
| 10134393-001LF | Slotted Steel Omega Rail TH35x7,5mm -2mt length |
| 10134394-001LF | Steel Omega Rail TH35x15mm -2mt length |
| 10134395-001LF | Slotted Steel Omega Rail TH35x15mm -2mt length |
| 10134387-001LF | Angled support bracket |
| 10134389-001LF | End Bracket for TH35 Omega rail -Width 9mm |
| 10134390-001LF | End Bracket for TH35 Omega rail -Width 6mm |
| 10134391-001LF | Fast-snap End Bracket for TH35 Omega rail |

| | | | | |
|---|--------------------------------|--------------------------|---|-------------------|
| spec ref | dr Aymeric Souidy 11-06-2015 | projection | size A3 | scale 1:1 |
| tolerance std ISO 406 ISO 1101 | eng Aymeric Souidy 11-06-2015 | | | ecn no |
| TOLERANCES UNLESS OTHERWISE SPECIFIED surface ✓ ISO 1302 | chr | | | |
| | appr Aymeric Souidy 11-06-2015 | | title SCREW Terminal block 70 cat. no. | 10134257 rev A |
| www.fcj.com | | Product customer drawing | | sheet 1 of 1 |



Copyright FCJ