



Chipsmall Limited consists of a professional team with an average of over 10 year of expertise in the distribution of electronic components. Based in Hongkong, we have already established firm and mutual-benefit business relationships with customers from,Europe,America and south Asia,supplying obsolete and hard-to-find components to meet their specific needs.

With the principle of "Quality Parts,Customers Priority,Honest Operation,and Considerate Service",our business mainly focus on the distribution of electronic components. Line cards we deal with include Microchip,ALPS,ROHM,Xilinx,Pulse,ON,Everlight and Freescale. Main products comprise IC,Modules,Potentiometer,IC Socket,Relay,Connector.Our parts cover such applications as commercial,industrial, and automotives areas.

We are looking forward to setting up business relationship with you and hope to provide you with the best service and solution. Let us make a better world for our industry!



Contact us

Tel: +86-755-8981 8866 Fax: +86-755-8427 6832

Email & Skype: info@chipsmall.com Web: www.chipsmall.com

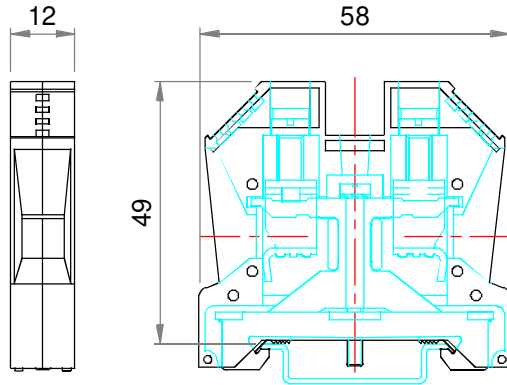
Address: A1208, Overseas Decoration Building, #122 Zhenhua RD., Futian, Shenzhen, China



Part number description :

10134283-XXXLF

- ▶ LF: Lead Free, RoHs compliant, see note
- ▶ XXX : Color ref or/and version



Note : THIS PRODUCT MEETS EUROPEAN UNION DIRECTIVES AND OTHER COUNTRY REGULATIONS AS PER GS-47-0004

PN	Colour	Version
10134283-001LF	yellow-green	

TECHNICAL DATA / DIMENSIONS

Dimensions	
Width mm	12.0
Length mm	58.0
Height mm	49.0
Mounting type (EN 60715)	Omega TH35
Technical data	
Insulating material	PA
Self-extinguishing degree acc. to UL94	V2
Rated surge voltage	6kV
Pollution degree	3
Surge voltage category	III
Insulating material group	I
Connection data	
Conductor cross-section solid min/max	5 / 25 mm ²
Conductor cross-section stranded min/max	1.5 / 16 mm ²
AWG min/max	14-4 AW
Max conductor cross-section stranded with ferrule with plastic sleeve	16 mm ² / L=12 mm
Stripping length	max 14 mm
Screw	M5
Tightening torque	2Nm / 30 Lb-In
Fixing Screw	M3,5
Tightening torque	0,8Nm / 10 Lb-In

ACCESSORIES

Item	Description
<i>Marking</i>	
10134398-001LF	Blank single-digit marking tags
10134398-002LF+ 10134398-011LF	Printed single-digit marking tags numbered : 1÷0
10134398-012LF+ 10134398-041LF	Printed single-digit marking tags with letter: A÷ Z
10134399-001LF	Marking tag adapter
10134401-001LF	Blank Marking tags

DIN RAIL system - Mounting and Installation material

10134392-001LF	Steel Omega Rail TH35x7,5mm -2mt length
10134393-001LF	Slotted Steel Omega Rail TH35x7,5mm -2mt length
10134394-001LF	Steel Omega Rail TH35x15mm -2mt length
10134395-001LF	Slotted Steel Omega Rail TH35x15mm -2mt length
10134387-001LF	Angled support bracket
10134389-001LF	End Bracket for TH35 Omega rail -Width 9mm
10134390-001LF	End Bracket for TH35 Omega rail -Width 6mm
10134391-001LF	Fast-snap End Bracket for TH35 Omega rail

APPROVALS



AWG 14-4

RINA

EN60947-7-2 25mm²



Copyright FCI.

spec ref	dr Aymeric Soudy 11-06-2015	projection	size A3	scale 1:1
tolerance std ISO 406 ISO 1101	eng Aymeric Soudy 11-06-2015			ecn no
TOLERANCES UNLESS OTHERWISE SPECIFIED				
surface ✓ ISO 1302	chr Aymeric Soudy 11-06-2015	appr Aymeric Soudy 11-06-2015	product family DIN Terminal Block	rev A
linear 0.X ± 0.3 0.XX ± 0.1 0.XXX ± 0.05	angular 0° ± 2°	www.fcicon	cat. no.	title Earth SCREW Terminal block E25
10134283			Product customer drawing	sheet 1 of 1