



Chipsmall Limited consists of a professional team with an average of over 10 year of expertise in the distribution of electronic components. Based in Hongkong, we have already established firm and mutual-benefit business relationships with customers from,Europe,America and south Asia,supplying obsolete and hard-to-find components to meet their specific needs.

With the principle of “Quality Parts,Customers Priority,Honest Operation,and Considerate Service”,our business mainly focus on the distribution of electronic components. Line cards we deal with include Microchip,ALPS,ROHM,Xilinx,Pulse,ON,Everlight and Freescale. Main products comprise IC,Modules,Potentiometer,IC Socket,Relay,Connector.Our parts cover such applications as commercial,industrial, and automotives areas.

We are looking forward to setting up business relationship with you and hope to provide you with the best service and solution. Let us make a better world for our industry!



## Contact us

Tel: +86-755-8981 8866 Fax: +86-755-8427 6832

Email & Skype: info@chipsmall.com Web: www.chipsmall.com

Address: A1208, Overseas Decoration Building, #122 Zhenhua RD., Futian, Shenzhen, China

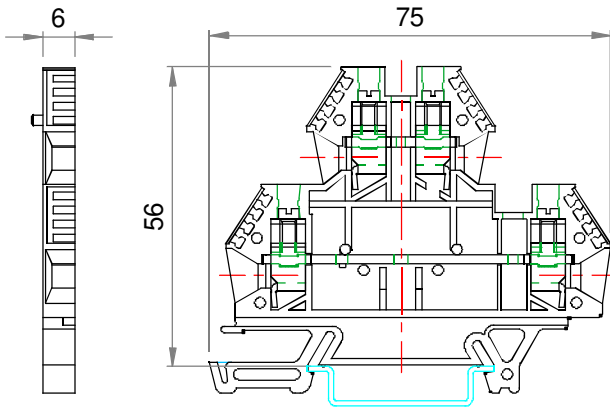


Part number description :

10134289-XXXLF

LF: Lead Free, RoHs compliant, see note

XXX : Color ref or/and version



Note : THIS PRODUCT MEETS EUROPEAN UNION DIRECTIVES AND OTHER COUNTRY REGULATIONS AS PER GS-47-0004

PN	Colour	Version
10134289-001LF	grey	(A) Unipolar
10134289-002LF	black	(A) Unipolar
10134289-003LF	blue	(A) Unipolar
10134289-004LF	yellow-green	(A) Unipolar
10134289-005LF	yellow	(A) Unipolar
10134289-006LF	red	(A) Unipolar
10134289-007LF	grey	(B) LED 12-24V
10134289-008LF	grey	(C) LED 110V
10134289-009LF	grey	(D) Diode
10134289-010LF	grey	(E) Diode
10134289-011LF	grey	(F) Diode
10134289-012LF	grey	(G) Diode
10134289-013LF	grey	(H) Diode
10134289-014LF	grey	(I) Diode
10134289-015LF	grey	(J) Diode
10134289-016LF	grey	(K) Arranged

TECHNICAL DATA / DIMENSIONS

Dimensions	
Width mm	6.0
Length mm	75.0
Height mm	56.0
Mounting type (EN 60715)	Omega TH35
Technical data	
Maximum load current	32A
Insulating material	PA
Self-extinguishing degree acc. to UL94	V2
Rated surge voltage	8kV
Pollution degree	3
Surge voltage category	III
Insulating material group	I
Nominal Voltage	1000V
Nominal Current	32A
Connection data	
Conductor cross-section solid min/max	0.50 / 6 mm <sup>2</sup>
Conductor cross-section stranded min/max	0.50 / 6 mm <sup>2</sup>
AWG min/max	24-10AWG
Max conductor cross-section stranded with ferrule with plastic sleeve	4 mm <sup>2</sup> / L=8 mm
Stripping length	max 6 mm
Screw	M3
Tightening torque	0,6Nm / 7.0 Lb-In

ACCESSORIES

Item	Description
<b>Marking</b>	
10134398-001LF	Blank single-digit marking tags
10134398-002LF+ 10134398-01 LF	Printed single-digit marking tags numbered : 1÷0
10134398-012LF + 10134398-041LF	Printed single-digit marking tags with letter: A÷Z
10134399-001LF	Marking tag adapter
10134400-001LF	Blank Marking tags
10134401-001LF	Blank Marking tags

DIN RAIL system - Mounting and Installation material

10134392-001LF	Steel Omega Rail TH35x7,5mm -2mt length
10134393-001LF	Slotted Steel Omega Rail TH35x7,5mm -2mt length
10134394-001LF	Steel Omega Rail TH35x15mm -2mt length
10134395-001LF	Slotted Steel Omega Rail TH35x15mm -2mt length
10134387-001LF	Angled support bracket
10134389-001LF	End Bracket for TH35 Omega rail -Width 9mm
10134390-001LF	End Bracket for TH35 Omega rail -Width 6mm
10134391-001LF	Fast-snap End Bracket for TH35 Omega rail

Additional items

10134292-001LF	End Plate for SCREW Terminal Blocks D4
10134272-001LF	Jumper bar 2 poles,pitch 6,1mm J4
10134272-002LF	Jumper bar 3 poles,pitch 6,1mm J4
10134272-003LF	Jumper bar 24 poles,pitch 6,1mm J4
10134271-002LF	Ratchet Cutting Tool for jumper bar J4 -yellow
10134276-001LF	Red test plug adapter
10134276-002LF	Black test plug adapter

APPROVALS

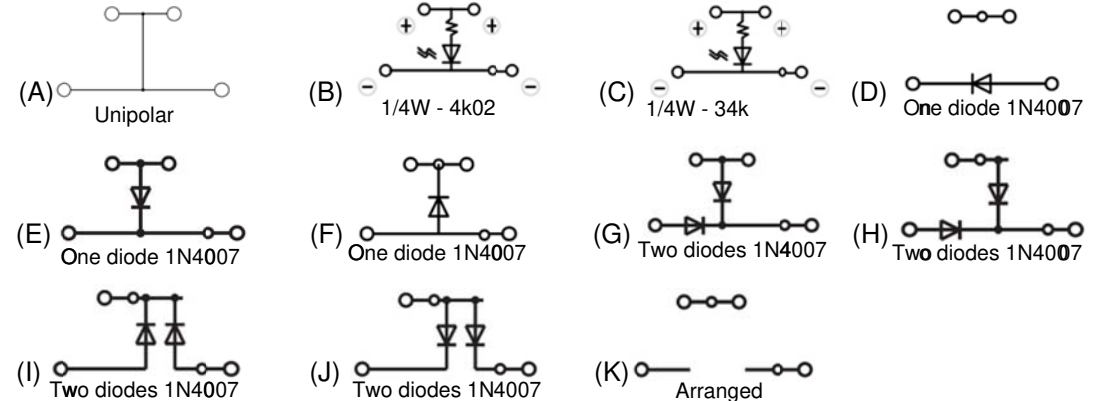


AWG 24-10 - 600V - 30A



RINA

EN60947-7-1 4mm<sup>2</sup> - 1000V - 32A



spec ref	dr Aymeric Soudy	23-06-2015	projection	size A3	scale 1:1
tolerance std ISO 406 ISO 1101	eng Aymeric Soudy	23-06-2015		MM	ecn no
TOLERANCES UNLESS OTHERWISE SPECIFIED		chr			
surface ISO 1302	appr Aymeric Soudy	23-06-2015	10134289		rev A
linear 0.X ± 0.3 0.XX ± 0.1 0.XXX ± 0.05	angular 0° ± 2°	www.fcicon.com	title Two stage SCREW Terminal Block D4-2 with components		cat. no.
Product customer drawing			sheet 1 of 1		