



Chipsmall Limited consists of a professional team with an average of over 10 year of expertise in the distribution of electronic components. Based in Hongkong, we have already established firm and mutual-benefit business relationships with customers from,Europe,America and south Asia,supplying obsolete and hard-to-find components to meet their specific needs.

With the principle of "Quality Parts,Customers Priority,Honest Operation,and Considerate Service",our business mainly focus on the distribution of electronic components. Line cards we deal with include Microchip,ALPS,ROHM,Xilinx,Pulse,ON,Everlight and Freescale. Main products comprise IC,Modules,Potentiometer,IC Socket,Relay,Connector.Our parts cover such applications as commercial,industrial, and automotives areas.

We are looking forward to setting up business relationship with you and hope to provide you with the best service and solution. Let us make a better world for our industry!



Contact us

Tel: +86-755-8981 8866 Fax: +86-755-8427 6832

Email & Skype: info@chipsmall.com Web: www.chipsmall.com

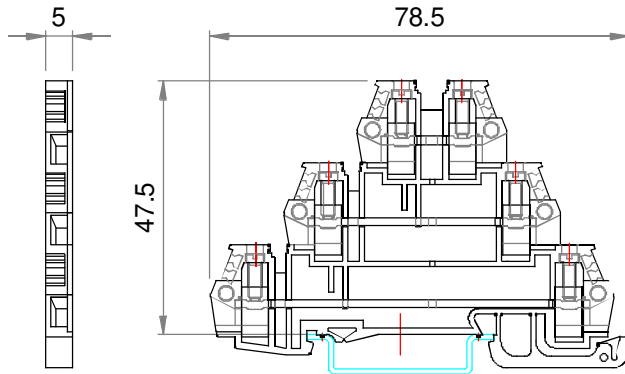
Address: A1208, Overseas Decoration Building, #122 Zhenhua RD., Futian, Shenzhen, China



Part number description :

10134294-XXXLF

- ▶ LF: Lead Free, RoHs compliant, see note
- ▶ XXX : Color ref or/and version



Note : THIS PRODUCT MEETS EUROPEAN UNION DIRECTIVES AND OTHER COUNTRY REGULATIONS AS PER GS-47-0004

PN	Colour	Version
10134294-001LF	grey	
10134294-002LF	grey	Unipolar

TECHNICAL DATA / DIMENSIONS

Dimensions	
Width mm	5.0
Length mm	78.5
Height mm	47.5
Mounting type (EN 60715)	Omega TH35
Technical data	
Maximum load current	24A
Insulating material	PA
Self-extinguishing degree acc. to UL94	V0
Rated surge voltage	6kV
Pollution degree	3
Surge voltage category	III
Insulating material group	I
Nominal Voltage	250V
Nominal Current	24A
Connection data	
Conductor cross-section solid min/max	0.50 / 2.5 mm ²
Conductor cross-section stranded min/max	0.50 / 2.5 mm ²
AWG min/max	26-14AWG
Max conductor cross-section stranded with ferrule with plastic sleeve	2.5 mm ² / L=8 mm
Stripping length	max 6 mm
Screw	M2.5
Tightening torque	0,5Nm / 4.5 Lb-In

ACCESSORIES

Item	Description
Marking	
10134398-001LF	Blank single-digit marking tags
10134398-002LF+ 10134398-011LF	Printed single-digit marking tags numbered : 1÷0
10134398-012LF+ 10134398-041LF	Printed single-digit marking tags with letter: A÷ Z
10134402-001LF	Blank Marking tags

DIN RAIL system - Mounting and Installation material

10134392-001LF	Steel Omega Rail TH35x7,5mm -2mt length
10134393-001LF	Slotted Steel Omega Rail TH35x7,5mm -2mt length
10134394-001LF	Steel Omega Rail TH35x15mm -2mt length
10134395-001LF	Slotted Steel Omega Rail TH35x15mm -2mt length
10134387-001LF	Angled support bracket
10134389-001LF	End Bracket for TH35 Omega rail -Width 9mm
10134390-001LF	End Bracket for TH35 Omega rail -Width 6mm
10134391-001LF	Fast-snap End Bracket for TH35 Omega rail

Additional items

10134297-001LF	End Plate for three-stage SCREW Terminal Block W2.5
10134414-001LF	Jumper bar 2 poles,pitch 5,1mm - JW2,5 - blue
10134414-002LF	Jumper bar 3 poles,pitch 5,1mm - JW2,5 - blue
10134414-003LF	Jumper bar 12 poles,pitch 5,1mm - JW2,5 - blue
10134414-004LF	Jumper bar 2 poles,pitch 5,1mm - JW2,5 - red
10134414-005LF	Jumper bar 3 poles,pitch 5,1mm - JW2,5 - red
10134414-006LF	Jumper bar 12 poles,pitch 5,1mm - JW2,5 - red
10134271-005FL	Ratchet Cutting Tool for jumper bar JW2.5-blue/red

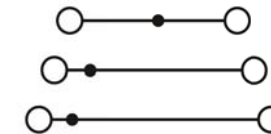
APPROVALS



AWG 26-12 - 300V - 10A



EN60947-7-1 2.5mm² - 250V - 24A



spec ref	dr Aymeric Soudy	19-06-2015	projection	size A3	scale 1:1
tolerance std ISO 406 ISO 1101	eng Aymeric Soudy	19-06-2015			ecn no
TOLERANCES UNLESS OTHERWISE SPECIFIED		chr			
surface ISO 1302	appr Aymeric Soudy	19-06-2015			title Three stage SCREW Terminal blok W2.5 10134294 rev A
linear 0.X ± 0.3 0.XX ± 0.1 0.XXX ± 0.05	angular 0° ± 2°	www.fcj.com	cat. no.	Product customer drawing	