



Chipsmall Limited consists of a professional team with an average of over 10 year of expertise in the distribution of electronic components. Based in Hongkong, we have already established firm and mutual-benefit business relationships with customers from,Europe,America and south Asia,supplying obsolete and hard-to-find components to meet their specific needs.

With the principle of “Quality Parts,Customers Priority,Honest Operation,and Considerate Service”,our business mainly focus on the distribution of electronic components. Line cards we deal with include Microchip,ALPS,ROHM,Xilinx,Pulse,ON,Everlight and Freescale. Main products comprise IC,Modules,Potentiometer,IC Socket,Relay,Connector.Our parts cover such applications as commercial,industrial, and automotives areas.

We are looking forward to setting up business relationship with you and hope to provide you with the best service and solution. Let us make a better world for our industry!



Contact us

Tel: +86-755-8981 8866 Fax: +86-755-8427 6832

Email & Skype: info@chipsmall.com Web: www.chipsmall.com

Address: A1208, Overseas Decoration Building, #122 Zhenhua RD., Futian, Shenzhen, China



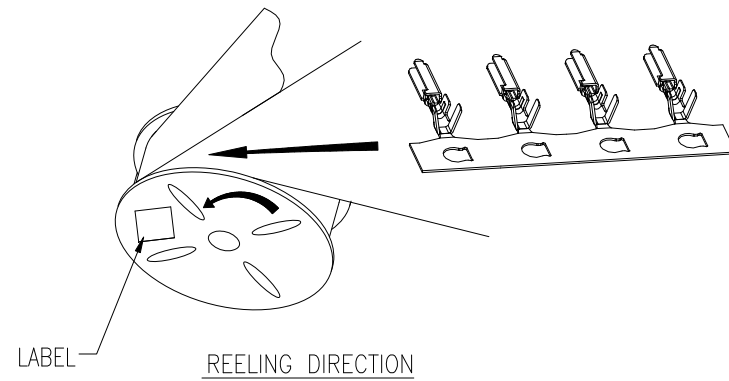
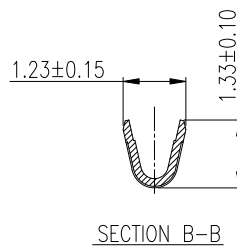
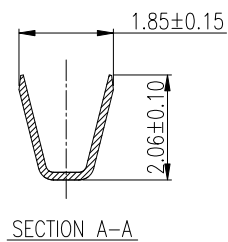
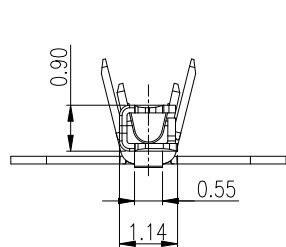
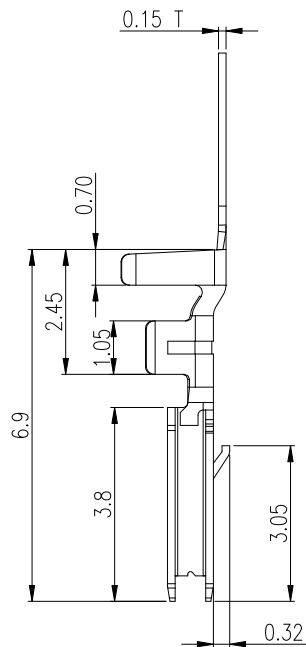
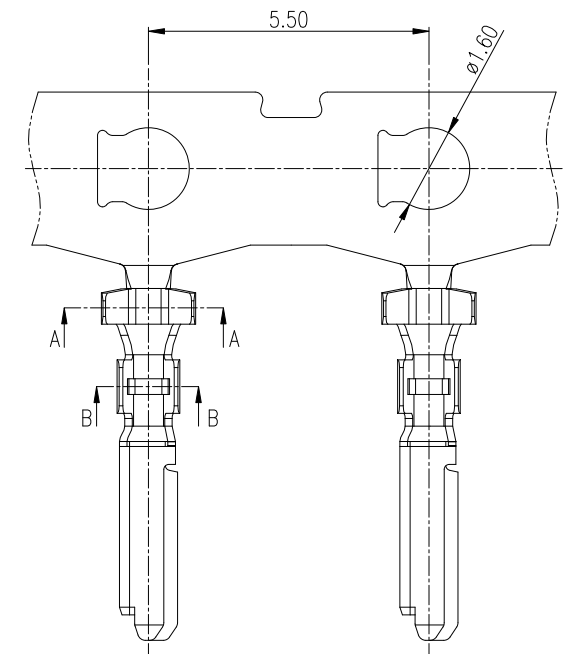
PRODUCT NUMBER
10135176-00XLF

NOTE:

1. MATERIAL: COPPER ALLOY
2. PLATING: Ni UNDERPLATED, SEE P/N FOR DETAIL PLATING ON CONTACT AREA AND CRIMPING AREA
3. APPLICABLE WIRES: AWG#28 TO AWG#24, WITH INSULATION O.D.: 0.78mm TO 1.28mm
5. RoHS COMPLIANT
6. PART NUMBER SCHEME:
10135176- 00 X LF

PLATING
1: TIN OVERALL

7. THE TERMINAL IS USED WITH FCI HSG 10135175, AND MATE WITH FCI RECEPTACLE CONNECTOR 10135177.
8. PRODUCT SPECIFICATION: GS-12-1321
9. PACKAGE SPECIFICATION: GS-14-2471



mat'l. code		surface		tolerance	projection	product family	
ltr		ecn no	dr	date	tolerances unless otherwise specified		MINITEK 1.5mm WTB
A			TAI	2015-06-16	linear	X.X±0.3	title
					linear	X.XX±0.20	MINITEK 1.5mm WIRE CONNECTOR, PLUG CRIMP TERMINAL
					±2'	X.XXX±0.100	scale
					dr	KENNY TAI	2015-05-08
					enr	KENNY TAI	2015-05-08
					chr	KENNY TAI	2015-06-10
					appd	PM ZHENG	2015-06-16
sheet index	revision sheet	A	1				
						sheet 1 of 1 size	
						10135176 A4	
						type CUSTOMER Drawing	