



Chipsmall Limited consists of a professional team with an average of over 10 year of expertise in the distribution of electronic components. Based in Hongkong, we have already established firm and mutual-benefit business relationships with customers from,Europe,America and south Asia,supplying obsolete and hard-to-find components to meet their specific needs.

With the principle of "Quality Parts,Customers Priority,Honest Operation,and Considerate Service",our business mainly focus on the distribution of electronic components. Line cards we deal with include Microchip,ALPS,ROHM,Xilinx,Pulse,ON,Everlight and Freescale. Main products comprise IC,Modules,Potentiometer,IC Socket,Relay,Connector.Our parts cover such applications as commercial,industrial, and automotives areas.

We are looking forward to setting up business relationship with you and hope to provide you with the best service and solution. Let us make a better world for our industry!



## Contact us

Tel: +86-755-8981 8866 Fax: +86-755-8427 6832

Email & Skype: info@chipsmall.com Web: www.chipsmall.com

Address: A1208, Overseas Decoration Building, #122 Zhenhua RD., Futian, Shenzhen, China



PRODUCT NUMBER  
10135177-XXXXXLF

- NOTE:
- MATERIAL SPECIFICATION:
    - INSULATION: HIGH TEMP. THERMOPLASTIC, UL 94V-0.
    - CONTACT: COPPER ALLOY
    - NAIL: COPPER ALLOY
  - FINISH SPECIFICATION:
    - CONTACT: Ni UNDERPLATE. SEE P/N FOR PLATING ON CONTACT AREA AND TAILS.
    - NAIL: TIN PLATE OVER Ni UNDERPLATE.
  - RoHS & HF COMPLIANCE
  - PART NO SCHEME:  
10135177- XX X X X L F

No. OF POS.: 02~15

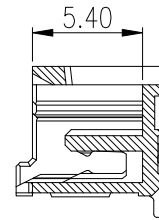
HSG COLOR: 1: NATURAL

PLATING: 1: TIN

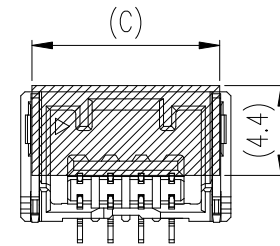
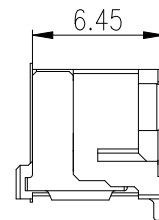
PACKAGE: 1: TAPE AND REEL

- THE CONNECTOR MATES WITH FCI WIRE CONNECTOR, HSG 10135175 AND CRIMPED TERMINAL 10135176
- THE HOUSING WILL WITHSTAND EXPOSURE TO 260°C PEAK TEMPERATURE 10 SEC. IN A CONVECTION REFLOW OVEN.
- PRODUCT SPECIFICATION: GS-12-1321
- PACKAGE SPECIFICATION: GS-14-2471
- DIMENSIONAL TABLE:

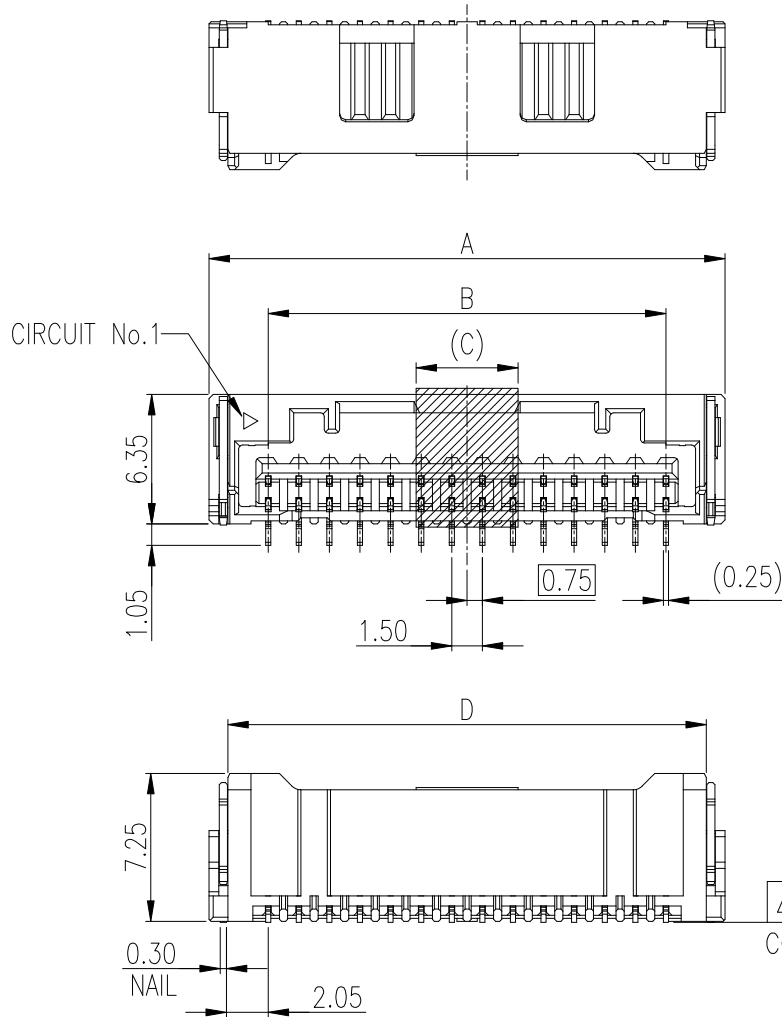
Pos.	A	B	C	D
02	7.30	—	6.10	5.5
03	8.80	3.00	7.60	7.0
04	10.30	4.50	9.10	8.5
05	11.80	6.00	10.60	10.0
06	13.30	7.50	12.10	11.5
07	14.80	9.00	5.00	13.0
08	16.30	10.50	5.00	14.5
09	17.80	12.00	5.00	16.0
10	19.30	13.50	5.00	17.5
11	20.80	15.00	5.00	19.0
12	22.30	16.50	5.00	20.5
13	23.80	18.00	5.00	22.0
14	25.30	19.50	5.00	23.5
15	26.80	21.00	5.00	25.0



SECTION A-A



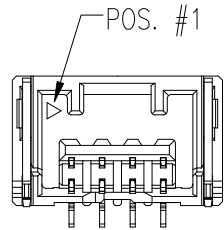
MYLAR FIGURE OF 2P~6P CIRCUIT



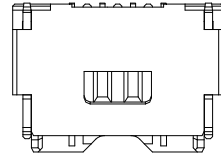
0.10  
CONTACT & NAIL

mat'l. code		surface		tolerance		projection		product family	
ltr		ecn no		dr		date		MINITEK 1.5mm WTB	
A		TAI		2015-06-16		angles		title	
						linear		MINITEK 1.5mm, RECEPTACLE	
						±2'		CONNECTOR, VERTICAL MOUNT, SMT	
						dr		scale	
						KENNY TAI		2015-05-08	
						enr		KENNY TAI	
						2015-05-08		sheet 1 of 2	
						chr		KENNY TAI	
						2015-06-10		10135177	
						appd		PM ZHENG	
						2015-06-16		type	
								CUSTOMER Drawing	
sheet index		revision sheet		A		A		size	
				1		2		A4	

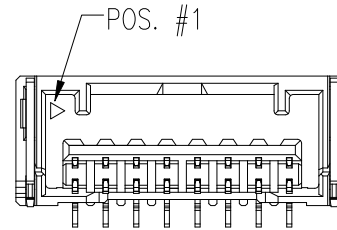
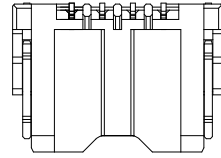
PRODUCT NUMBER  
10135177-XXXXXLF



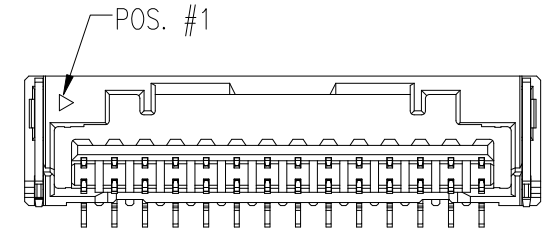
CASE OF 2~5 POSITIONS



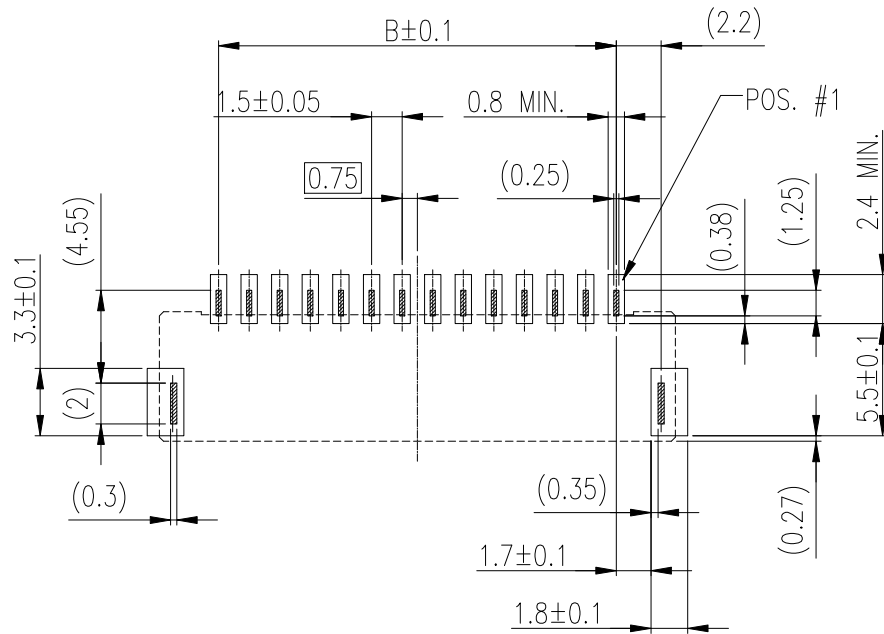
CASE OF 2~5 POSITIONS



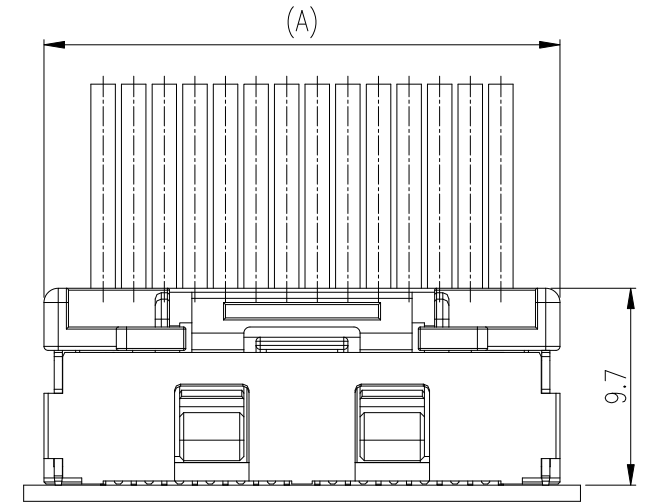
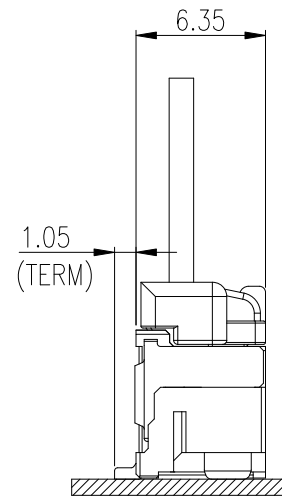
CASE OF 6~11 POSITIONS



CASE OF 12~15 POSITIONS



RECOMMENDED P.C.B BOARD LAYOUT  
GENERAL TOLERANCE ±0.05



MATED CONNECTORS

mat'l. code		surface	tolerance	projection	product family
ltr		tolerances unless otherwise specified		mm	MINITEK 1.5mm WTB
ecn	no	dr	date		title
				linear	MINITEK 1.5mm, RECEPTACLE
				±2'	CONNECTOR, VERTICAL MOUNT, SMT
				scale	dwg no
		dr	KENNY TAI	2015-05-08	sheet 2 of 2
		enr	KENNY TAI	2015-05-08	size
		chr	KENNY TAI	2015-06-10	10135177
		appd	PM ZHENG	2015-06-16	A4
					type
					CUSTOMER Drawing
sheet index	revision sheet	A	A		
		1	2		