



Chipsmall Limited consists of a professional team with an average of over 10 year of expertise in the distribution of electronic components. Based in Hongkong, we have already established firm and mutual-benefit business relationships with customers from,Europe,America and south Asia,supplying obsolete and hard-to-find components to meet their specific needs.

With the principle of “Quality Parts,Customers Priority,Honest Operation,and Considerate Service”,our business mainly focus on the distribution of electronic components. Line cards we deal with include Microchip,ALPS,ROHM,Xilinx,Pulse,ON,Everlight and Freescale. Main products comprise IC,Modules,Potentiometer,IC Socket,Relay,Connector.Our parts cover such applications as commercial,industrial, and automotives areas.

We are looking forward to setting up business relationship with you and hope to provide you with the best service and solution. Let us make a better world for our industry!



## Contact us

Tel: +86-755-8981 8866 Fax: +86-755-8427 6832

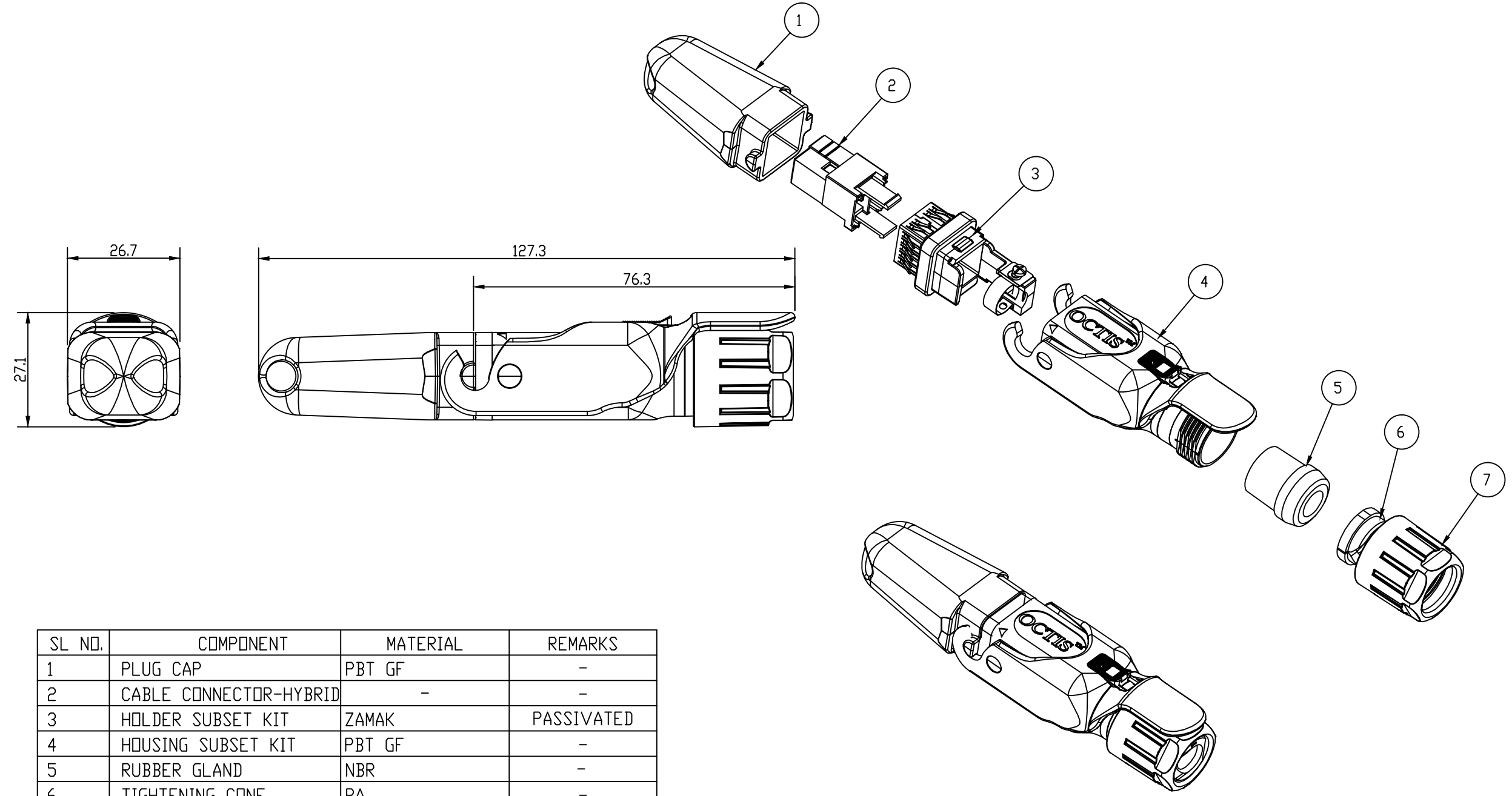
Email & Skype: info@chipsmall.com Web: www.chipsmall.com

Address: A1208, Overseas Decoration Building, #122 Zhenhua RD., Futian, Shenzhen, China



PLUG KIT PART NUMBER  
10135748-101LF

OCTIS PLUG KIT, HYBRID, FIELD TERMINABLE, PITCH 26 MM



SL NO.	COMPONENT	MATERIAL	REMARKS
1	PLUG CAP	PBT GF	-
2	CABLE CONNECTOR-HYBRID	-	-
3	HOLDER SUBSET KIT	ZAMAK	PASSIVATED
4	HOUSING SUBSET KIT	PBT GF	-
5	RUBBER GLAND	NBR	-
6	TIGHTENING CONE	PA	-
7	GLAND NUT	PBT GF	COLOUR PURPLE

mat'l. code		surface 58		tolerance		projection		product family	
		ISO 1302		ISO 406 ISO 1101				OCTIS	
ltr		ecn no		date		tolerances unless otherwise specified		title	
A		-		SAL 2015-09-18		angles linear 0.X ±0.3 0.XX ±0.10 0.XXX ±0.050		OCTIS PLUG KIT, HYBRID FIELD TERMINABLE, PITCH 26 MM	
B		ELX-I-22293		SAL 2015-10-26		0° ±2°			
C		ELX-I-23480		SAL 2016-03-05				scale 1:1	
D		ELX-I-24026		SAL 2016-05-04		dr S.ALOSIUS 2015-09-18		dwg no sheet 1 of 1 size 5 10135748 A3	
						enr S.ALOSIUS 2015-09-18			
						chr S.ALOSIUS 2016-05-04		type Product Customer Drawing	
						appd BIJU K PAUL 2016-05-04			
sheet index		revision sheet		D 1					

Amphenol  
FCI

© 2016 AFCI