



Chipsmall Limited consists of a professional team with an average of over 10 year of expertise in the distribution of electronic components. Based in Hongkong, we have already established firm and mutual-benefit business relationships with customers from,Europe,America and south Asia,supplying obsolete and hard-to-find components to meet their specific needs.

With the principle of “Quality Parts,Customers Priority,Honest Operation,and Considerate Service”,our business mainly focus on the distribution of electronic components. Line cards we deal with include Microchip,ALPS,ROHM,Xilinx,Pulse,ON,Everlight and Freescale. Main products comprise IC,Modules,Potentiometer,IC Socket,Relay,Connector.Our parts cover such applications as commercial,industrial, and automotives areas.

We are looking forward to setting up business relationship with you and hope to provide you with the best service and solution. Let us make a better world for our industry!



## Contact us

Tel: +86-755-8981 8866 Fax: +86-755-8427 6832

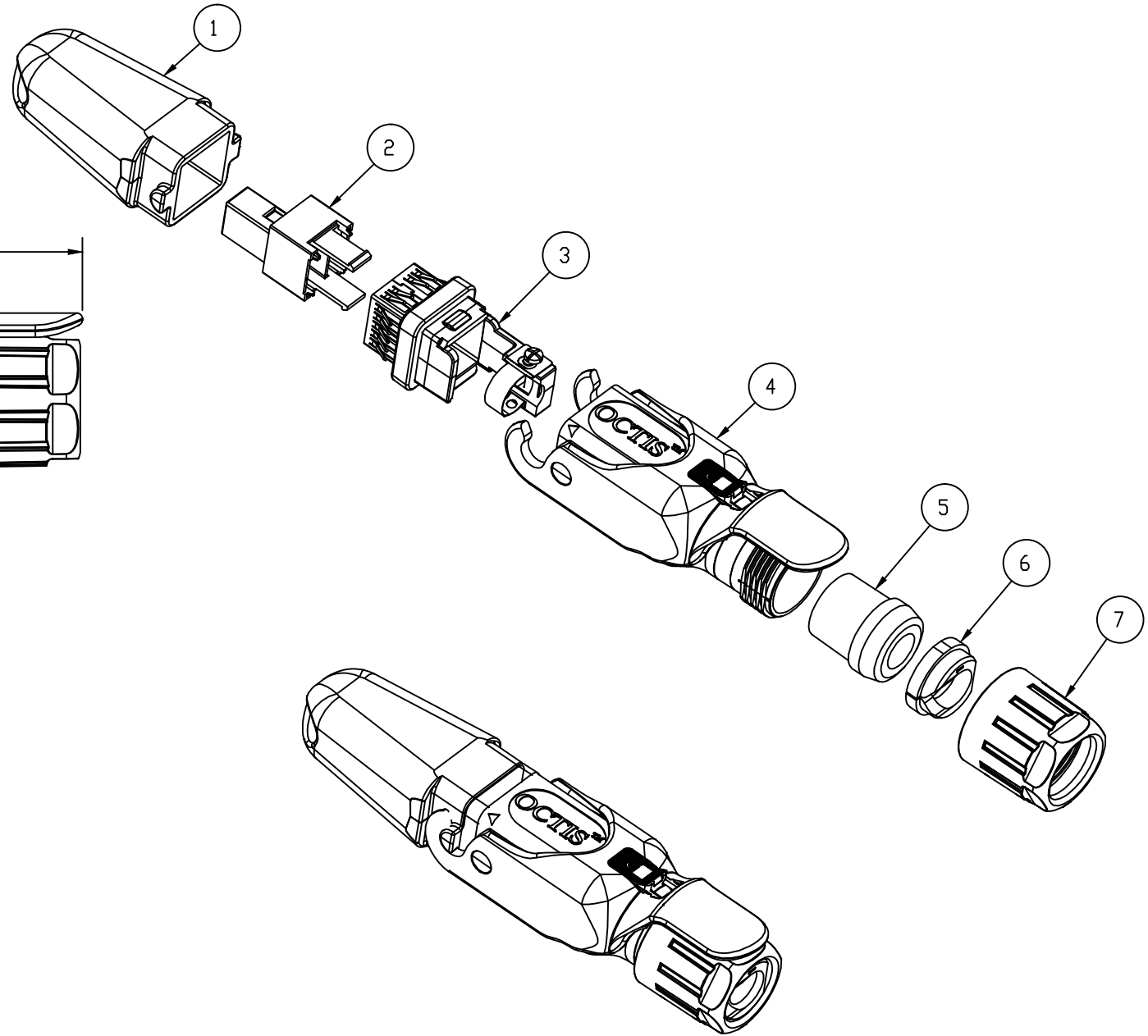
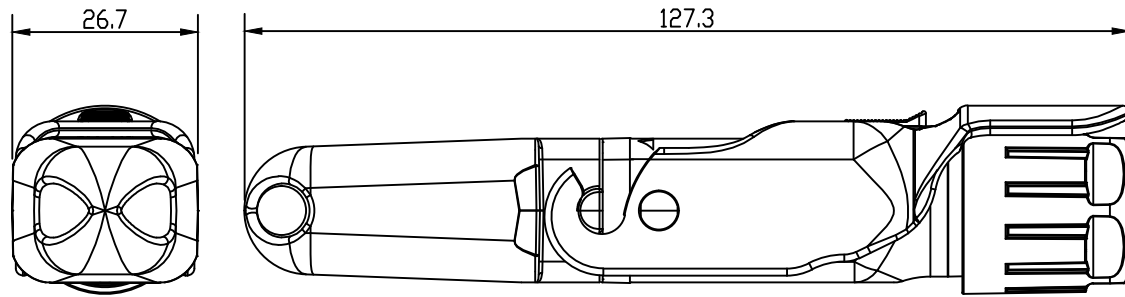
Email & Skype: info@chipsmall.com Web: www.chipsmall.com

Address: A1208, Overseas Decoration Building, #122 Zhenhua RD., Futian, Shenzhen, China



PLUG KIT PART NUMBER  
10135750-101LF

OCTIS PLUG KIT, PoE, FIELD TERMINABLE, PITCH 26 MM



SL NO.	COMPONENT	MATERIAL	REMARKS
1	PLUG CAP	PBT GF	-
2	CABLE CONNECTOR-PoE	-	-
3	HOLDER SUBSET KIT	ZAMAK	PASSIVATED
4	HOUSING SUBSET KIT	PBT GF	-
5	RUBBER GLAND	NBR	-
6	TIGHTENING CONE	PA	-
7	GLAND NUT	PBT GF	COLOUR - YELLOW

Amphenol  
FCI

© 2016 AFCI



mat'l. code		surface 58 / tolerance ISO 1302 / ISO 406 ISO 1101		projection		product family OCTIS	
ltr		ecn no dr date		tolerances unless otherwise specified		title	
A		- SAL 2015-09-18		angles linear 0.X ±0.3		OCTIS PLUG KIT, PoE	
B		ELX-I-22293 SAL 2015-10-26		0.XX ±0.10		FIELD TERMINABLE, PITCH 26 MM	
C		ELX-I-23480 SAL 2016-03-05		0° ±2° 0.XXX ±0.050		scale 1:1	
D		ELX-I-24026 SAL 2016-05-04		dr S.ALOSIUS 2015-09-18		dwg no sheet 1 of 1 size 5	
				engr S.ALOSIUS 2015-09-18		10135750 A3	
				chr S.ALOSIUS 2016-05-04		type Product Customer Drawing	
				appd BIJU K PAUL 2016-05-04			
sheet index		revision sheet		D 1			