



Chipsmall Limited consists of a professional team with an average of over 10 year of expertise in the distribution of electronic components. Based in Hongkong, we have already established firm and mutual-benefit business relationships with customers from,Europe,America and south Asia,supplying obsolete and hard-to-find components to meet their specific needs.

With the principle of “Quality Parts,Customers Priority,Honest Operation,and Considerate Service”,our business mainly focus on the distribution of electronic components. Line cards we deal with include Microchip,ALPS,ROHM,Xilinx,Pulse,ON,Everlight and Freescale. Main products comprise IC,Modules,Potentiometer,IC Socket,Relay,Connector.Our parts cover such applications as commercial,industrial, and automotives areas.

We are looking forward to setting up business relationship with you and hope to provide you with the best service and solution. Let us make a better world for our industry!



Contact us

Tel: +86-755-8981 8866 Fax: +86-755-8427 6832

Email & Skype: info@chipsmall.com Web: www.chipsmall.com

Address: A1208, Overseas Decoration Building, #122 Zhenhua RD., Futian, Shenzhen, China

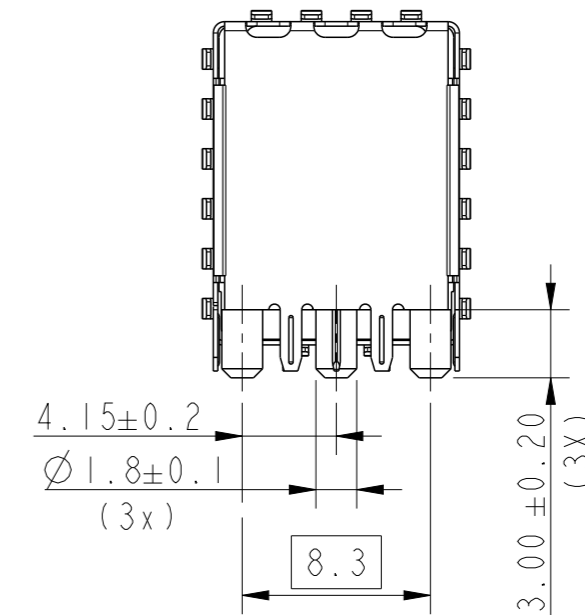
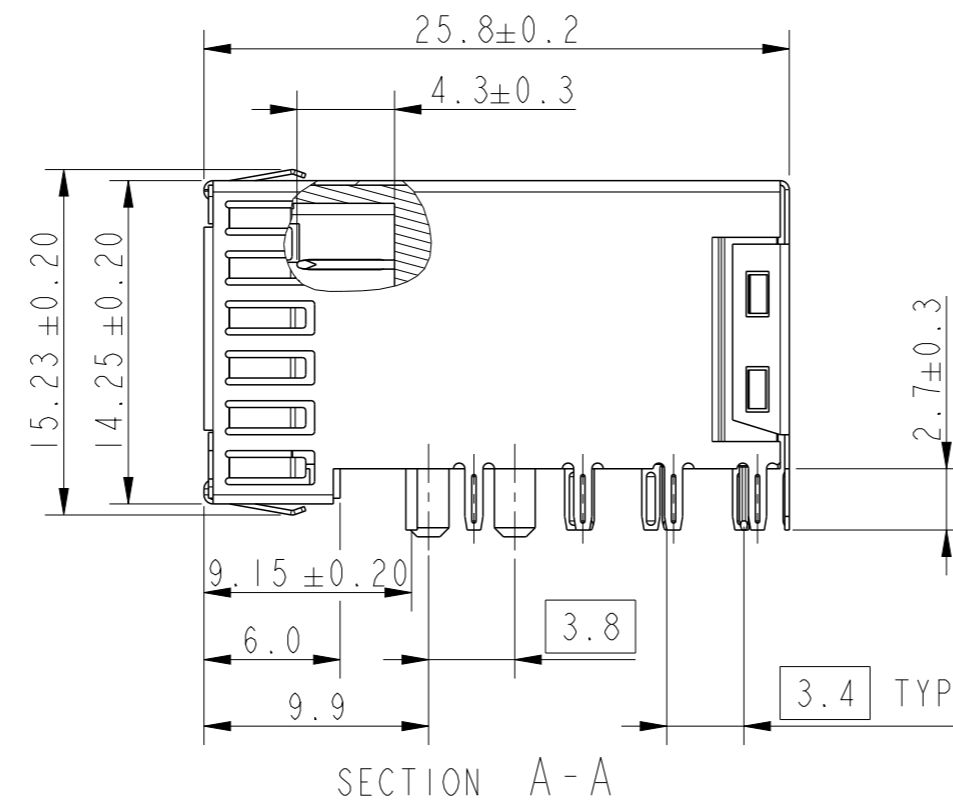
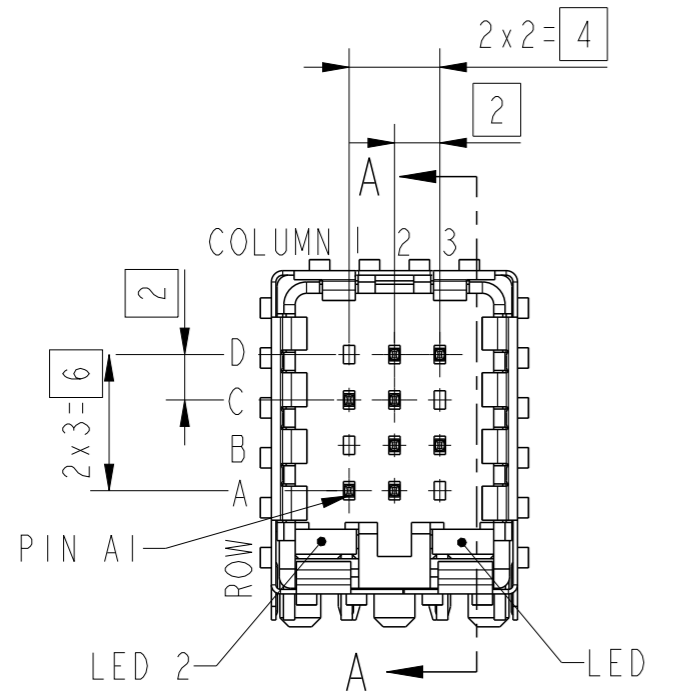
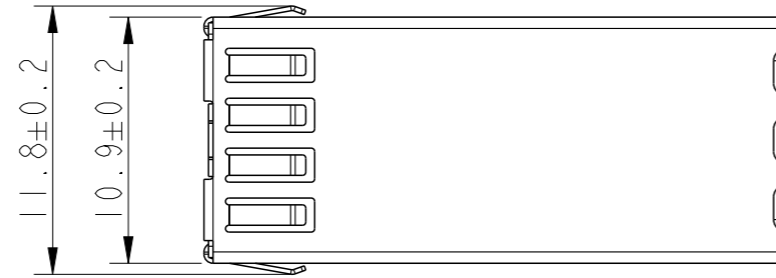
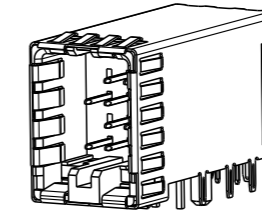
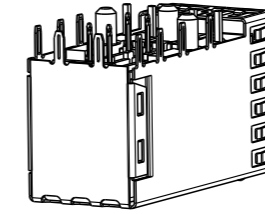


PRODUCT NUMBER

SEE TABLE
ON THIS SHEET

LED LOADING INFORMATION

PART NO. (SEE NOTE 9, PAGE 5)	LED 2 LEFT	LED 1 RIGHT
10137391-100LF	NIL	NIL
10137391-101LF	YELLOW	GREEN
10137391-102LF	NIL	GREEN
10137391-103LF	YELLOW	NIL
10137391-104LF	GREEN	YELLOW
10137391-105LF	GREEN	GREEN
10137391-106LF	YELLOW	YELLOW



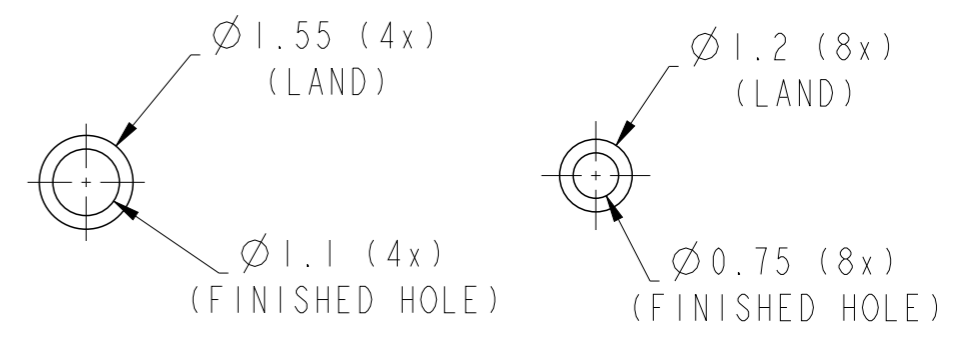
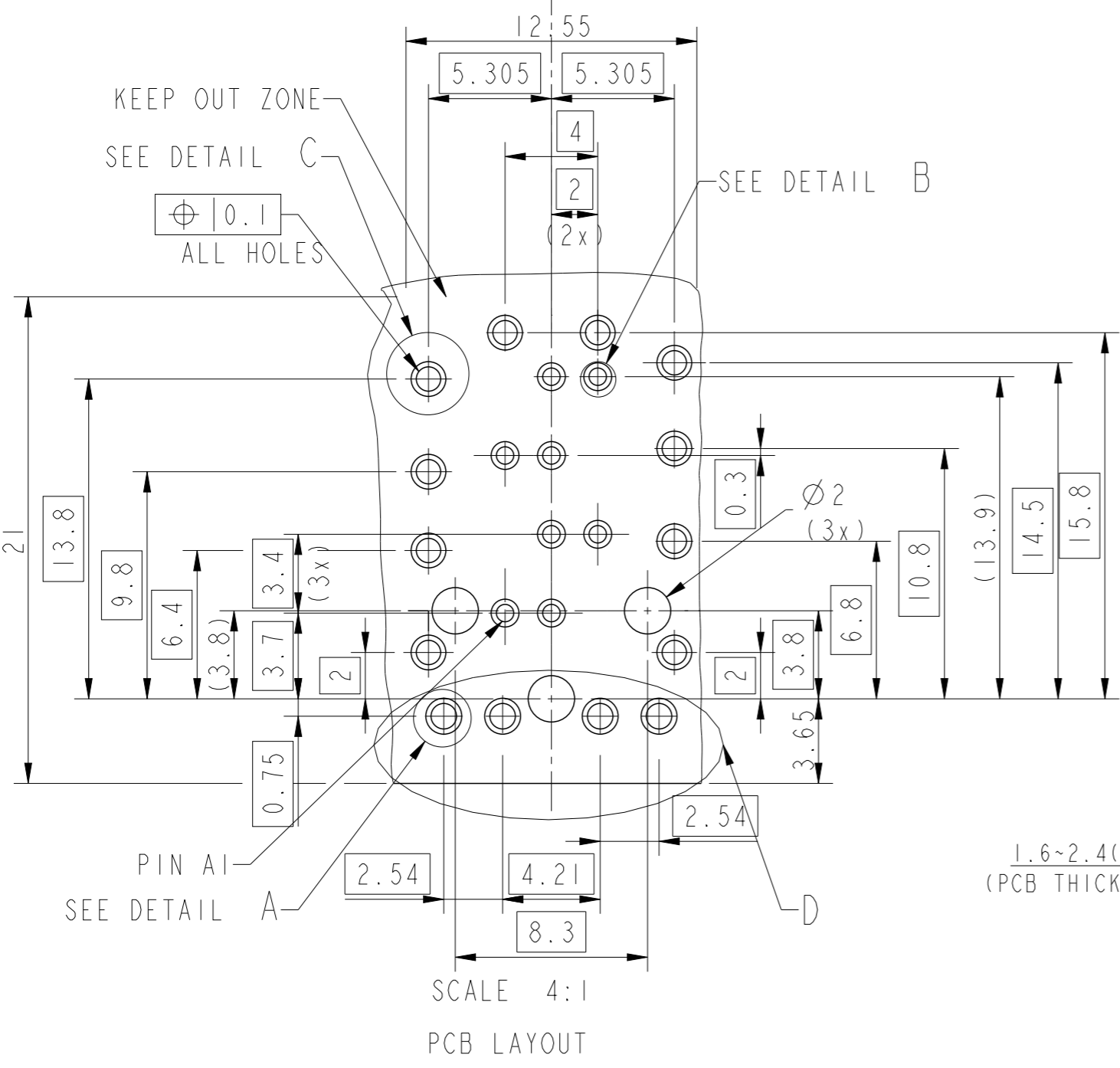
CONTACT LOADING PATTERN				
PART NO.	ROW	COLUMN 1	COLUMN 2	COLUMN 3
10137391-10XLF (SEE NOTE 9, PAGE 5)	D	-	x	x
	C	x	x	-
	B	-	x	x
	A	x	x	-

'x' DENOTES CONTACTS LOADED POSITION

spec ref	dr	Jibin John	2016/10/27	projection	MM	size	A3	scale	2:1
tolerance std	eng	Varghese, Bone	2018/05/08			ecn no	ELX-I-30091-1	rel level	Released
ISO 406 ISO 1101	chr	-	product family						
surface	appr	Varma Sudhir	2018/05/08	Amphenol FCI		title RIGHT ANGLE SHIELDED BOARD CONNECTOR BOLTRACK		cat. no. -	Product - Customer Drw
ISO 1302	linear	0.X	±0.3	title RIGHT ANGLE SHIELDED BOARD CONNECTOR BOLTRACK		dwg no 10137391	rev D	sheet 1 of 5	
	angular	0°	±2°	cat. no. -		Product - Customer Drw		sheet 1 of 5	

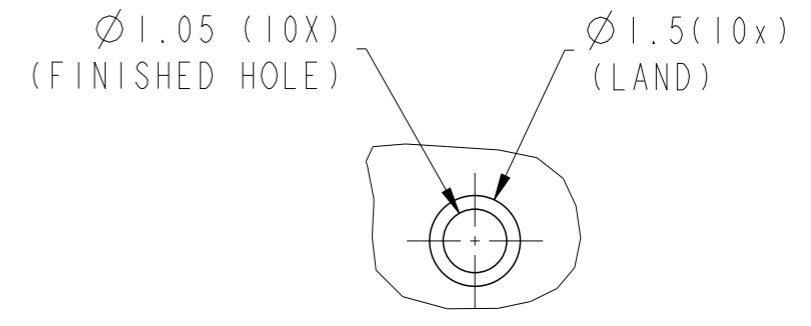
VIEW FROM COMPONENT SIDE

PCB



DETAIL A
SCALE 8:1
LED HOLES

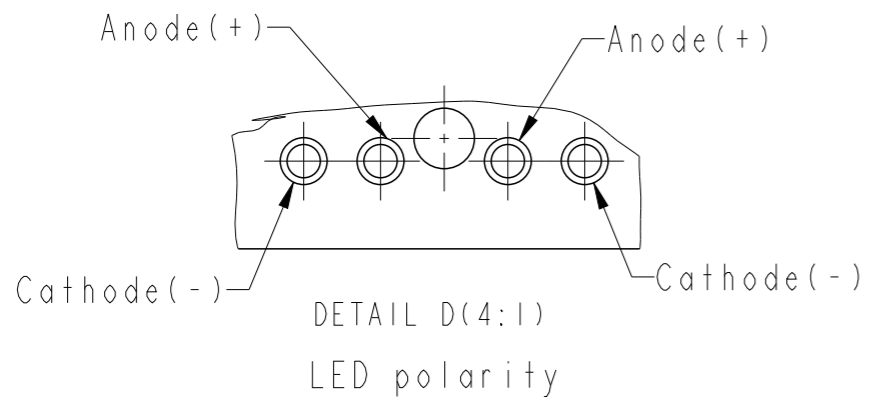
DETAIL B
SCALE 8:1
SIGNAL HOLES



DETAIL C
SCALE 8:1
SHIELD HOLES

1.6~2.4(±10%)
(PCB THICKNESS)

	SIGNAL PTH DETAILS	SHIELD PTH DETAILS	LED PTH DETAILS
DRILLED HOLE	0.82-0.87mm	1.12-1.17mm	1.17-1.22mm
COPPER PLATING	25-50µm	25-50µm	25-50µm
TIN PLATING	0.8-1.2µm	0.8-1.2µm	0.8-1.2µm
FINISHED HOLE DIA	0.70-0.80mm	1.00-1.10mm	1.05-1.15mm

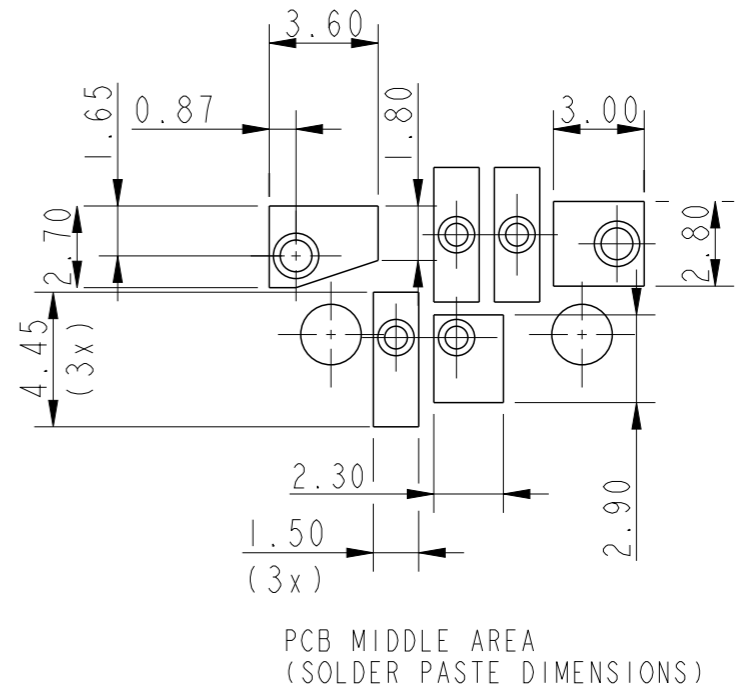
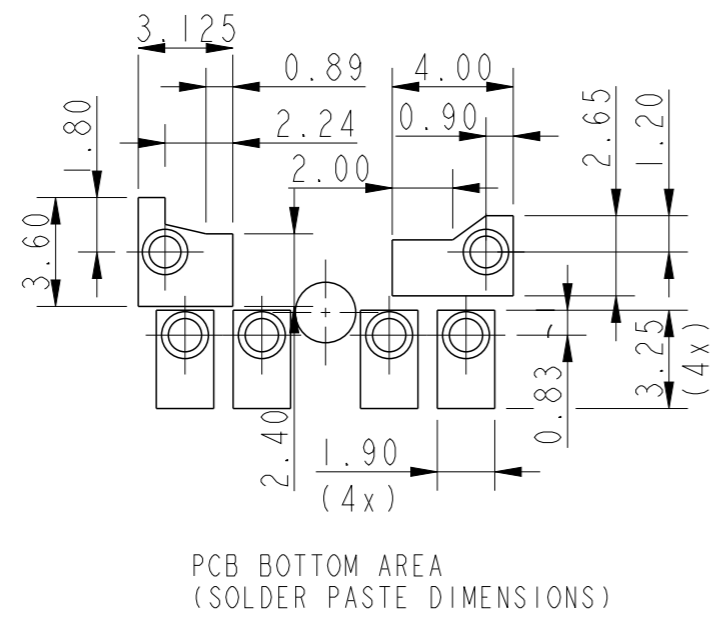
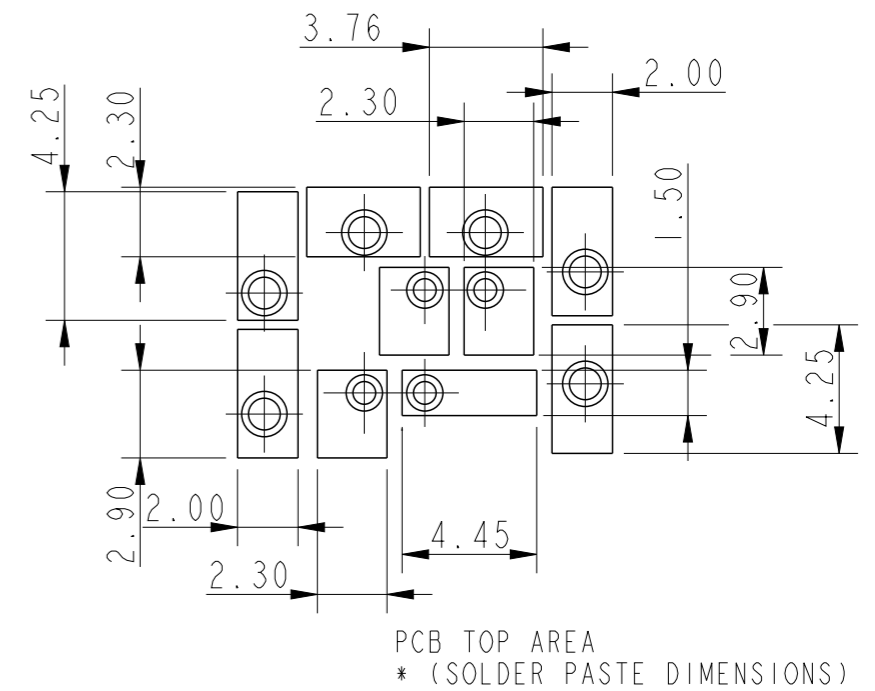
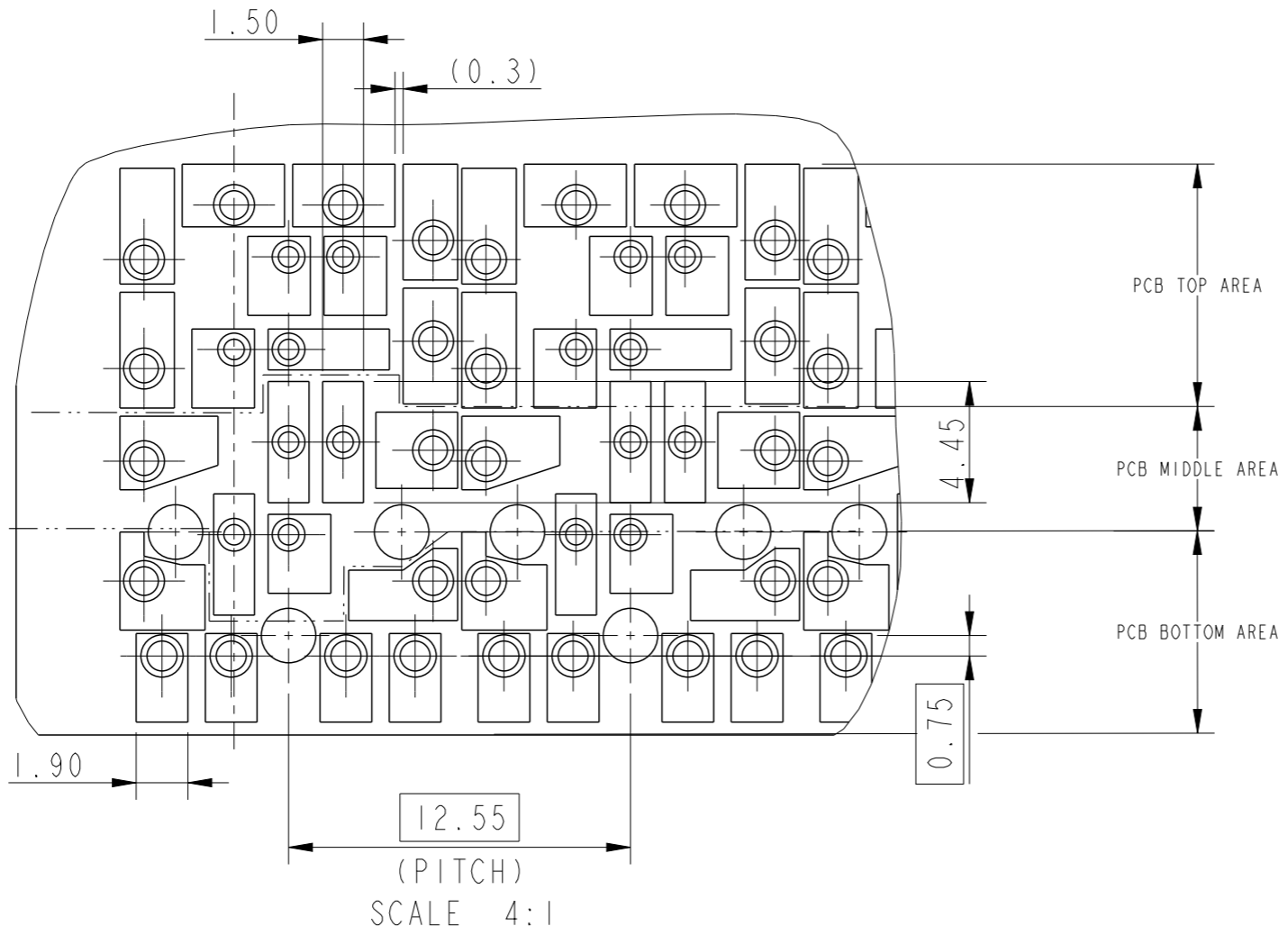


DETAIL D(4:1)
LED polarity

spec ref	dr	Jibin John	2016/10/27	projection	MM	size	A3	scale	2:1
tolerance std	eng	Varghese, Bone	2018/05/08			ecn no	ELX-I-30091-1	rel level	Released
ISO 406 ISO 1101	chr	-	-						
surface	linear	0.X	±0.3	product family	BOLTRACK	dwg no	10137391	rev	D
		0.XX	±0.13						
ISO 1302	angular	0°	±2°	cat. no.	-	Product - Customer Drw	sheet 2 of 5		



RIGHT ANGLE SHIELDED BOARD CONNECTOR
BOLTRACK



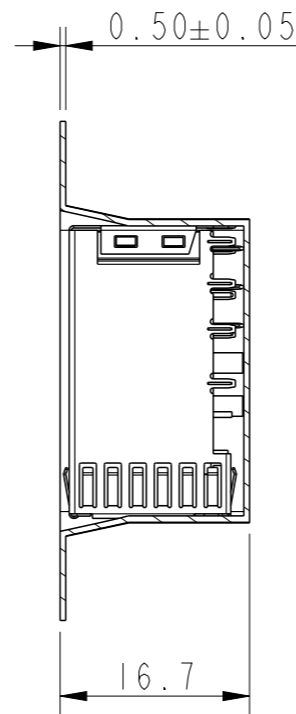
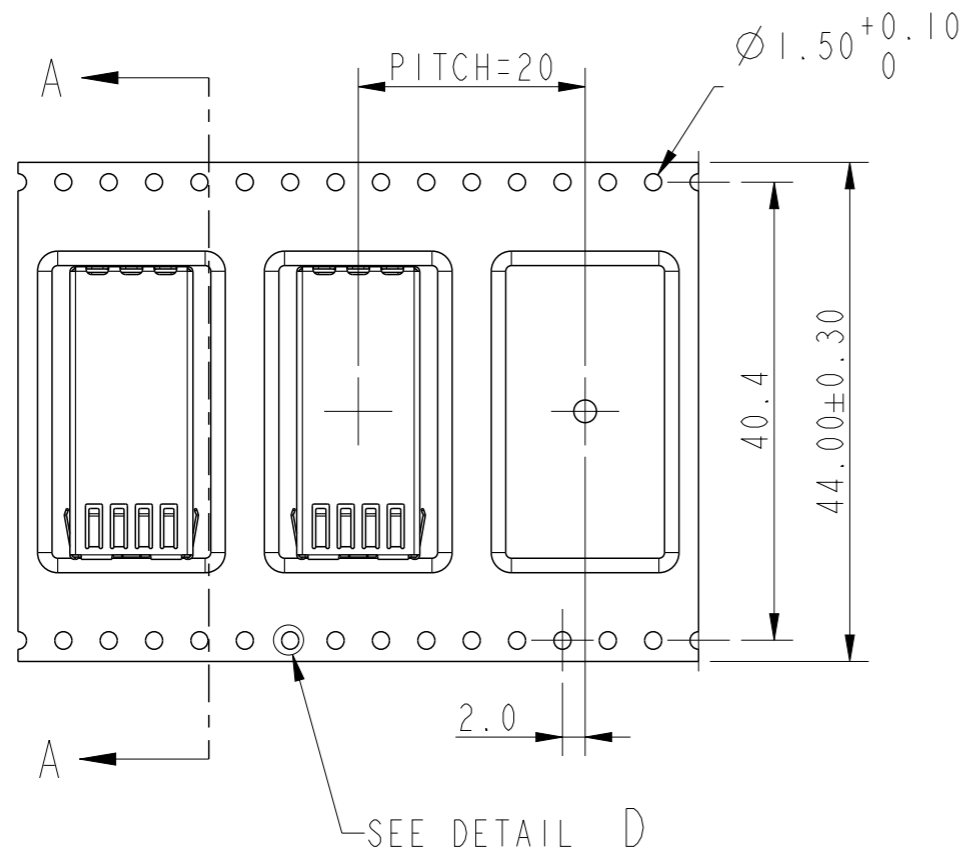
* THICKNESS OF SOLDER PASTE IS 0.125 MM

spec ref	dr	Jibin John	2016/10/27	projection	MM	size	A3	scale	2:1
tolerance std	eng	Varghese, Bone	2018/05/08			ecn no	ELX-I-30091-1	rel level	Released
ISO 406 ISO 1101	chr	-	-						
surface	linear	0.X	±0.3	Amphenol FCI title RIGHT ANGLE SHIELDED BOARD CONNECTOR BOLTRACK cat. no. -	product family BOLTRACK Product - Customer Drw	dwg no 10137391	rev D	sheet 3 of 5	
		0.XX	±0.13						
ISO 1302	angular	0°	±2°						

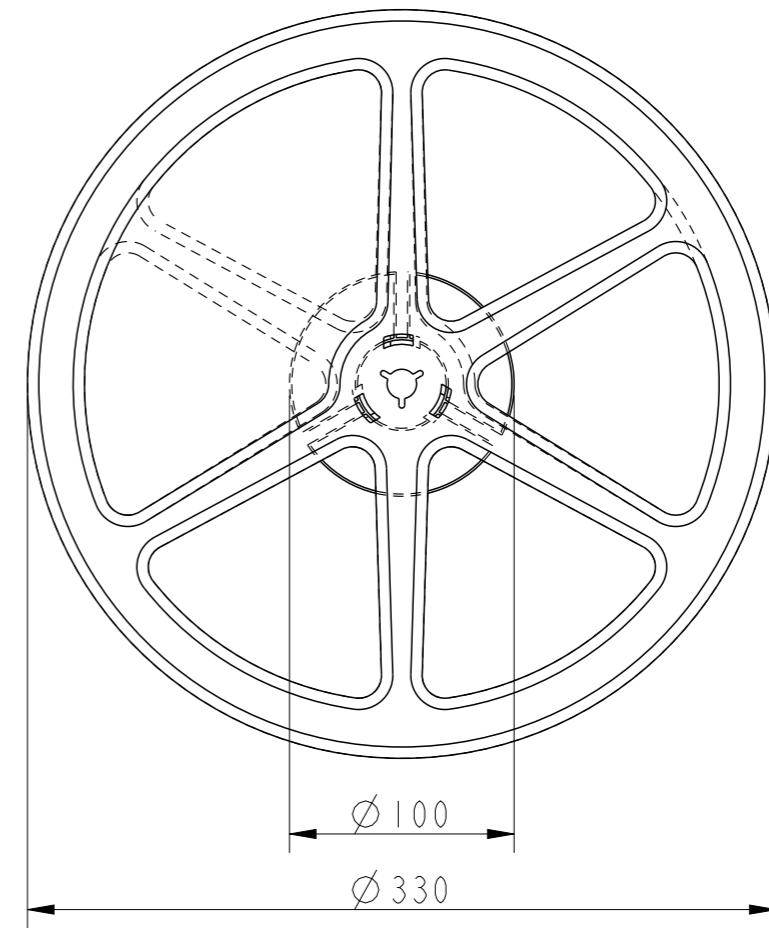
Amphenol FCI

© 2016 AFCI

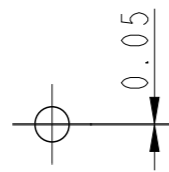
PACKAGING SPECIFICATION



SECTION A-A



DIRECTION OF FEED →



DETAIL D
SCALE 3:1

TAPE & REEL PACKING DETAILS

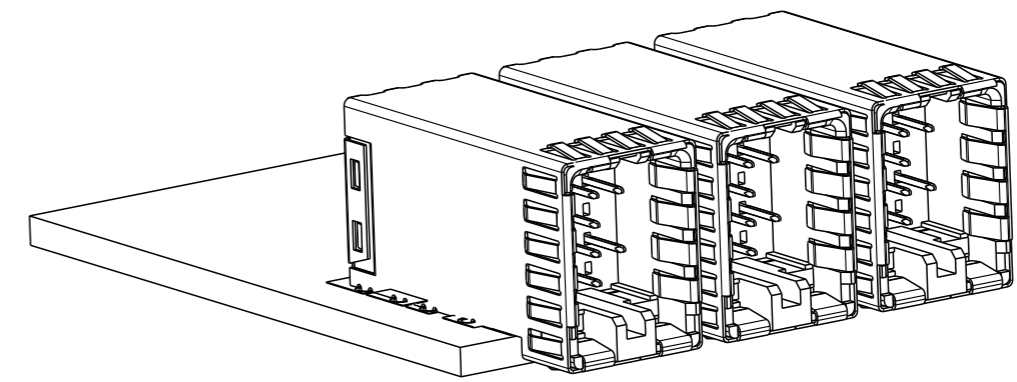
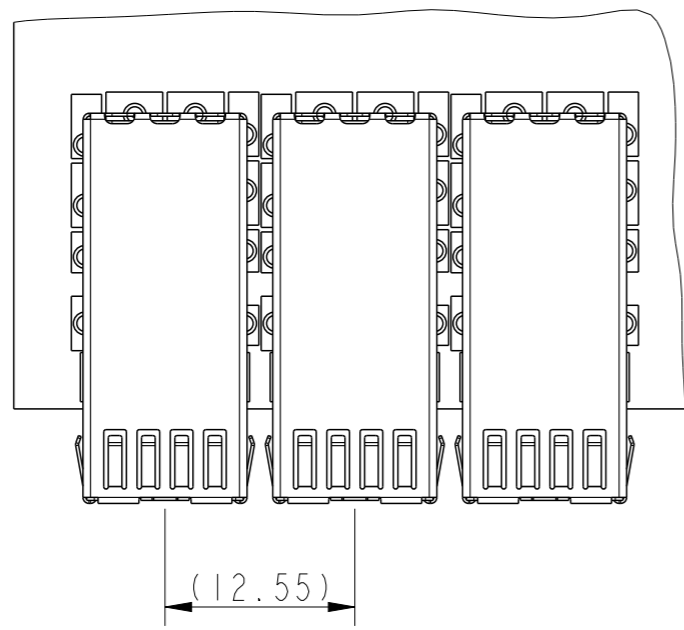
NOTES:

1. PACKAGING DETAILS AS PER EIA-481 STD.
2. PACKING SHOULD BE ANTISTATIC.
3. MATERIAL :
CARRIER TAPE : POLYSTYRENE
COVER TAPE : POLYSTYRENE

spec ref		dr	Jibin John	2016/10/27	projection	MM	size	A3	scale	1:1
tolerance std		eng	Varghese, Bone	2018/05/08			ecn no	ELX-I-30091-1	rel level	Released
ISO 406 ISO 1101		chr	-	-						
surface	linear	0.X	±0.3		RIGHT ANGLE SHIELDED BOARD CONNECTOR		dwg no	10137391	rev	D
		0.XX	±0.13		BOLTRACK					
ISO 1302	angular	0°	±2°		cat. no.	-	Product - Customer Drw	sheet 4 of 5		

A

B



A

B

Amphenol
FCi

© 2016 AFCI

C

D

NOTES:

- 1. MATERIAL :
 -RESIN - LCP, GLASS FILLED, FLAME RETARDENT ACC FLAMMABILITY CLASIFICACION - UL94-V0
 -SIGNAL CONTACTS - COPPER ALLOY
 -CAGE - COPPER ALLOY
- 2. PLATING :
 -GOLD OVER PALLADIUM NICKEL ON CONTACT AREA OF SIGNALS PURE TIN AT TERMINAL AREA OF SIGNALS
- 3. PRODUCT SPECIFICATION: GS-XX-XXX
- 4. APPLICATION SPECIFICATION: GS-XX-XXX
- 5. PACKAGING - TAPE & REEL / TRAY
 PACKAGING SPECIFICATION: GS-XX-XXX

- 6. UNDER PLATING FOR CONTACTS IS 1.27μ NICKEL.
- 7. PRODUCT WILL WITHSTAND EXPOSURE TO 260° FOR 60 SECONDS IN A CONVECTION, INFRA RED OR VAPOUR PHASE REFLOW OVEN
- 8. PRODUCT WHERE THE PARTNUMBER ENDS IN LF MEETS EUROPEAN DIRECTIVES AND OTHER COUNTRY REGULATIONS AS DESCRIBED IN GS-47-0004.
- 9. FOR TRAY PACKAGING THE PART NUMBER WOULD BE 10137391-10XPLF

C

D

spec ref		dr	Jibin John	2016/10/27	projection	MM	size	A3	scale	2:1		
tolerance std		eng	Varghese, Bone	2018/05/08			ecn no		ELX-I-30091-1			
ISO 406 ISO 1101		chr	-	-			rel level		Released			
TOLERANCES UNLESS OTHERWISE SPECIFIED		appr	Varma Sudhir	2018/05/08	product family		BOLTRACK					
surface	linear	0.X		±0.3	Amphenol FCi	RIGHT ANGLE SHIELDED BOARD CONNECTOR		dwg no	10137391		rev	D
		0.XX		±0.13		BOLTRACK						
ISO 1302		angular	0°			±2°	cat. no.		-		Product - Customer Drw	