



Chipsmall Limited consists of a professional team with an average of over 10 year of expertise in the distribution of electronic components. Based in Hongkong, we have already established firm and mutual-benefit business relationships with customers from,Europe,America and south Asia,supplying obsolete and hard-to-find components to meet their specific needs.

With the principle of “Quality Parts,Customers Priority,Honest Operation,and Considerate Service”,our business mainly focus on the distribution of electronic components. Line cards we deal with include Microchip,ALPS,ROHM,Xilinx,Pulse,ON,Everlight and Freescale. Main products comprise IC,Modules,Potentiometer,IC Socket,Relay,Connector.Our parts cover such applications as commercial,industrial, and automotives areas.

We are looking forward to setting up business relationship with you and hope to provide you with the best service and solution. Let us make a better world for our industry!



Contact us

Tel: +86-755-8981 8866 Fax: +86-755-8427 6832

Email & Skype: info@chipsmall.com Web: www.chipsmall.com

Address: A1208, Overseas Decoration Building, #122 Zhenhua RD., Futian, Shenzhen, China

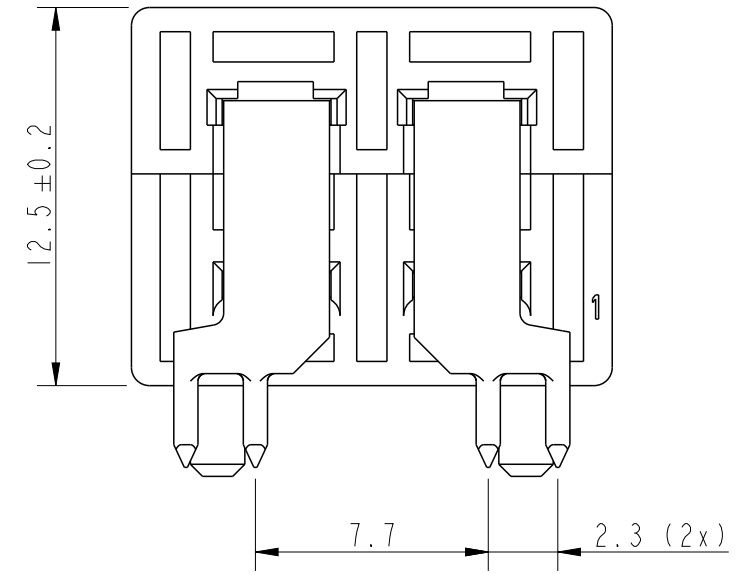
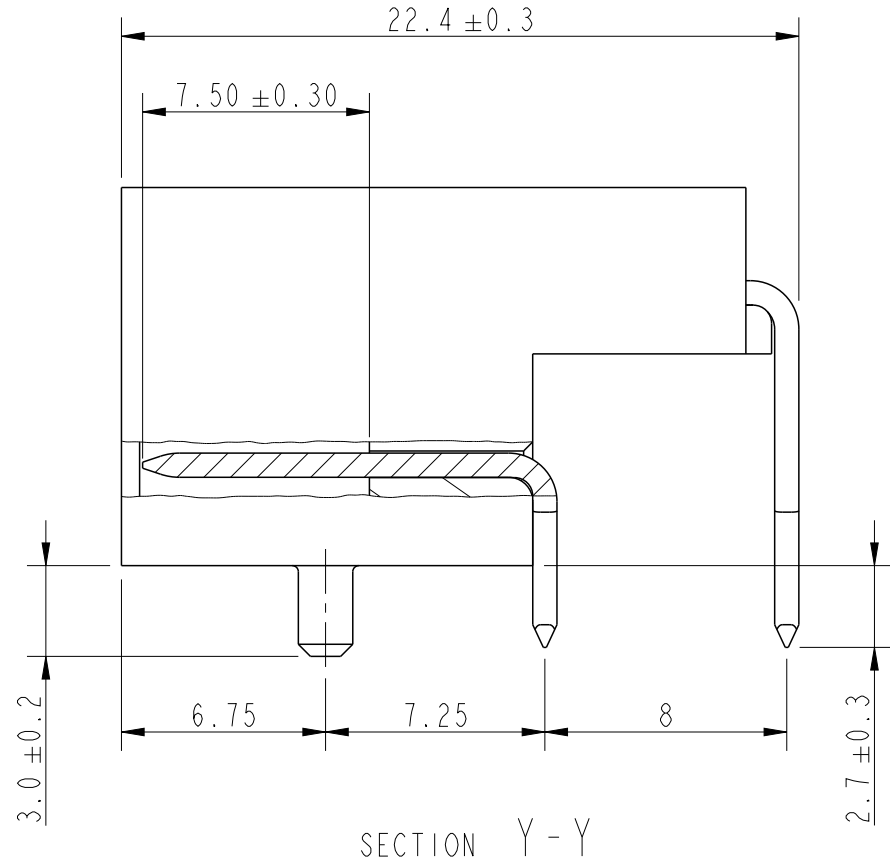
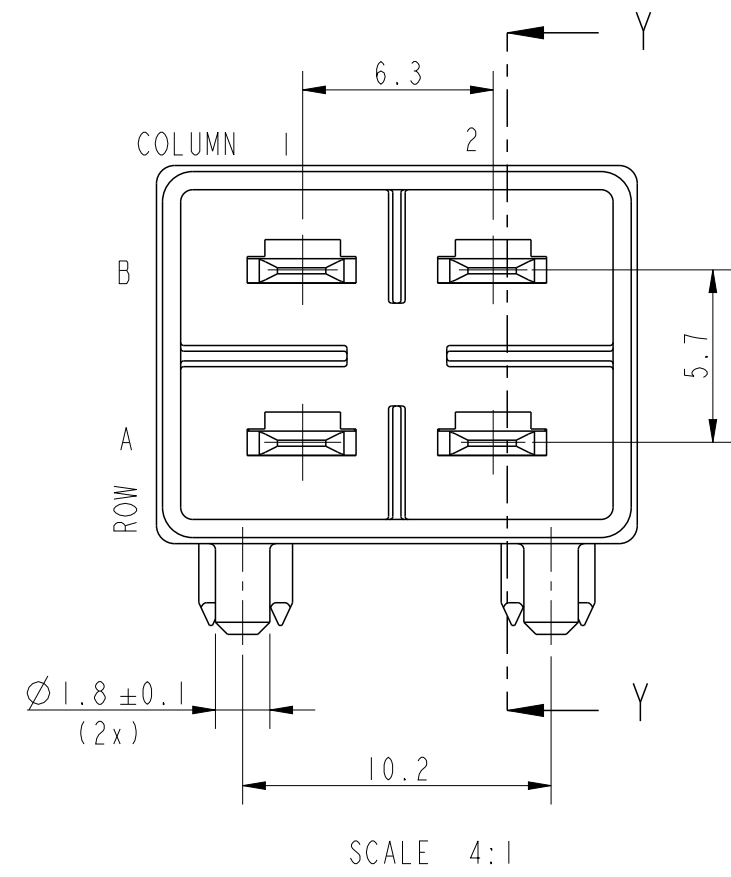


PRODUCT NUMBER
SEE TABLE ON THIS PAGE



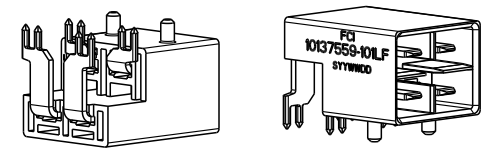
PART NO.	ROW	COLUMN	
		1	2
10137559-101LF	B	X	X
	A	X	X
10137559-102LF	B	X	-
	A	X	X
10137559-103LF	B	-	X
	A	X	X

'X' INDICATES CONTACT LOADING POSITION



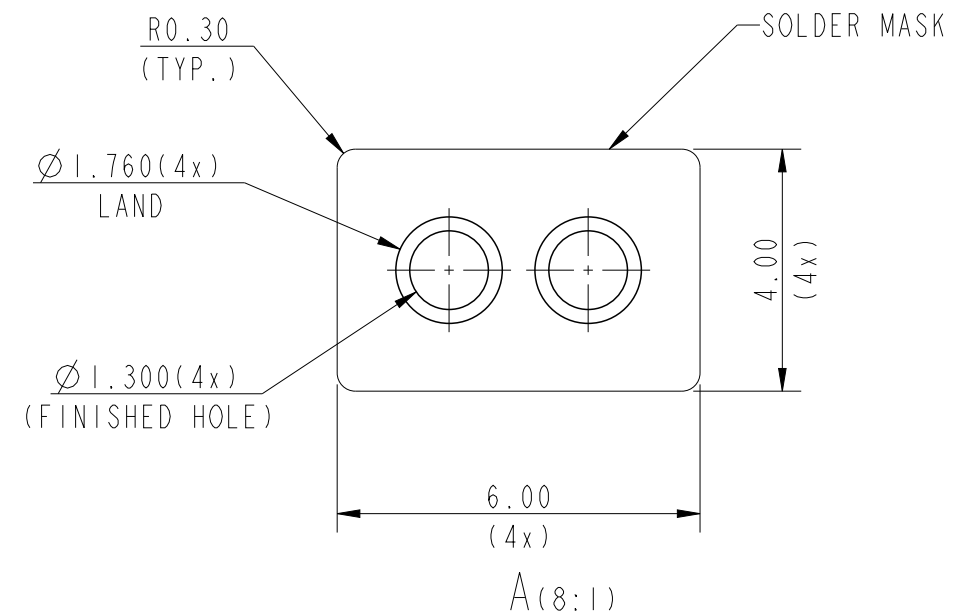
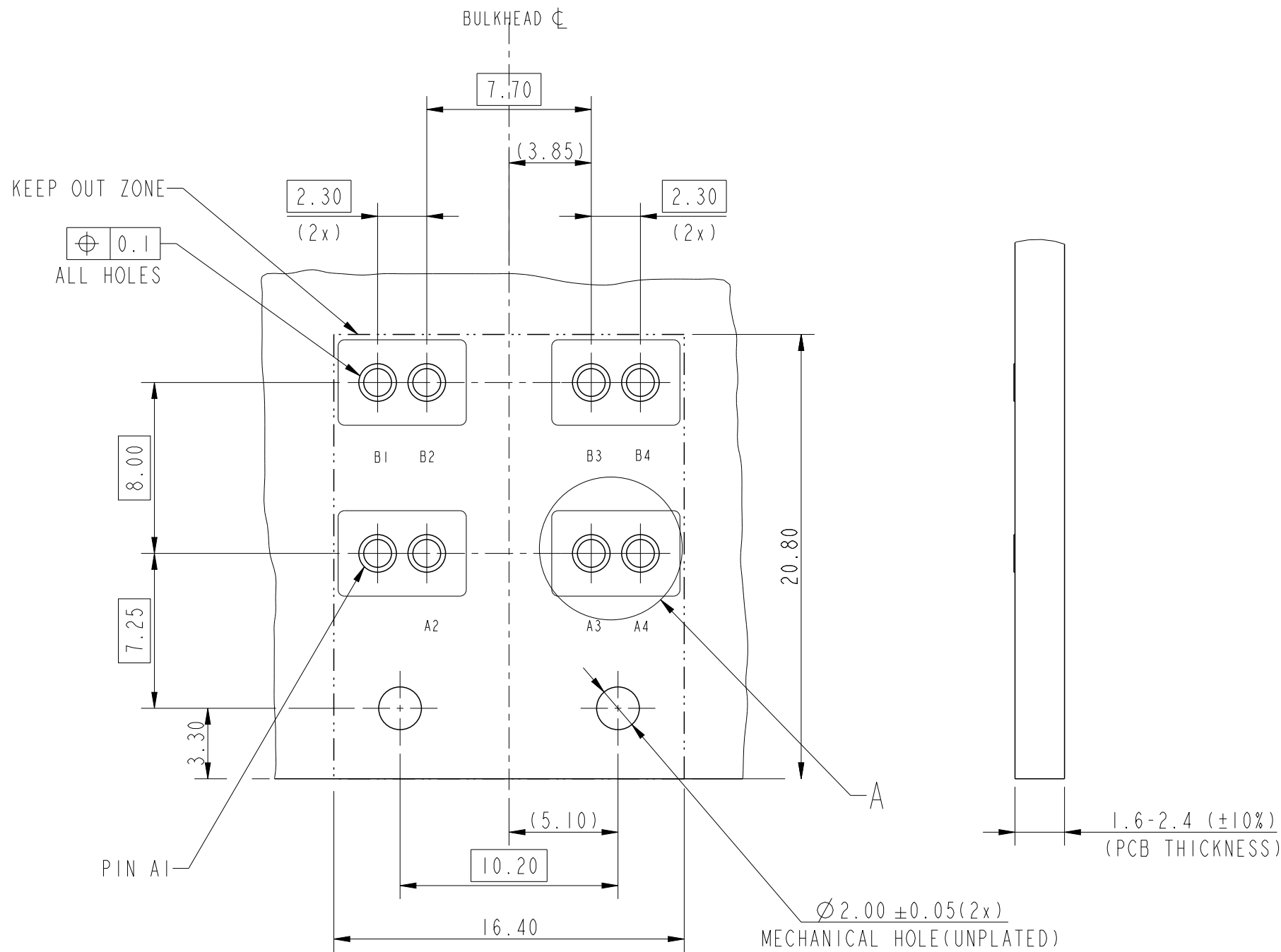
Amphenol
FCi

© 2016 AFCI



spec ref	-	dr	Jibin John	2016/11/04	projection	mm	size	A3	scale	2:1	
tolerance std	ISO 406 ISO 1101	eng	Varghese, Bone	2018/05/07			ecn no	ELX-I-30092-1			
TOLERANCES UNLESS OTHERWISE SPECIFIED		chr	-	-			product family	OCTIS	rel level	Released	
surface	linear	0.X	±0.3	Amphenol FCi	POWER RIGHT ANGLE 2X2 BOARD CONNECTOR WITH PIP TERMINATION		dwg no	10137559		rev	E
		0.XX	±0.13				cat. no.	-	Product - Customer Drw	sheet 1 of 4	
	angular	0°	±2°								

VIEW FROM COMPONENT SIDE



NOTES:

- MATERIAL :
- RESIN - LCP, GLASS FILLED, FLAME RETARDANT ACC
FLAMMABILITY CLASSIFICATION - UL94-V0
- POWER CONTACTS - COPPER ALLOY
- PLATING :
- PURE TIN ON POWER CONTACTS
- PRODUCT SPECIFICATION: GS-12-1413 & GS-12-1339
- APPLICATION SPECIFICATION: GS-20-0454
- PACKAGING - TAPE & REEL
- UNDER PLATING FOR CONTACTS IS 1.27µm NICKEL.
- PRODUCT WILL WITHSTAND EXPOSURE TO 260° FOR 60 SECONDS IN A CONVECTION, INFRA RED OR VAPOUR PHASE REFLOW OVEN
- PRODUCT WHERE THE PARTNUMBER ENDS IN LF MEETS EUROPEAN DIRECTIVES AND OTHER COUNTRY REGULATIONS AS DESCRIBED IN GS-47-0004.

1.6-2.4 (±10%)
(PCB THICKNESS)

SCALE 4:1

NOTE: ABOVE PCB IS FOR P/N 10137559-101LF
FOR 10137559-102LF, REMOVE THE HOLES B3, B4
FOR 10137559-103LF, REMOVE THE HOLES B1, B2

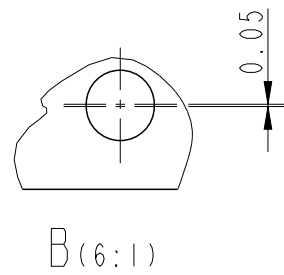
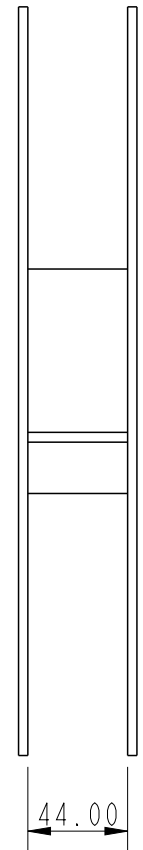
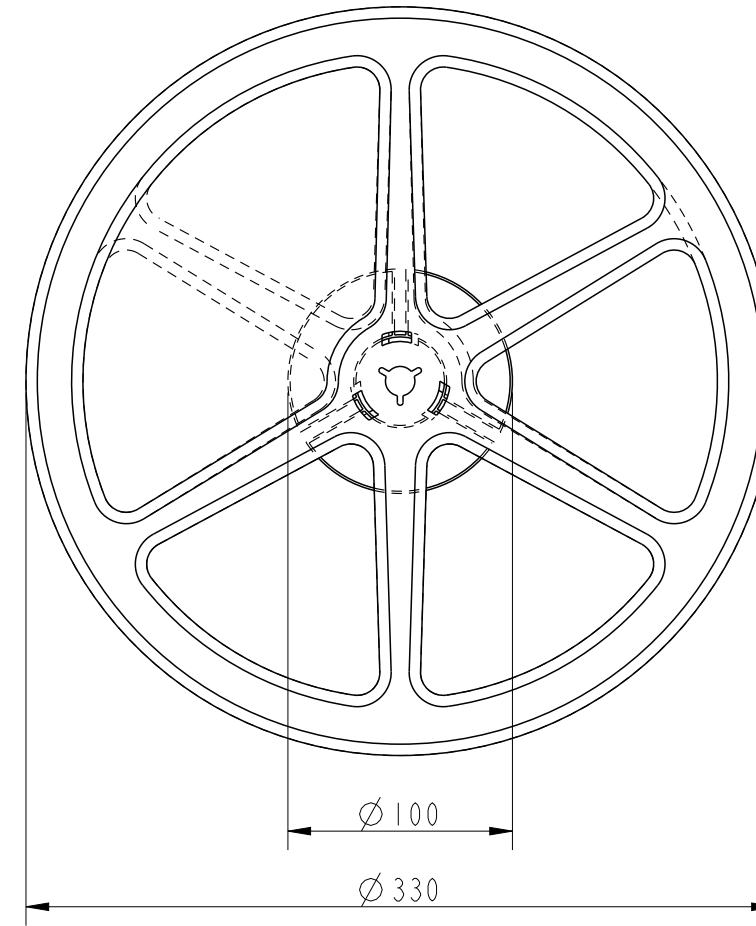
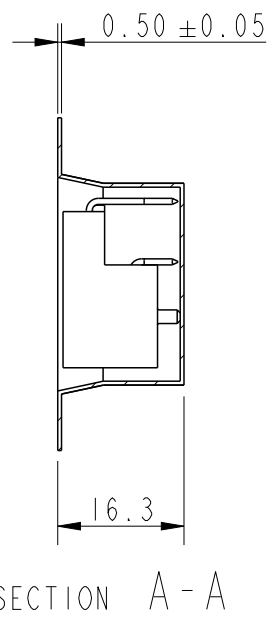
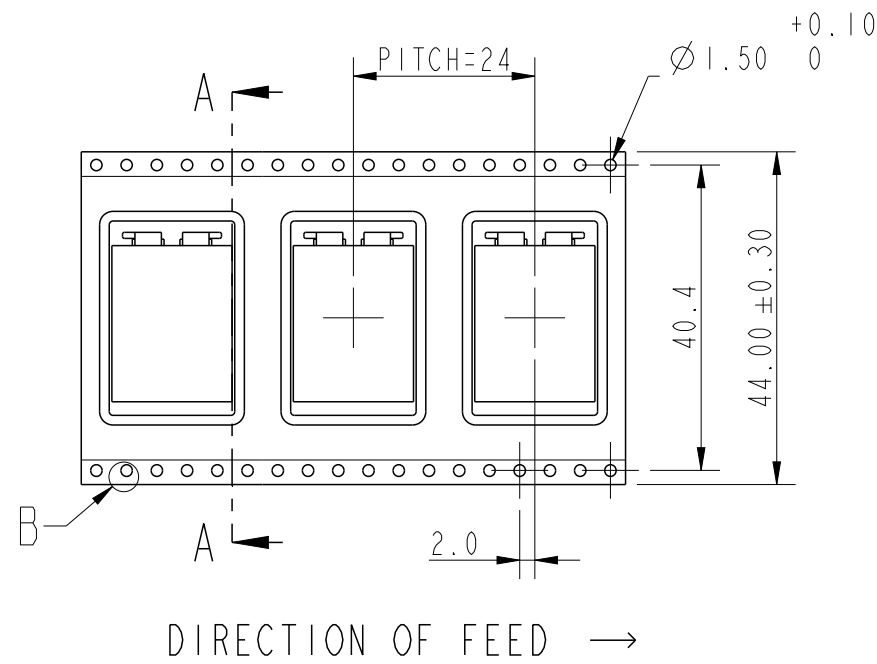
Amphenol FCI

© 2016 AFCI

POWER PTH DETAILS	
DRILLED HOLE	1.37-1.42mm
COPPER PLATING	25-50µm
TIN PLATING	0.8-1.2µm
FINISHED HOLE DIA	1.25-1.35mm

spec ref	-	dr	Jibin John	2016/11/04	projection	mm	size	A3	scale	2:1
tolerance std	ISO 406 ISO 1101	eng	Varghese, Bone	2018/05/07			ecn no	ELX-I-30092-1	rel level	Released
TOLERANCES UNLESS OTHERWISE SPECIFIED		chr	-	-			product family	OCTIS		
surface	linear	0.X	±0.3		POWER RIGHT ANGLE 2X2 BOARD CONNECTOR		dwg no	10137559	rev	E
		0.XX	±0.13		WITH PIP TERMINATION					
	angular	0°	±2°		cat. no.	-	Product - Customer Drw	sheet 2 of 4		

PACKAGING SPECIFICATION



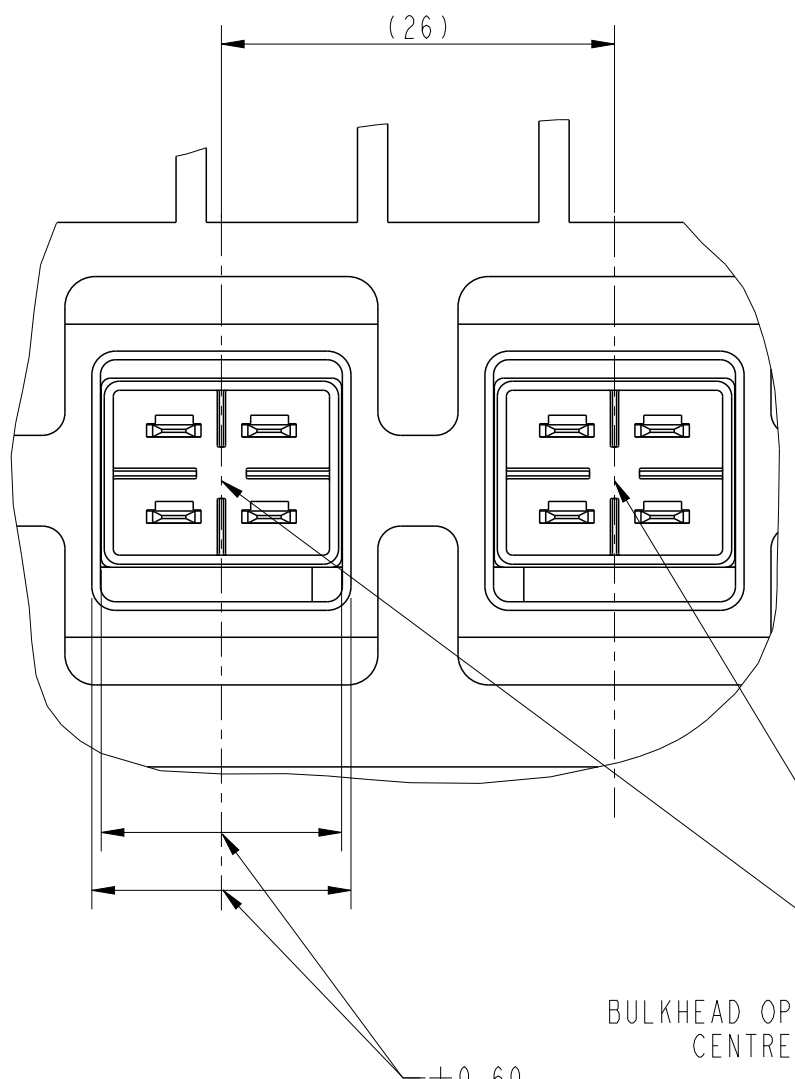
TAPE & REEL PACKING DETAILS

NOTES:

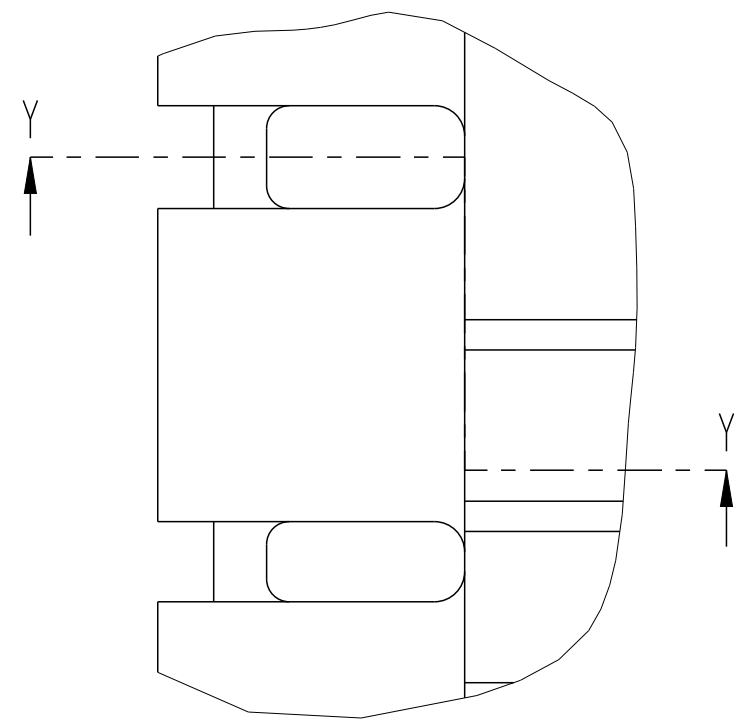
1. PACKAGING DETAILS AS PER EIA-481 STD.
2. PACKING SHOULD BE ANTISTATIC.
3. MATERIAL :
CARRIER TAPE : POLYSTYRENE
COVER TAPE : POLYSTYRENE

spec ref	-			dr	Jibin John	2016/11/04	projection	mm	size	A3	scale	2:1
tolerance std	TOLERANCES UNLESS OTHERWISE SPECIFIED			eng	Varghese, Bone	2018/05/07			ecn no		ELX-I-30092-1	
ISO 406 ISO 1101				chr	-	product family			OCTIS	rel level		Released
surface	linear	0.X	±0.3		POWER RIGHT ANGLE 2X2 BOARD CONNECTOR			dwg no	10137559		rev	
		0.XX	±0.13									
0.XXX	±0.050	cat. no.										-
ISO 1302	angular	0°	±2°									

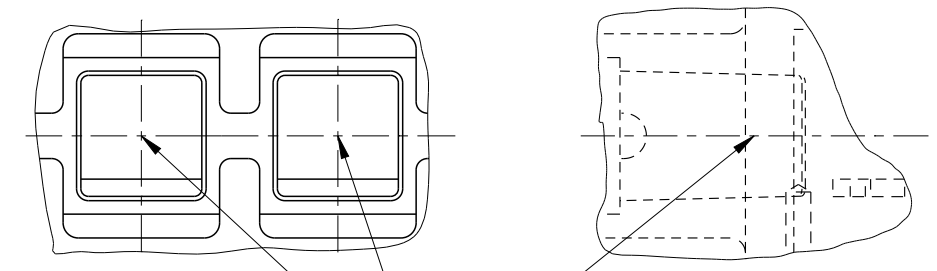
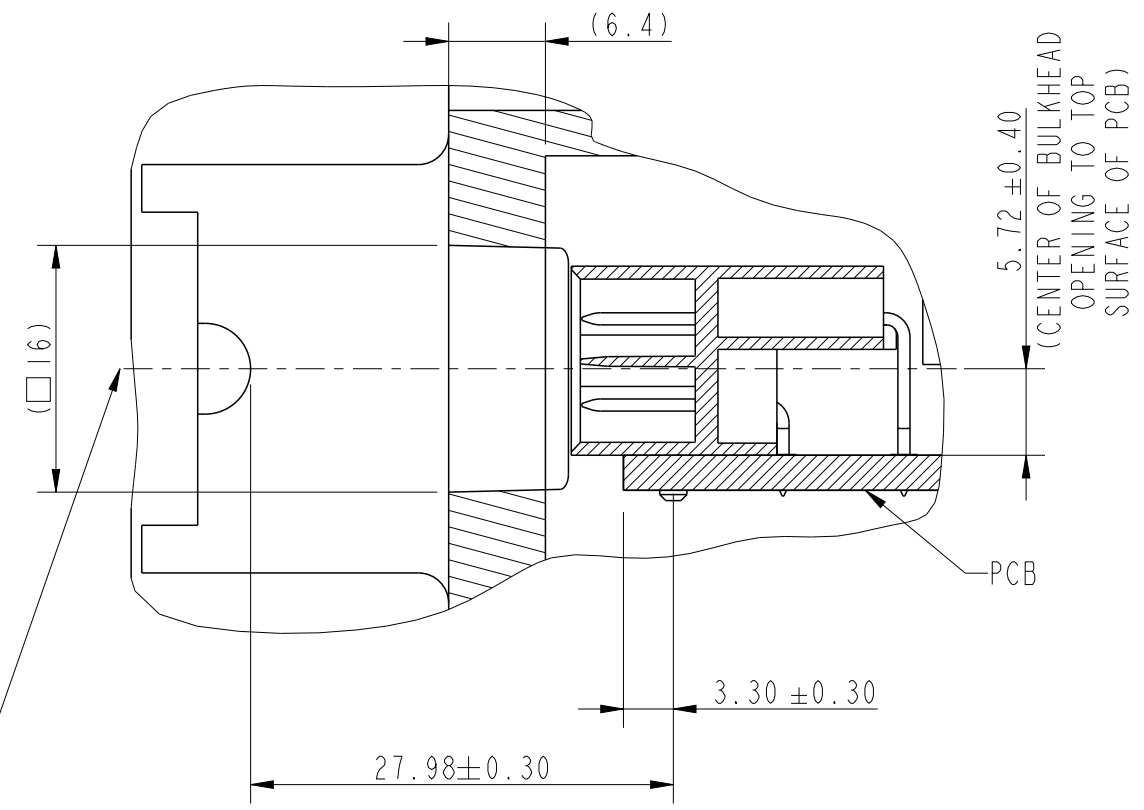
BOARD CONNECTOR
WITH BULKHEAD



±0.60
CENTERING OF THE BOARD
CONNECTOR WITH BULKHEAD
CAVITY



SECTION Y-Y



BULKHEAD OPENING

spec ref	-	dr	Jibin John	2016/11/04	projection	mm	size	A3	scale	2:1
tolerance std	ISO 406 ISO 1101	eng	Varghese, Bone	2018/05/07			ecn no	ELX-I-30092-1	rel level	Released
TOLERANCES UNLESS OTHERWISE SPECIFIED		chr	-	2018/05/07			product family	OCTIS	rel level	Released
surface	linear	0.X	±0.3	Amphenol FCi	POWER RIGHT ANGLE 2X2 BOARD CONNECTOR WITH PIP TERMINATION		dwg no	10137559	rev	E
		0.XX	±0.13				cat. no.	-	Product - Customer Drw	sheet 4 of 4
	angular	0°	±2°				PDS: Rev :E		STATUS:Released	