



Chipsmall Limited consists of a professional team with an average of over 10 year of expertise in the distribution of electronic components. Based in Hongkong, we have already established firm and mutual-benefit business relationships with customers from,Europe,America and south Asia,supplying obsolete and hard-to-find components to meet their specific needs.

With the principle of “Quality Parts,Customers Priority,Honest Operation,and Considerate Service”,our business mainly focus on the distribution of electronic components. Line cards we deal with include Microchip,ALPS,ROHM,Xilinx,Pulse,ON,Everlight and Freescale. Main products comprise IC,Modules,Potentiometer,IC Socket,Relay,Connector.Our parts cover such applications as commercial,industrial, and automotives areas.

We are looking forward to setting up business relationship with you and hope to provide you with the best service and solution. Let us make a better world for our industry!



Contact us

Tel: +86-755-8981 8866 Fax: +86-755-8427 6832

Email & Skype: info@chipsmall.com Web: www.chipsmall.com

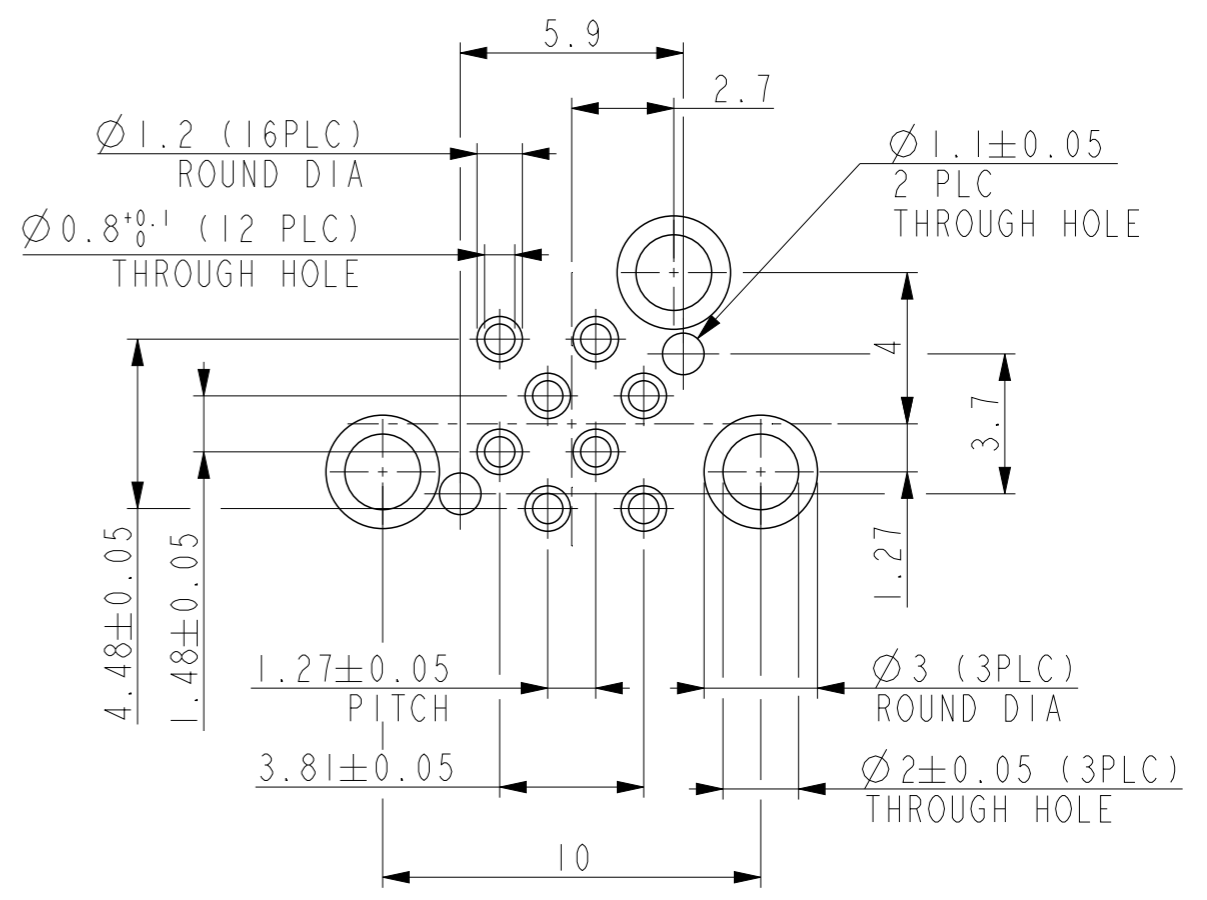
Address: A1208, Overseas Decoration Building, #122 Zhenhua RD., Futian, Shenzhen, China



PRODUCT NUMBERING:
 10137849 - 0 0 X 0 LF
 LEAD FREE
 1: TYPE I
 2: TYPE II

NOTES:

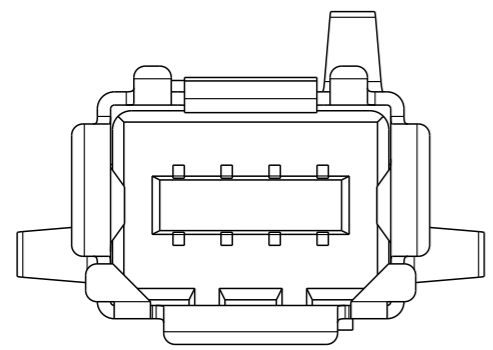
- MATERIAL AND FINISH
 CONTACT: COPPER ALLOY
 UNDER ALL SURFACE NICKEL 1.27µm MIN.
 TOP CONTACT AREA : GOLD 0.5µm MIN
 SOLDERING AREA : TIN PLATE.
 HOUSING: THERMO PLASTIC (UL94V-0)
 SHELL: COPPER ALLOY
 UNDER ALL SURFACE NICKEL
 TOP ALL SURFACE TIN
- PACKAGING SPEC GS-14-2538



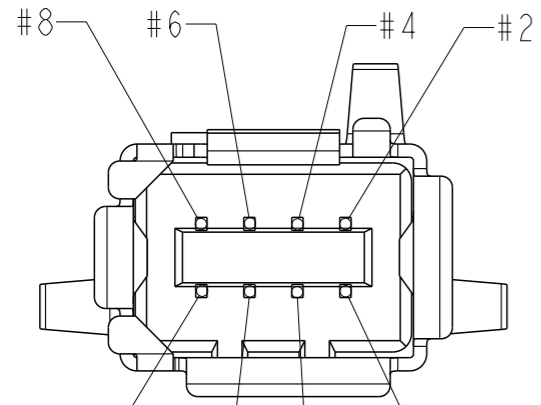
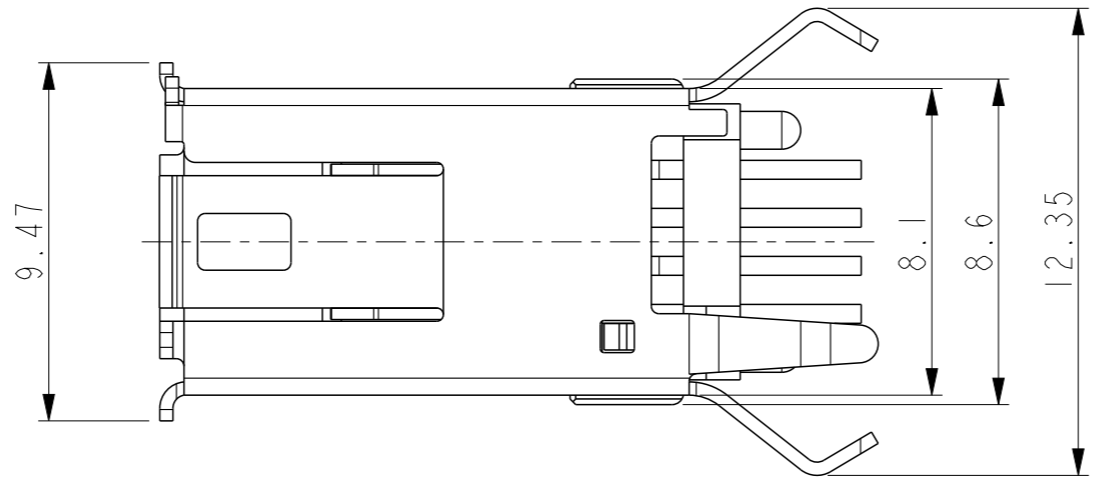
RECOMMENDED BOARD DIMENSION
 t=1.6
 GENERAL TOL. : ±0.1

| | | | | | | | | | | | |
|---------------------------------------|---------------------|-------|-------------|---------------------|----------------------------------|------------------------|--------------|---------------|-------|-----|---|
| spec ref | GS-12-1346 | dr | A P Sawanth | 2016/09/07 | projection | mm | size | A3 | scale | 5:1 | |
| tolerance std | ISO 406 ISO 1101 | eng | Mike Zhou | 2017/11/13 | | | ecn no | ELX-N-28452-1 | | | |
| TOLERANCES UNLESS OTHERWISE SPECIFIED | | chr | - | - | | | rel level | Released | | | |
| surface | linear | 0.X | ±0.3 | Amphenol FCI | product family | - | dwg no | 10137849 | | rev | B |
| | | 0.XX | ±- | | THR VERTICAL MINI I/O RECEPTACLE | | | | | | |
| | | 0.XXX | ±- | | 1.27mm PITCH | | | | | | |
| ISO 1302 | angular | 0° | ±5° | cat. no. | - | Product - Customer Drw | sheet 1 of 2 | | | | |

| PART NUMBER | DESCRIPTION | POS |
|-----------------|------------------------|-----|
| 10137849-0010LF | TYPE I PIP RECEPTACLE | 8 |
| 10137849-0020LF | TYPE II PIP RECEPTACLE | 8 |

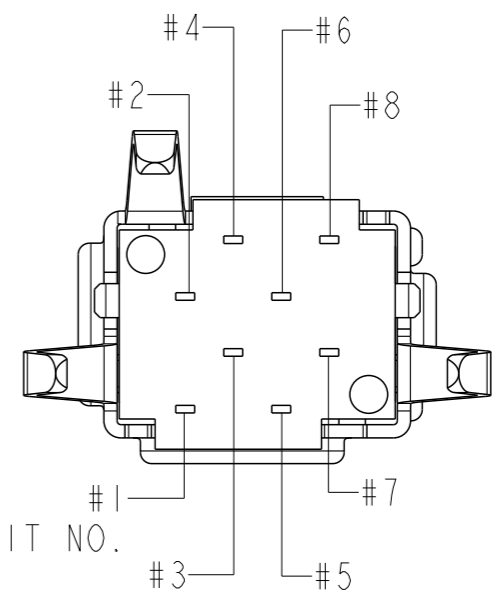
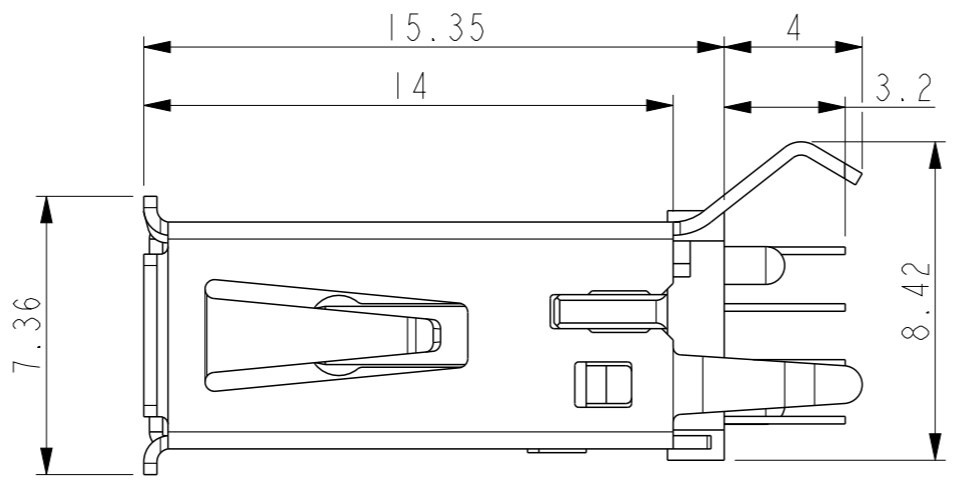


10137849-0020LF
TYPE II

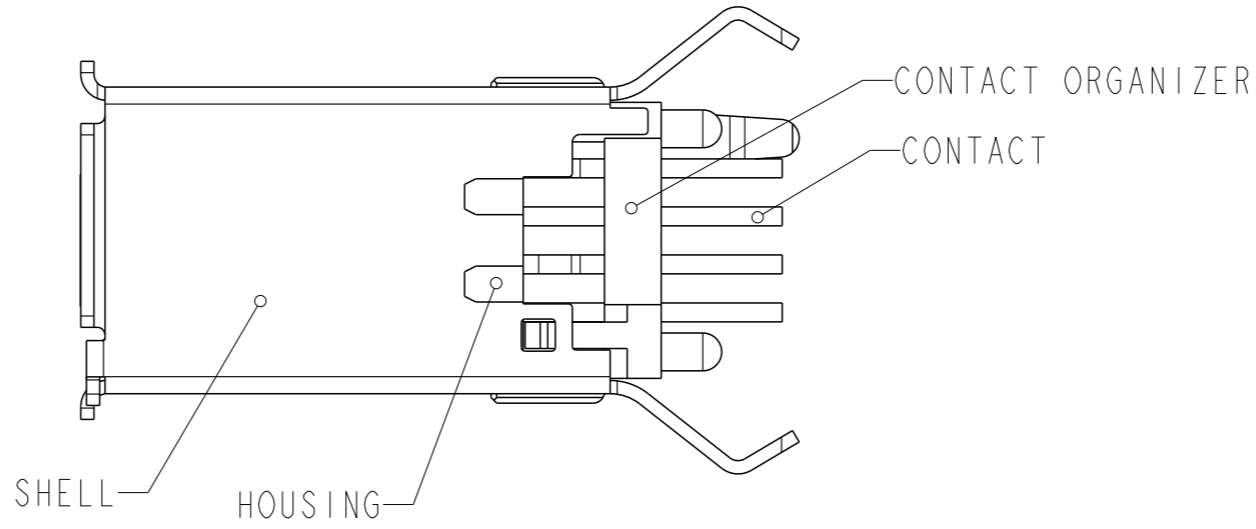


10137849-0010LF
TYPE I

CIRCUIT NO.



CIRCUIT NO.



| | | | | |
|---------------|---------------------------------------|-------|-------------|------------|
| spec ref | GS-12-1346 | dr | A P Sawanth | 2016/09/07 |
| tolerance std | ISO 406 ISO 1101 | eng | Mike Zhou | 2017/11/13 |
| | TOLERANCES UNLESS OTHERWISE SPECIFIED | chr | - | - |
| | | appr | Tim Yao | 2017/11/13 |
| surface | linear | 0.X | ±0.3 | |
| | | 0.XX | ±- | |
| | | 0.XXX | ±- | |
| | angular | 0° | ±5° | |

| | | | | | |
|----------------|----------------------------------|------------------------|---------------|-----------|----------|
| projection | mm | size | A3 | scale | 5:1 |
| product family | | ecn no | ELX-N-28452-1 | rel level | Released |
| Amphenol FCI | THR VERTICAL MINI I/O RECEPTACLE | cat. no. | 10137849 | rev | B |
| | 1.27mm PITCH | Product - Customer Drw | sheet 2 of 2 | | |

Amphenol FCI

© 2016 AFCI