



Chipsmall Limited consists of a professional team with an average of over 10 year of expertise in the distribution of electronic components. Based in Hongkong, we have already established firm and mutual-benefit business relationships with customers from,Europe,America and south Asia,supplying obsolete and hard-to-find components to meet their specific needs.

With the principle of “Quality Parts,Customers Priority,Honest Operation,and Considerate Service”,our business mainly focus on the distribution of electronic components. Line cards we deal with include Microchip,ALPS,ROHM,Xilinx,Pulse,ON,Everlight and Freescale. Main products comprise IC,Modules,Potentiometer,IC Socket,Relay,Connector.Our parts cover such applications as commercial,industrial, and automotives areas.

We are looking forward to setting up business relationship with you and hope to provide you with the best service and solution. Let us make a better world for our industry!



Contact us

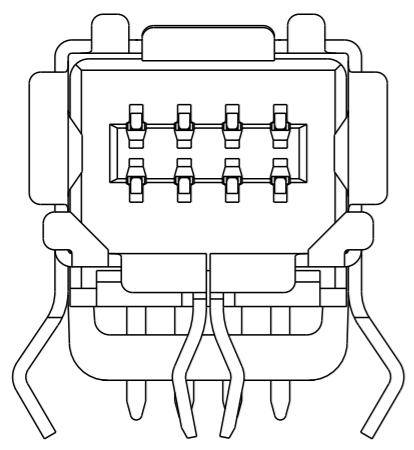
Tel: +86-755-8981 8866 Fax: +86-755-8427 6832

Email & Skype: info@chipsmall.com Web: www.chipsmall.com

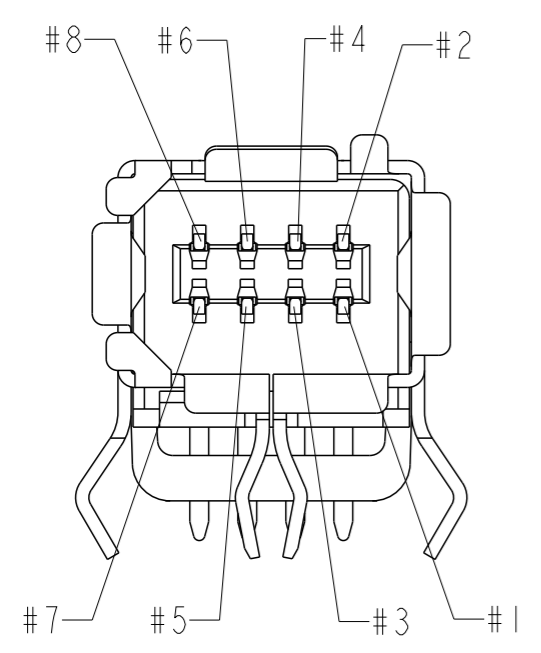
Address: A1208, Overseas Decoration Building, #122 Zhenhua RD., Futian, Shenzhen, China



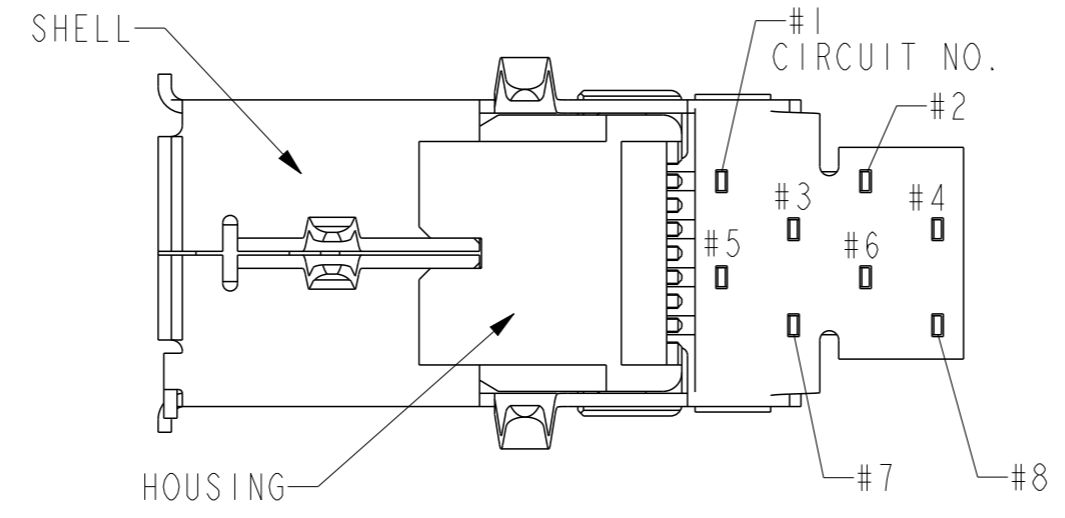
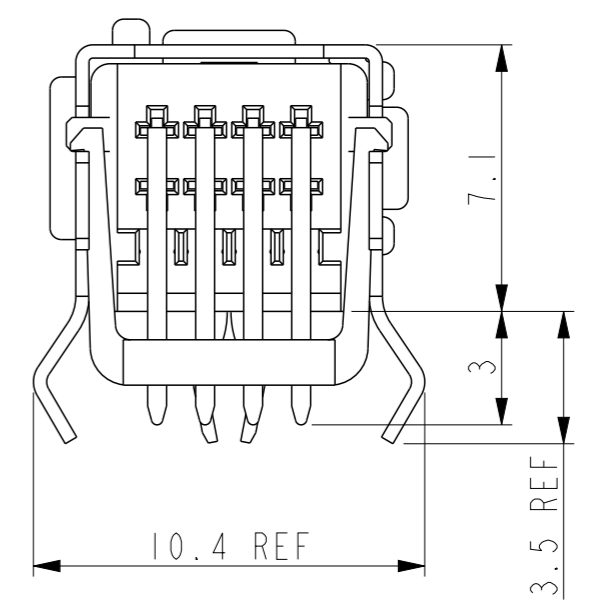
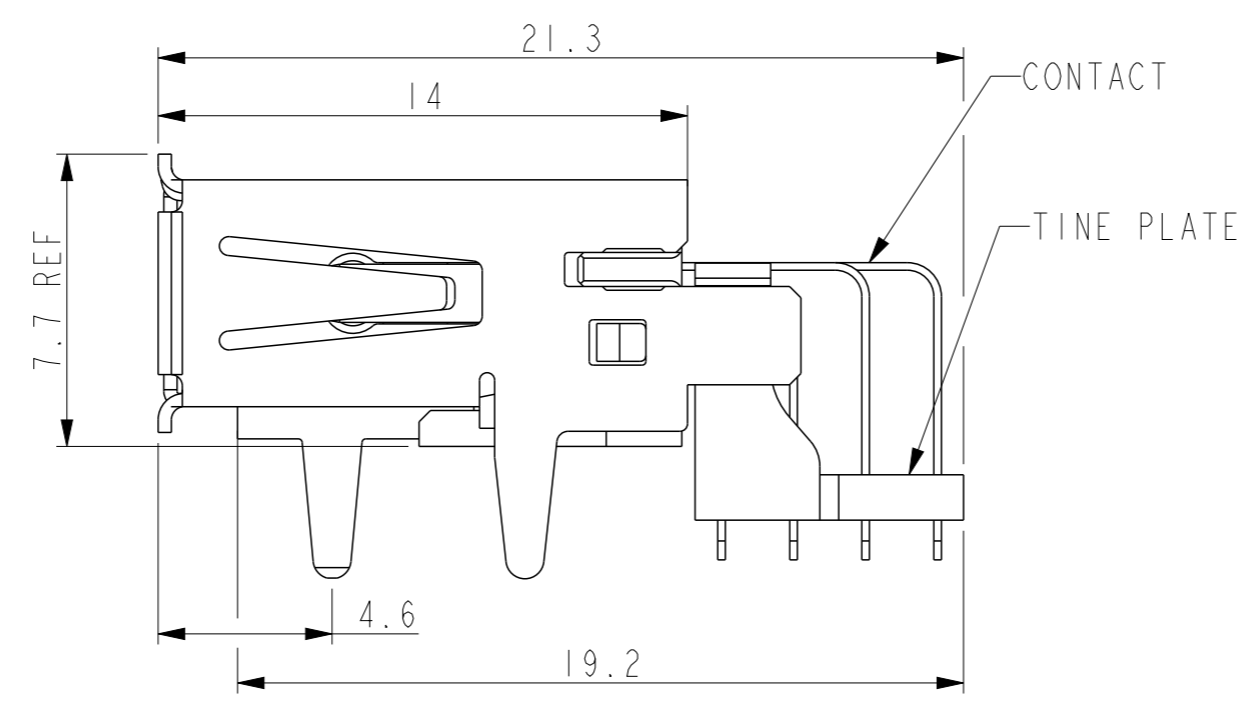
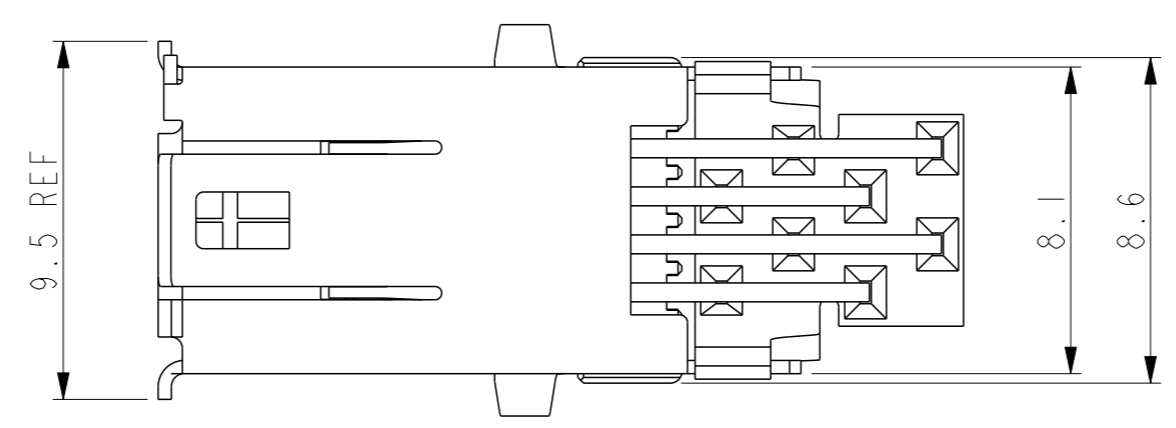
PART NUMBER	DESCRIPTION	POS
10137850-0010LF	D-SHAPE TYPE I PIP	8
10137850-0020LF	D-SHAPE TYPE II PIP	8



10137850-0020LF



CIRCUIT NO.
10137850-0010LF



PRODUCT NUMBERING:
10137850 - 0 0 X 0 LF
LEAD FREE
1: TYPE I
2: TYPE II

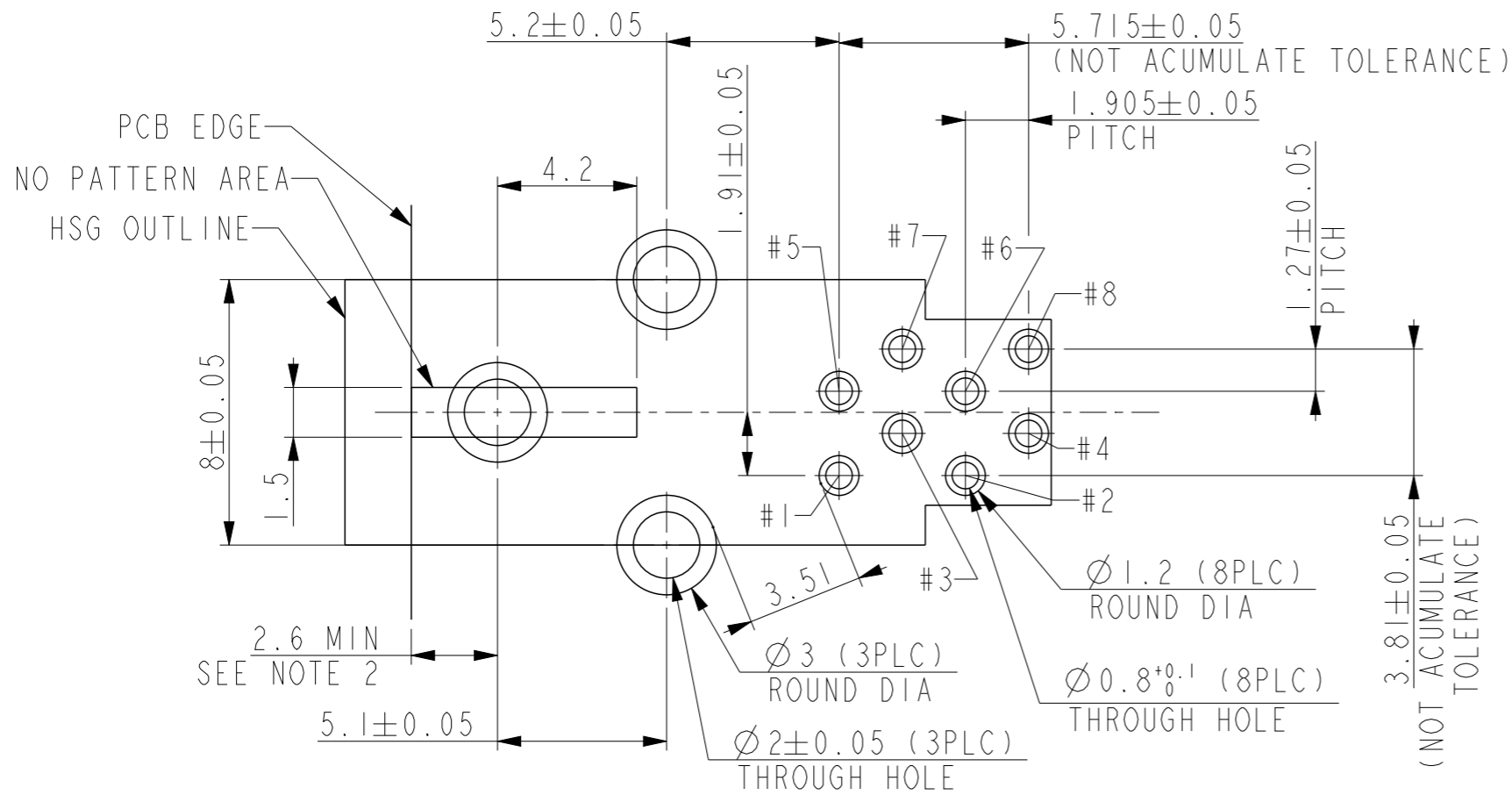
Amphenol
FCi

© 2016 AFCI

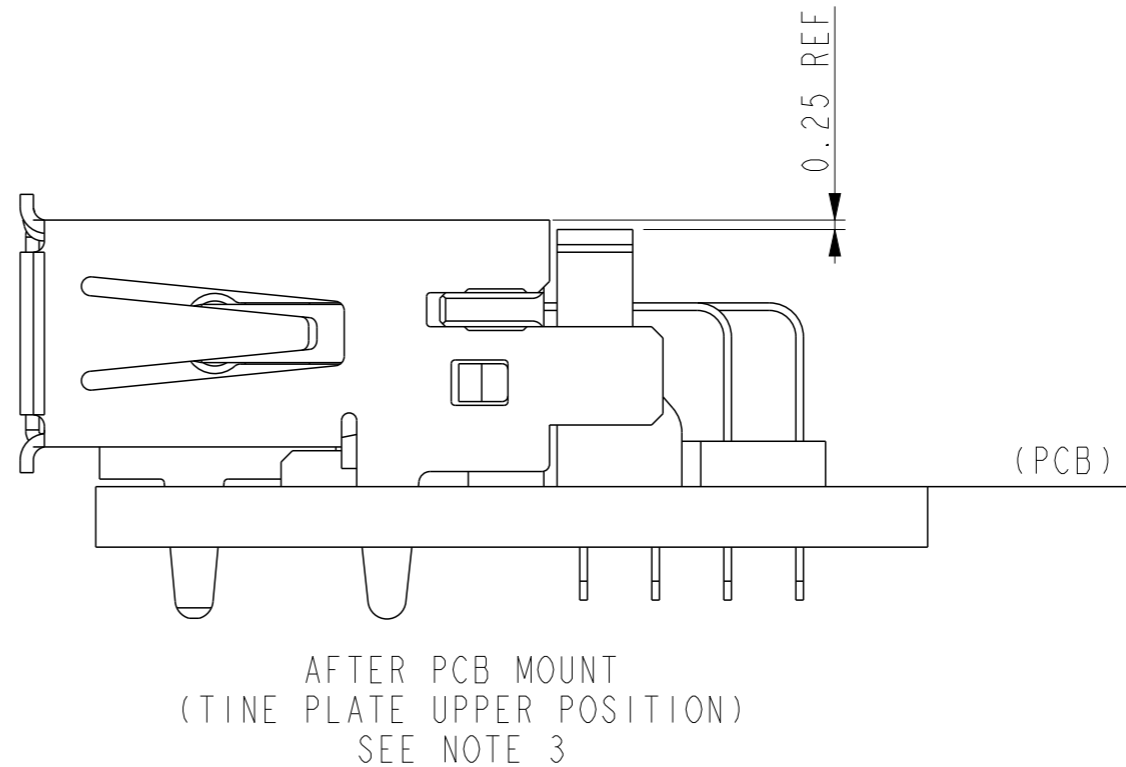
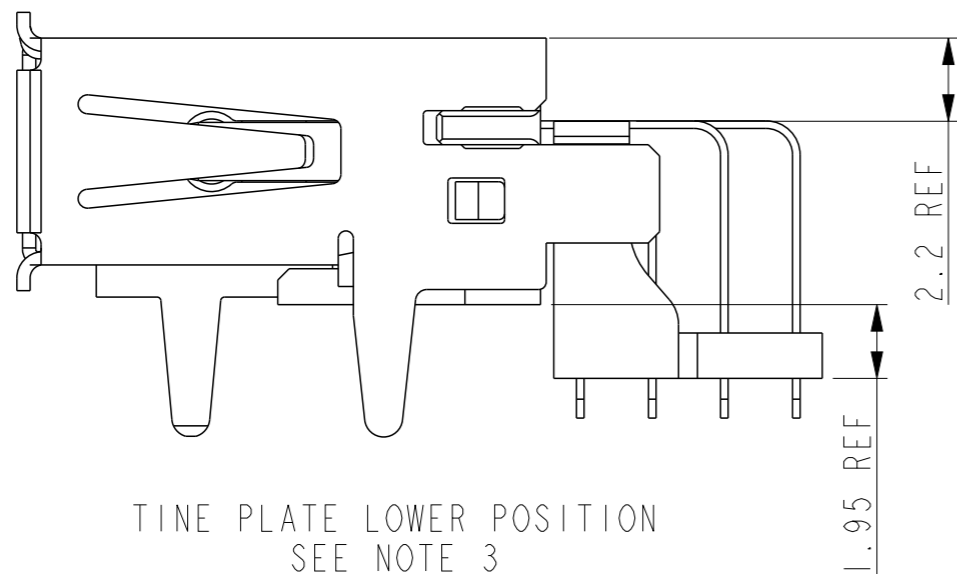
spec ref	GS-12-1345	dr	A P Sawanth	2016/07/13	projection	mm	size	A3	scale	5:1
tolerance std	ISO 406 ISO 1101	eng	Johann Juillet	2016/09/08			ecn no	ELX-F-24924-1		
TOLERANCES UNLESS OTHERWISE SPECIFIED		chr	Johann Juillet	2016/09/09			rel level	Released		
surface	linear	0.X	±0.3	Amphenol FCi	product family	INDUSTRIAL MINI I/O CONN		dwg no 10137850	rev B	
		0.XX	±-		cat. no.	Product - Customer Drw				sheet 1 of 2
	angular	0°	±5°		1.27mm PITCH					

NOTES:

- 1. MATERIAL AND FINISH
CONTACT: COPPER ALLOY
UNDER ALL SURFACE NICKEL 1.27µm MIN.
TOP CONTACT AREA : GOLD 0.5µm MIN
SOLDERING AREA : TIN PLATE.
HOUSING: THERMO PLASTIC (UL94V-0)
SHELL: COPPER ALLOY
UNDER ALL SURFACE NICKEL
TOP ALL SURFACE TIN
- 2. DIMENSION DECIDED BY CUSTOMER.
- 3. TINE PLATE CAN MOVE UP AND DOWN.
- 4. PACKAGING SPEC : GS-14-2538



RECOMMENDED BOARD DIMENSION (CONNECTOR SIDE) ±1.6



Amphenol FCI

© 2016 AFCI

spec ref	GS-12-1345	dr	A P Sawanth	2016/07/13	projection	mm	size	A3	scale	5:1
tolerance std	ISO 406 ISO 1101	eng	Johann Juillet	2016/09/08			ecn no	ELX-F-24924-1		
TOLERANCES UNLESS OTHERWISE SPECIFIED		chr	Johann Juillet	2016/09/09			rel level	Released		
surface	linear	0.X	±0.3	Amphenol FCI	product family	INDUSTRIAL MINI I/O CONN		dwg no	10137850	
		0.XX	±-		cat. no.	Product - Customer Drw		rev	B	
	angular	0°	±5°		1.27mm PITCH		sheet 2 of 2			