



Chipsmall Limited consists of a professional team with an average of over 10 year of expertise in the distribution of electronic components. Based in Hongkong, we have already established firm and mutual-benefit business relationships with customers from,Europe,America and south Asia,supplying obsolete and hard-to-find components to meet their specific needs.

With the principle of "Quality Parts,Customers Priority,Honest Operation,and Considerate Service",our business mainly focus on the distribution of electronic components. Line cards we deal with include Microchip,ALPS,ROHM,Xilinx,Pulse,ON,Everlight and Freescale. Main products comprise IC,Modules,Potentiometer,IC Socket,Relay,Connector.Our parts cover such applications as commercial,industrial, and automotives areas.

We are looking forward to setting up business relationship with you and hope to provide you with the best service and solution. Let us make a better world for our industry!



Contact us

Tel: +86-755-8981 8866 Fax: +86-755-8427 6832

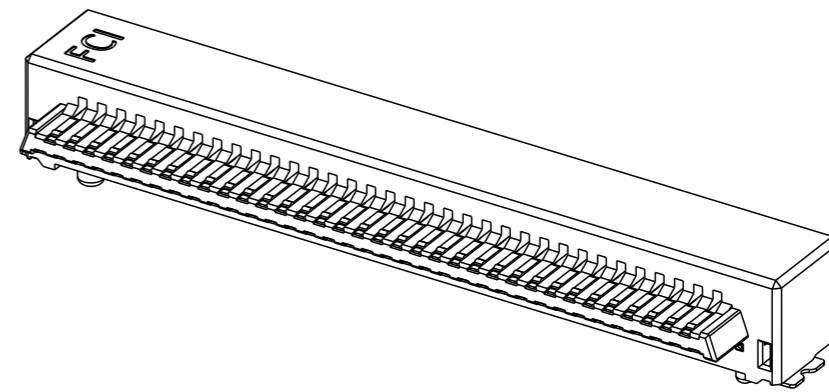
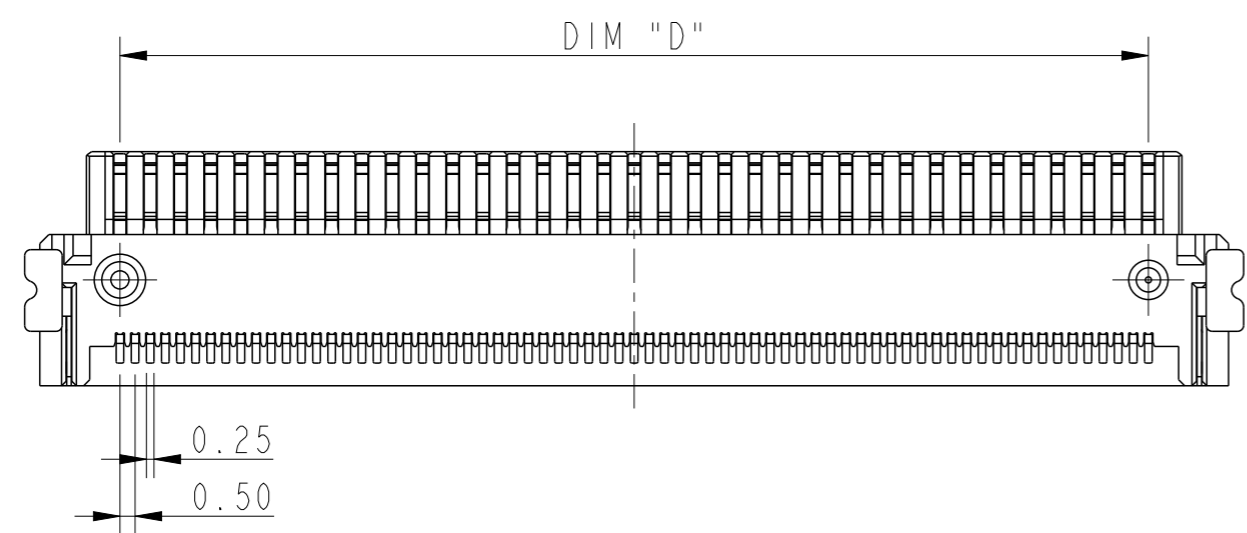
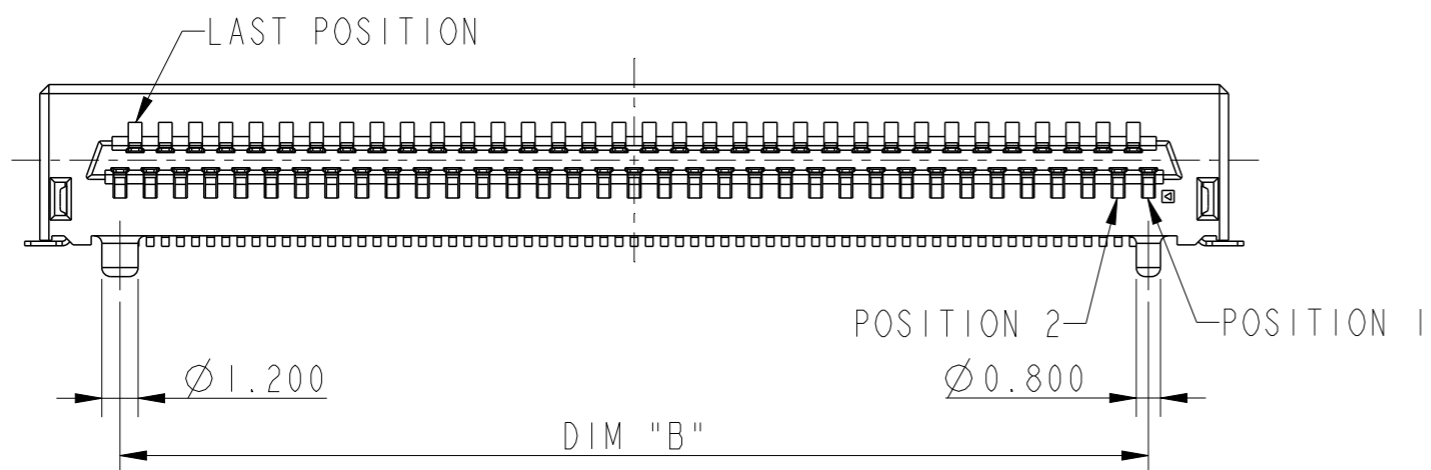
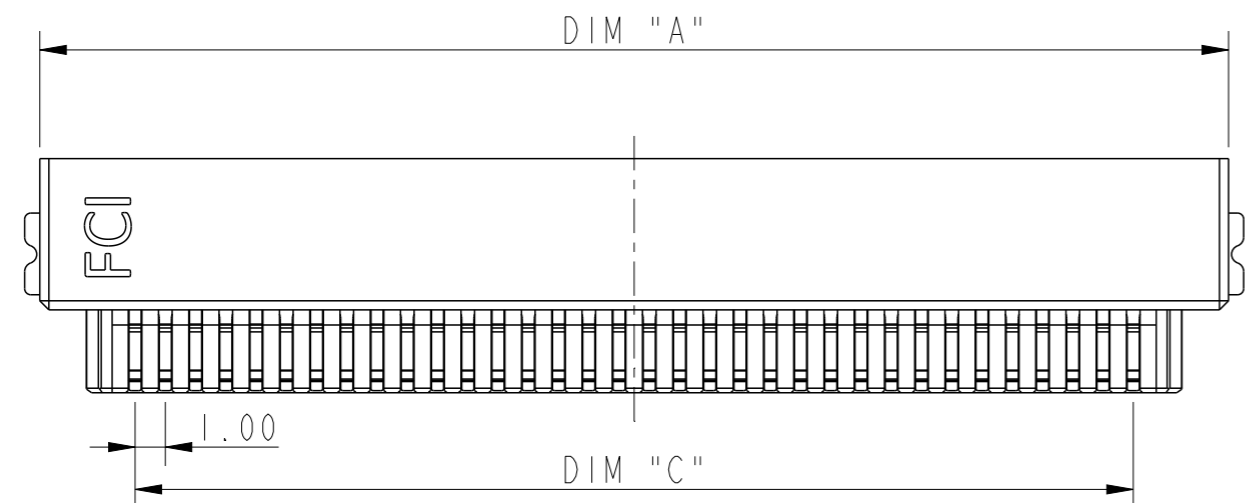
Email & Skype: info@chipsmall.com Web: www.chipsmall.com

Address: A1208, Overseas Decoration Building, #122 Zhenhua RD., Futian, Shenzhen, China

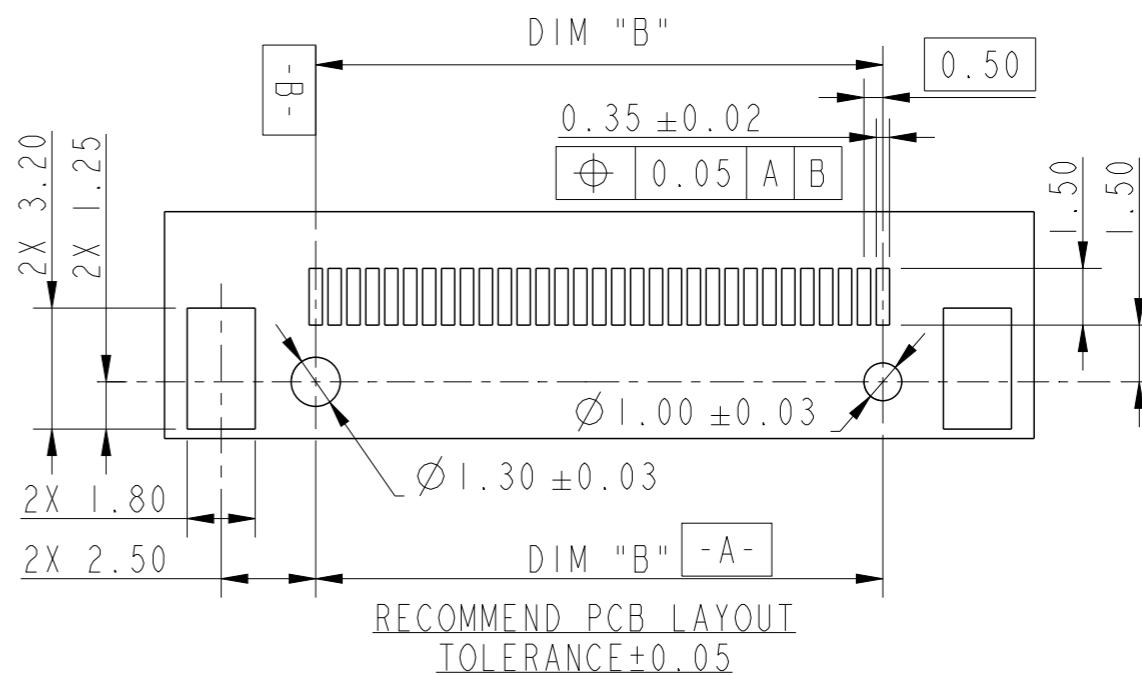
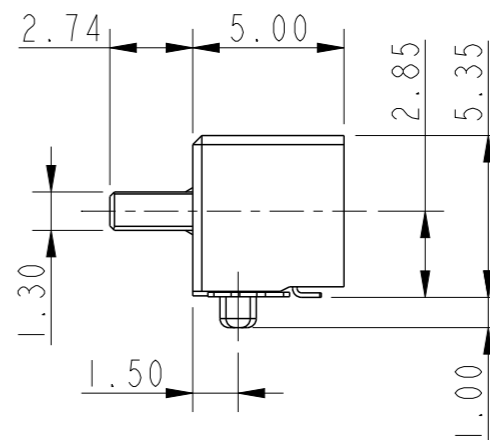


PART NUMBER

10138400-1111XXLF



SCALE 3:1



spec ref	dr	2016/07/14	projection	mm	size	A3	scale	4:1	
tolerance std	eng	2017/02/16		mm	ecn no	ELX-N-26076-1	rel level	Released	
TOLERANCES UNLESS OTHERWISE SPECIFIED		chr							product family
surface	linear	0.X	±0.30	Amphenol FCI	title	RIGHT ANGLE CONAN PLUG	dwg no	10138400	rev
		0.XX	±0.20						
		0.XXX	±0.10						
	angular	0°	±°	cat. no.	-	Product - Customer Drw	sheet 1 of 2		

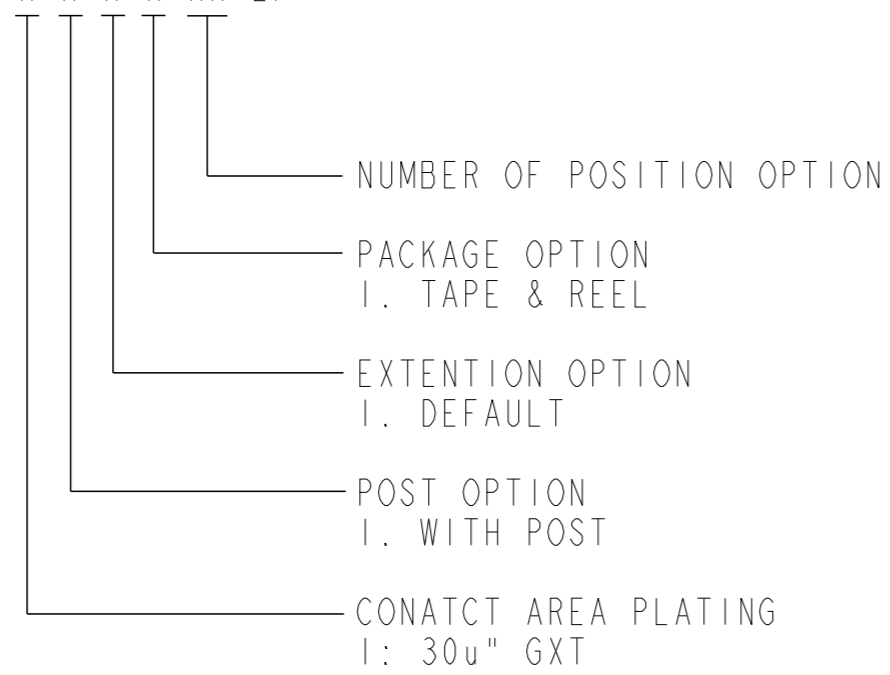
Amphenol FCI

© 2016 AFCI

PART NUMBER	PIN QTY.	DIM "A"	DIM "B"	DIM "C"	DIM "D"
10138400-111111LF	11	10.30	5.00	4.00	5.00
10138400-111131LF	31	20.30	15.00	14.00	15.00
10138400-111137LF	37	23.30	18.00	17.00	18.00
10138400-111141LF	41	25.30	20.00	19.00	20.00
10138400-111151LF	51	30.30	25.00	24.00	25.00
10138400-111169LF	69	39.30	34.00	33.00	34.00

PRODUCT NUMBER DESCRIPTION:

10138400- X X X X XX LF



NOTES:

- MATERIALS:
 - HOUSING - LCP, UL-94V-0. COLOR: NATURAL.
 - TERMINALS - COPPER ALLOY, PLATED WITH GOLD IN CONTACT AREA AND 100u" Sn ON SOLDER LEGS WITH AN OVERALL 50u" Ni UNDERPLATE.
 - RETENTION DEVICE - BRASS, PLATED WITH 100u" Sn OVER NICKEL.
- REFERENCE GS-12-1382 FOR PRODUCT PERFORMANCE DATA.
- RECOMMENDED SOLDER PASTE THICKNESS IS 0.15 TO 0.20 MM THICK.
- THE CO-PLANARITY GRAVITY PLANE. THIS MEASUREMENT IS NOT TO EXCEED 0.1MM.
- THE HOUSING WILL WITHSTAND EXPOSURE TO 260°C PEAK TEMPERATURE FOR 30 SECONDS IN A CONVECTION INFRA RED OR VAPOR PHASE REFLOW OVEN. SEE APPLICATION/PROCEDURES IF THEY ARE AVAILABLE
- PRODUCT WITH "LF" AT THE END MEETS EUROPEAN UNION DIRECTIVES AND OTHER COUNTRY REGULATION AS DESCRIBED IN GS-22-008.

Amphenol FCI

© 2016 AFCI

spec ref	dr			Tony Leng	2016/07/14	projection	mm	size	A3	scale	2:1		
tolerance std	TOLERANCES UNLESS OTHERWISE SPECIFIED			eng	Tony Leng	2017/02/16		ecn no	ELX-N-26076-1				
surface	linear	0.X	±0.30	chr	-	-			product family	rel level	Released		
		0.XX	±0.20	appr	Michael Zhou	2017/06/06					RIGHT ANGLE CONAN PLUG	dwg no	10138400
	angular	0°	±°	cat. no.			-	Product - Customer Drw		sheet 2 of 2			