



Chipsmall Limited consists of a professional team with an average of over 10 year of expertise in the distribution of electronic components. Based in Hongkong, we have already established firm and mutual-benefit business relationships with customers from,Europe,America and south Asia,supplying obsolete and hard-to-find components to meet their specific needs.

With the principle of "Quality Parts,Customers Priority,Honest Operation,and Considerate Service",our business mainly focus on the distribution of electronic components. Line cards we deal with include Microchip,ALPS,ROHM,Xilinx,Pulse,ON,Everlight and Freescale. Main products comprise IC,Modules,Potentiometer,IC Socket,Relay,Connector.Our parts cover such applications as commercial,industrial, and automotives areas.

We are looking forward to setting up business relationship with you and hope to provide you with the best service and solution. Let us make a better world for our industry!



## Contact us

Tel: +86-755-8981 8866 Fax: +86-755-8427 6832

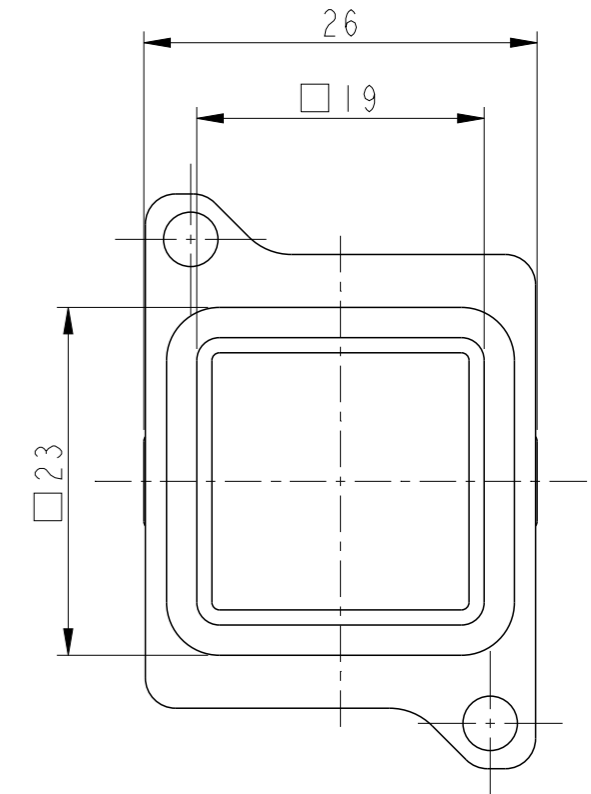
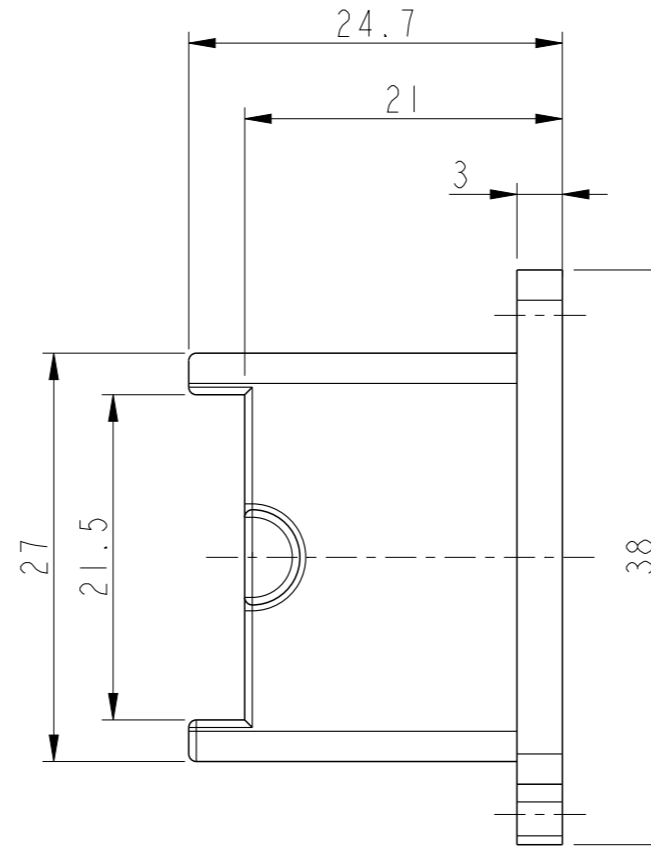
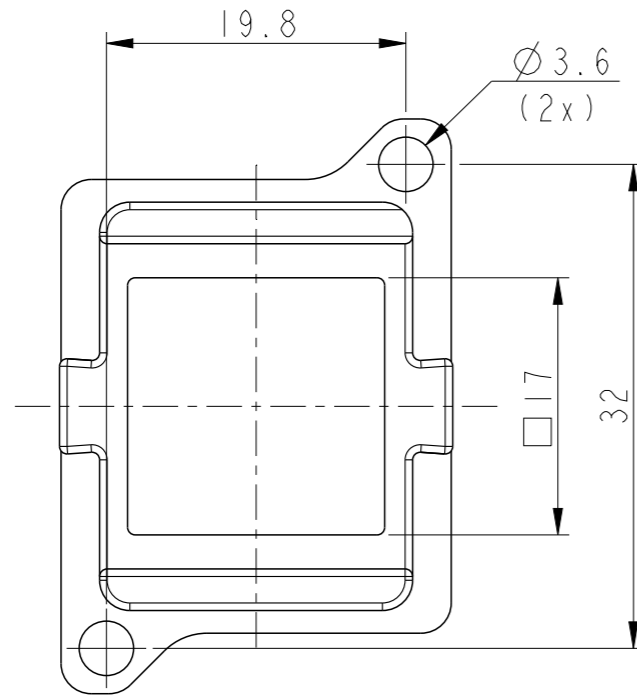
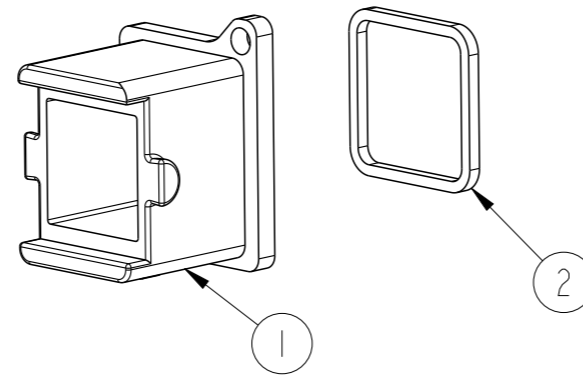
Email & Skype: info@chipsmall.com Web: www.chipsmall.com

Address: A1208, Overseas Decoration Building, #122 Zhenhua RD., Futian, Shenzhen, China

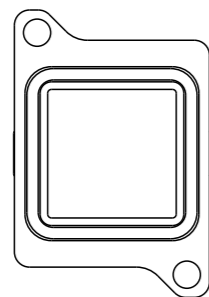


PART NUMBER  
10138462-101LF

| SL NO. | DESCRIPTION               | MATERIAL  | PLATING     |
|--------|---------------------------|-----------|-------------|
| 1      | SCREWABLE RECEPTACLE BODY | ALUMINIUM | PASSIVATION |
| 2      | PANEL SEALING GASKET      | SILICONE  | -           |



PACKING CONFIGURATION  
(ASSEMBLED FORM)



NOTES :-

- PART WILL BE SUPPLIED ONLY IN ASSEMBLED FORM
- SCREWS TO BE USED ARE M3 X 6MM; MATERIAL-STAINLESS STEEL
- CASTED MOUNTING PANEL SHOULD HAVE ON ITS REAR SIDE AN INTEGRAL RECTANGULAR REINFORCED RIBS OF 3MM THICKNESS AND 4MM WIDTH ALONG THE MOUNTING SCREW PLANE AT THE TOP AND BOTTOM TO ACCOMODATE THE BLIND INTERNAL SCREW THREAD

|                     |         |              |            |  |    |                |               |           |          |
|---------------------|---------|--------------|------------|--|----|----------------|---------------|-----------|----------|
| spec ref            | dr      | Jibin John   | 2016/11/08 | projection                               | MM | size           | A3            | scale     | 1:1      |
| tolerance std       | eng     | Jibin John   | 2016/12/19 |  |    | ecn no         | ELX-I-25689-1 | rel level | Released |
| ISO 406<br>ISO 1101 | chr     | -            | -          |  |    |                |               |           |          |
| surface             | appr    | Varna Sudhir | 2016/12/19 |  |    | rel level      | Released      | cat. no.  | -        |
| ISO 1302            | linear  | 0.X          | ±0.3       | <b>Amphenol FCI</b>                      |    | product family | OCTIS         | cat. no.  | -        |
|                     |         | 0.XX         | ±0.13      | <b>BULKHEAD (RECEPTACLE) - UNIVERSAL</b> |    | product family | OCTIS         | cat. no.  | -        |
|                     |         | 0.XXX        | ±0.05      | <b>OCTIS, 26MM PITCH</b>                 |    | product family | OCTIS         | cat. no.  | -        |
|                     | angular | 0°           | ±2°        | <b>Product - Customer Drw</b>            |    | product family | OCTIS         | cat. no.  | -        |
|                     |         |              |            | <b>Product - Customer Drw</b>            |    | product family | OCTIS         | cat. no.  | -        |