



Chipsmall Limited consists of a professional team with an average of over 10 year of expertise in the distribution of electronic components. Based in Hongkong, we have already established firm and mutual-benefit business relationships with customers from,Europe,America and south Asia,supplying obsolete and hard-to-find components to meet their specific needs.

With the principle of “Quality Parts,Customers Priority,Honest Operation,and Considerate Service”,our business mainly focus on the distribution of electronic components. Line cards we deal with include Microchip,ALPS,ROHM,Xilinx,Pulse,ON,Everlight and Freescale. Main products comprise IC,Modules,Potentiometer,IC Socket,Relay,Connector.Our parts cover such applications as commercial,industrial, and automotives areas.

We are looking forward to setting up business relationship with you and hope to provide you with the best service and solution. Let us make a better world for our industry!



## Contact us

Tel: +86-755-8981 8866 Fax: +86-755-8427 6832

Email & Skype: info@chipsmall.com Web: www.chipsmall.com

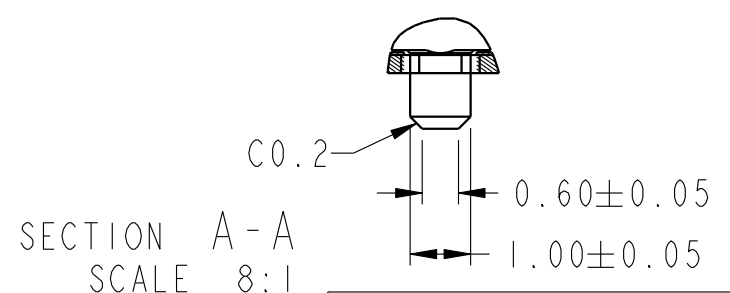
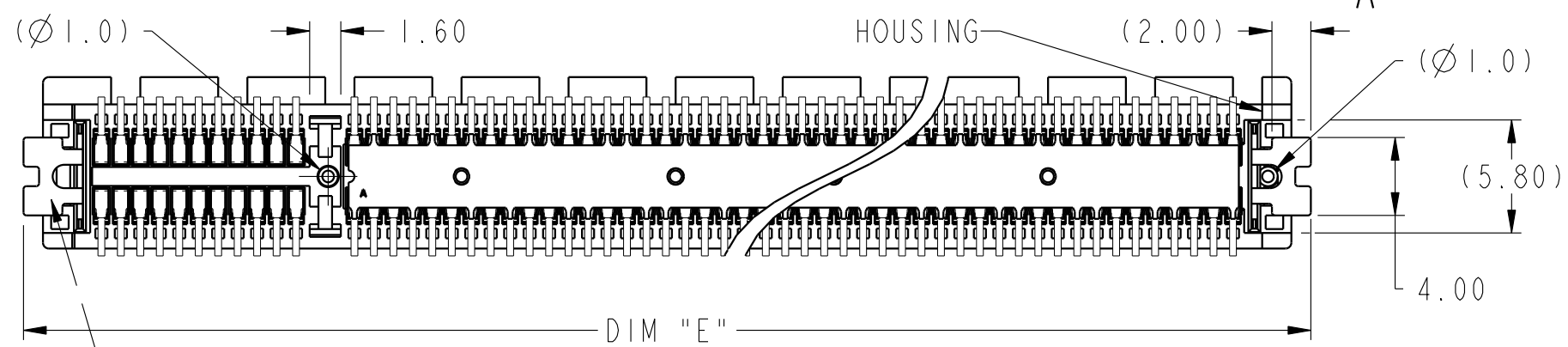
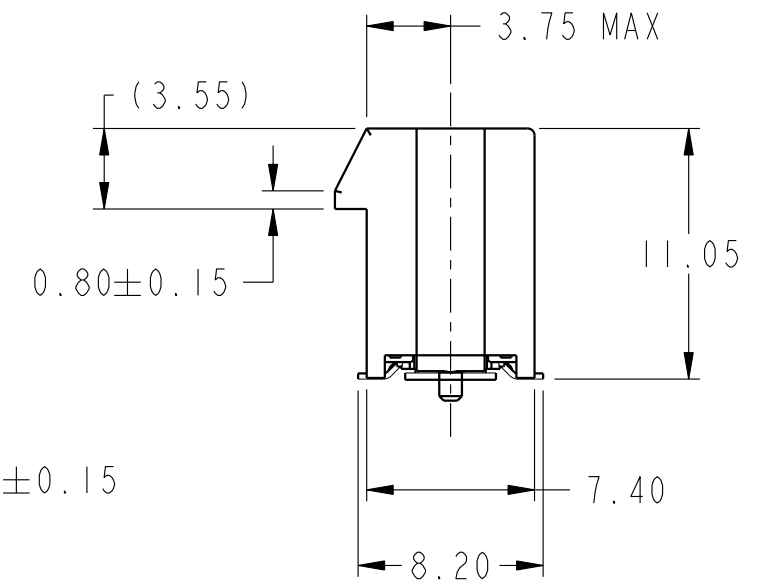
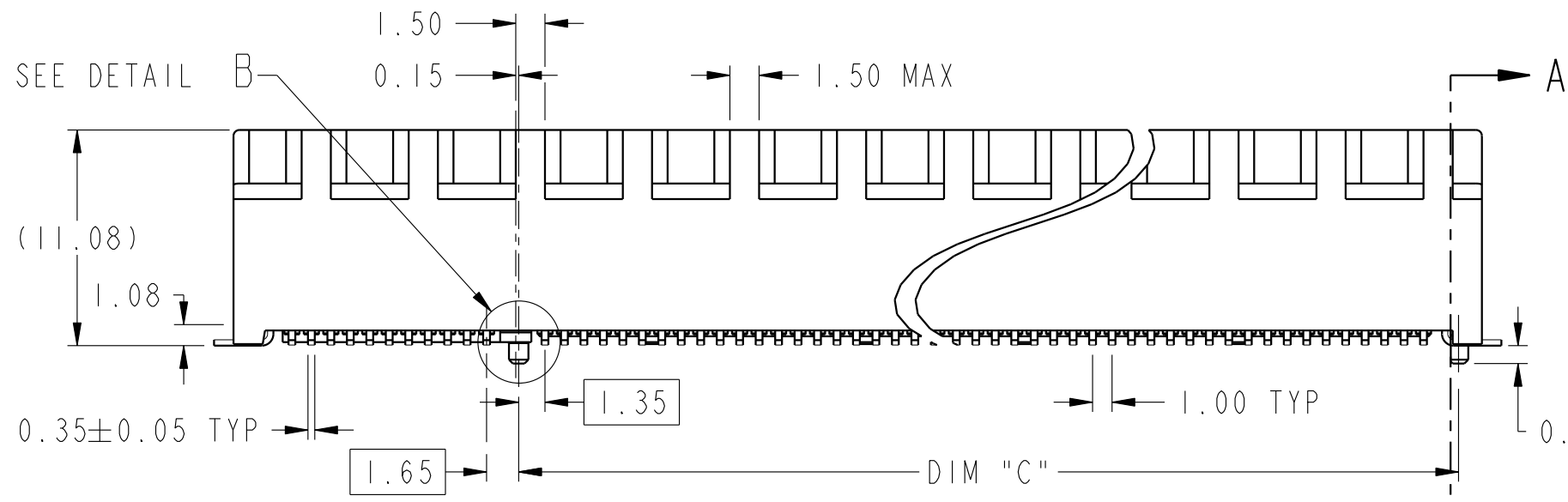
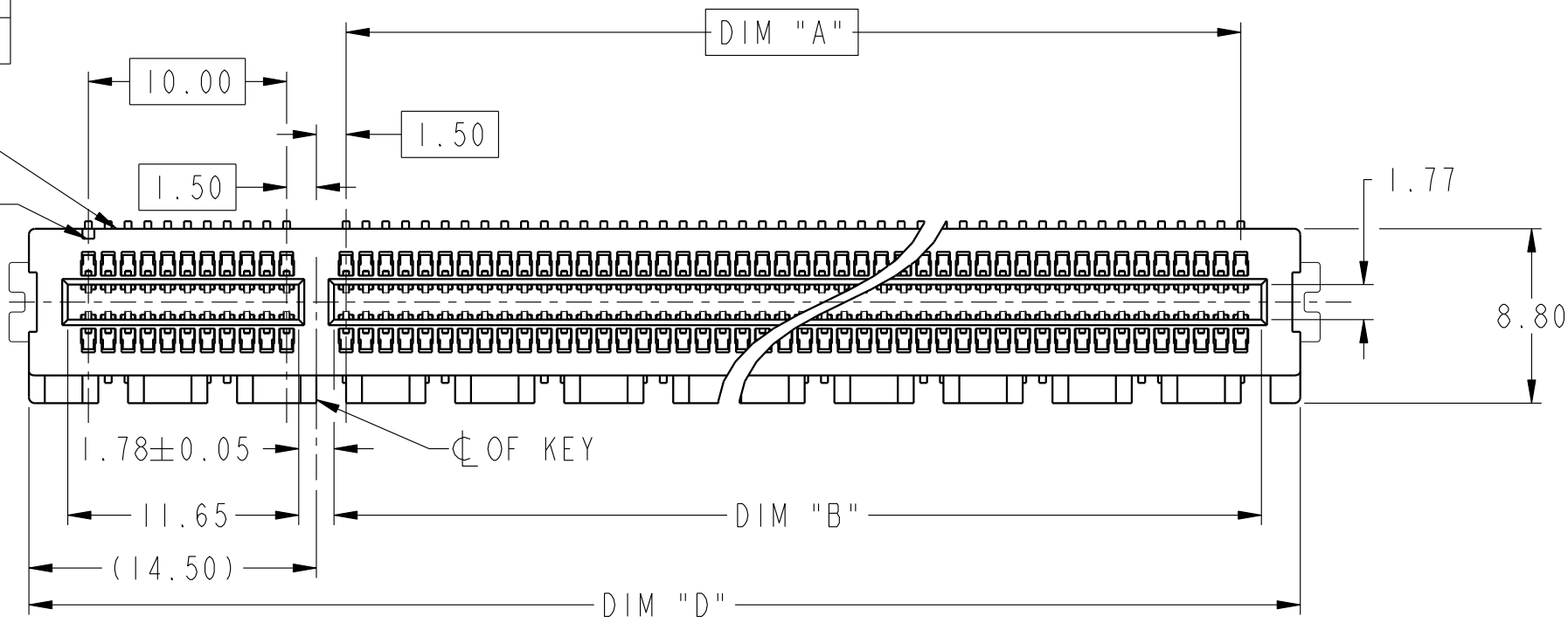
Address: A1208, Overseas Decoration Building, #122 Zhenhua RD., Futian, Shenzhen, China



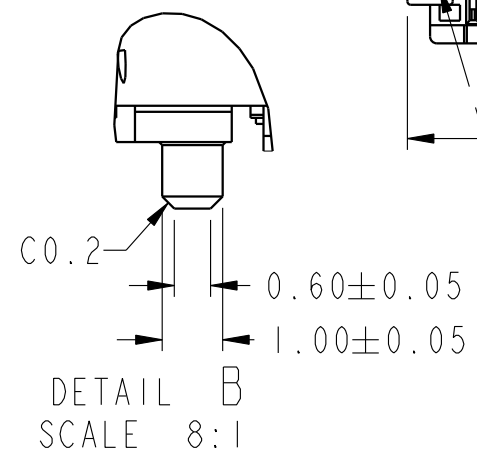
PRODUCT PARTNUMBER  
10141523-XXXX0LF

DATA CODE &  
PARTNO

#AI IDENTIFIER

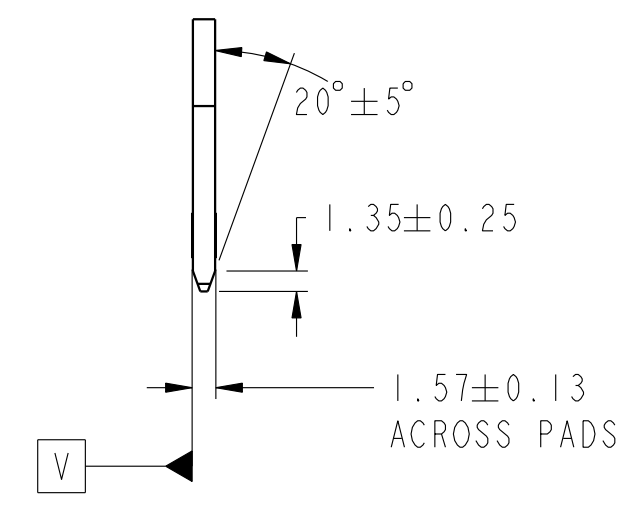
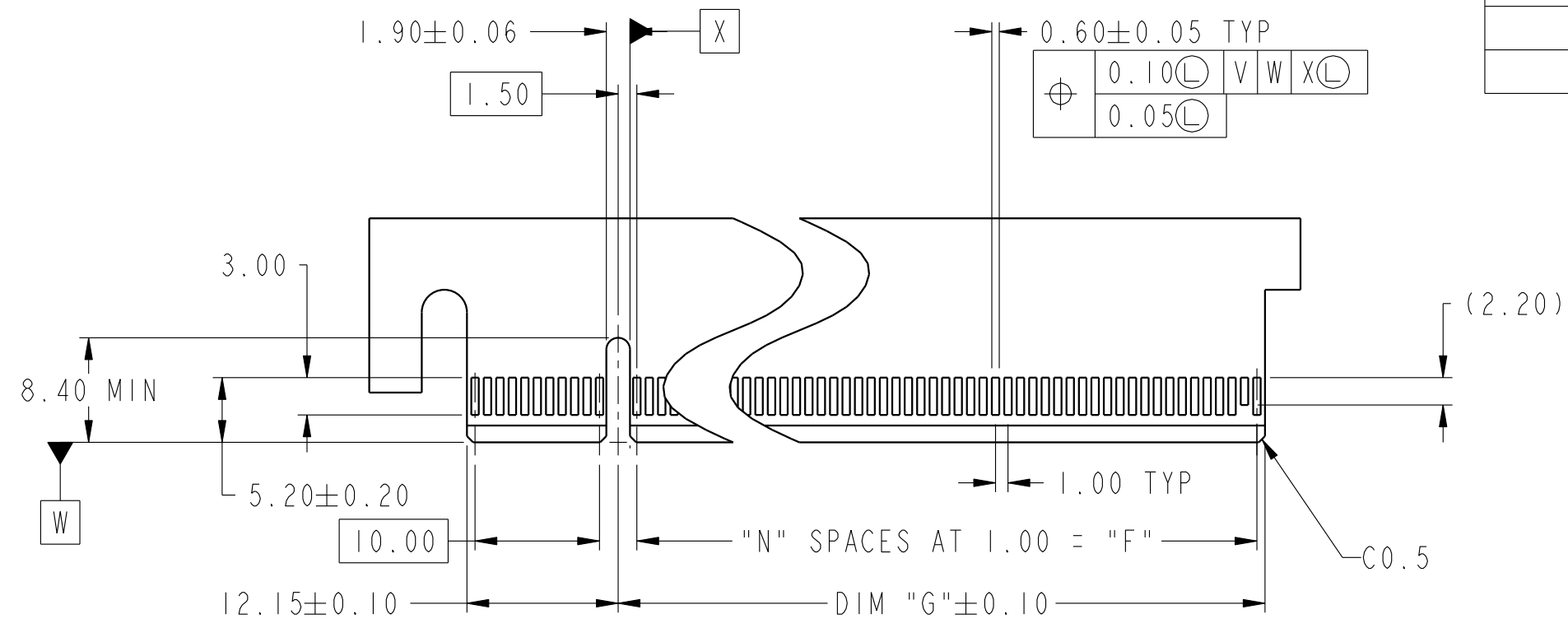


**PRELIMINARY**

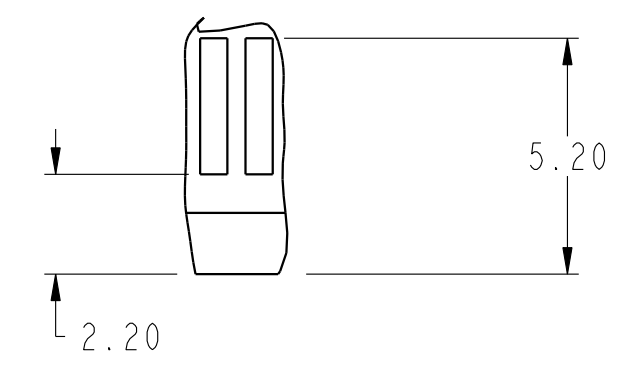
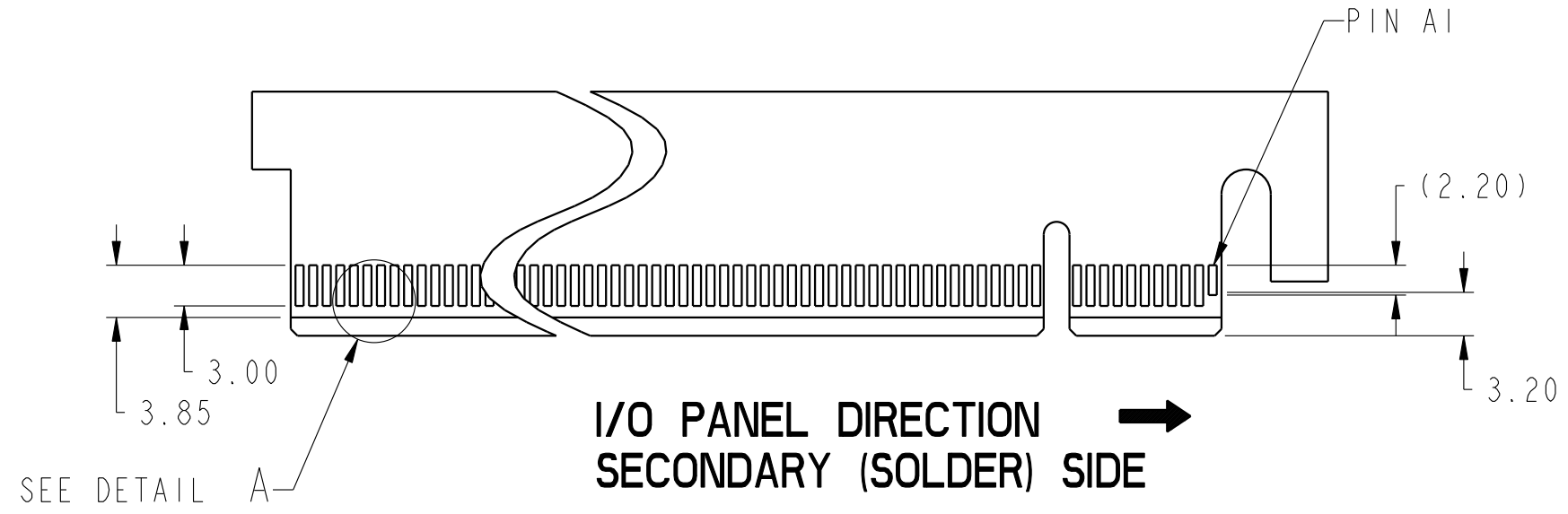


spec ref	-	dr	M. Cheong	2016-04-26	projection	MM	size	A3	scale	3:1											
tolerance std	ISO 406 ISO 1101	eng	M. Cheong	2017-11-22			ecn no	In Work													
surface	ISO 1302	chr		appr			product family	PCI express	rel level												
	<table border="1"> <tr> <td>linear</td> <td>0.X</td> <td>±0.30</td> </tr> <tr> <td></td> <td>0.XX</td> <td>±0.20</td> </tr> <tr> <td></td> <td>0.XXX</td> <td>±0.1</td> </tr> <tr> <td>angular</td> <td>0°</td> <td>±2°</td> </tr> </table>	linear	0.X	±0.30		0.XX	±0.20		0.XXX	±0.1	angular	0°	±2°	<b>Amphenol FCI</b> www.fci.com		PCI Express Gen 5 (32Gb/s) SMT Type	rev no 10141523	rev 8	Product - Customer Drw		
linear	0.X	±0.30																			
	0.XX	±0.20																			
	0.XXX	±0.1																			
angular	0°	±2°																			
sheet 1 of 4																					

CONNECTOR LINK WIDTH	POSITION	N	DIM "G"	DIM "F"	PIN "L"
X1	36	6	8.15	6.00	B17
X4	64	20	22.15	20.00	B31
X8	98	37	39.15	37.00	B48
X16	164	70	72.15	70.00	B81



← I/O PANEL DIRECTION  
PRIMARY (COMPONENT) SIDE

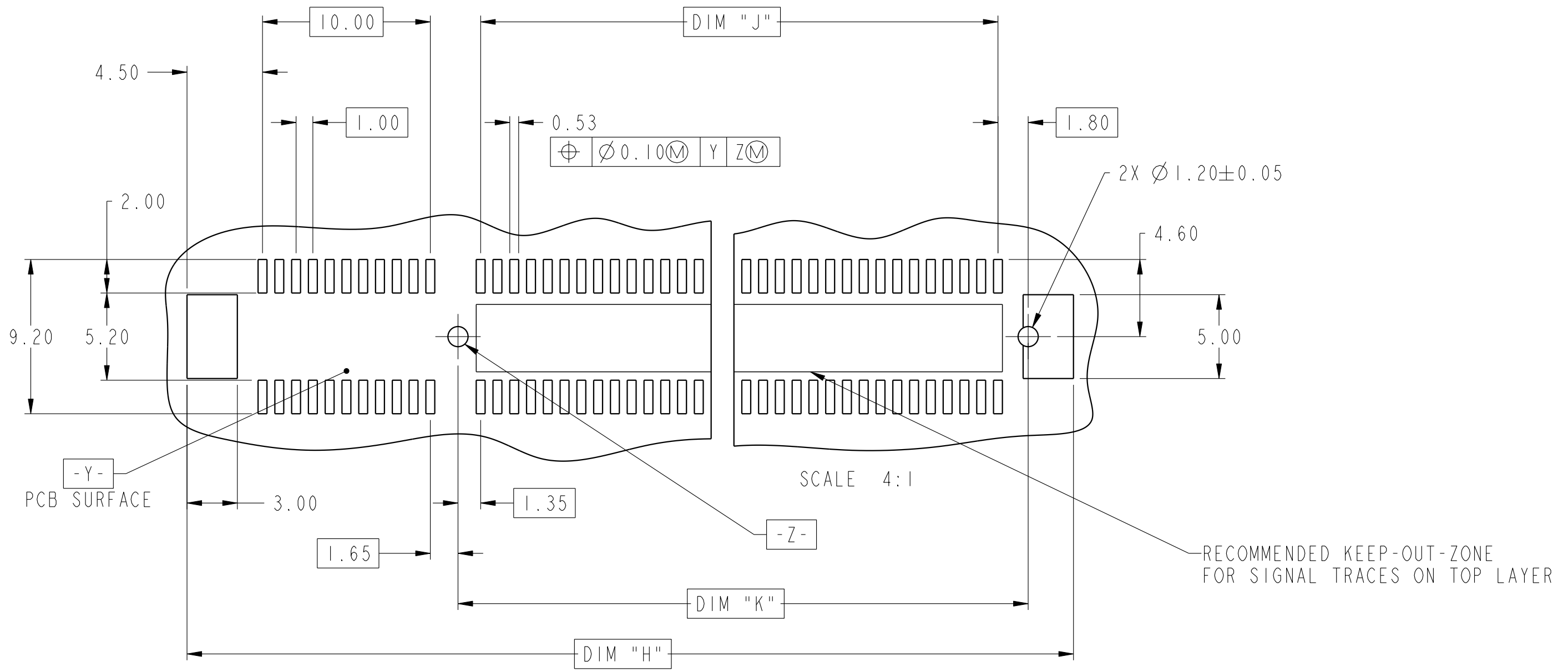


DETAIL A  
SCALE 6:1

**PRELIMINARY**

- NO TIE BAR PERMITTED FROM CARD EDGE TO LEADING EDGE OF PAD FOR PIN A1 AND PIN "L".
- CHAMFER EDGES MUST BE FREE OF CUTTING BURRS.
- TOLERANCE : ± 0.13
- CONTACT AFCI ENGINEERING FOR SI REPORT

spec ref	-	dr	M. Cheong	2016-04-26	projection	MM	size	A3	scale	2:1	
tolerance std	ISO 406 ISO 1101	eng	M. Cheong	2017-11-22			ecn no		rel level		
TOLERANCES UNLESS OTHERWISE SPECIFIED		chr		product family			PCI express	In Work			
surface	linear	0.X	±0.30	<b>Amphenol FCI</b> www.fci.com	PCI Express Gen 5 (32Gb/s)		dwg no 10141523	rev		8	
		0.XX	±0.20		SMT Type						
	angular	0°	±2°		cat. no.			Product - Customer Drw		sheet 2 of 4	



DIMENSIONS								
POSITION	A	B $\begin{smallmatrix} +0.15 \\ -0.05 \end{smallmatrix}$	C $\pm 0.10$	D $\pm 0.23$	E $\pm 0.20$	H $\pm 0.10$	J	K $\pm 0.10$
36	6.00	7.65	9.15	25.00	27.00	28.00	6.00	9.15
64	20.00	21.65	23.15	39.00	41.00	42.00	20.00	23.15
98	37.00	38.65	40.15	56.00	58.00	59.00	37.00	40.15
164	70.00	71.65	73.15	89.00	91.00	92.00	70.00	73.15

**PRELIMINARY**

spec ref	-	dr	M. Cheong	2016-04-26	projection	MM	size	A3	scale	4:1
tolerance std	ISO 406 ISO 1101	eng	M. Cheong	2017-11-22	chr		ecn no			
surface	-	appr			product family	PCI express	rel level	In Work		
	linear				Amphenol FCI	PCI Express Gen 5 (32Gb/s)	dwg no	10141523	rev	8
	angular				www.fci.com	SMT Type				
					cat. no.	-	Product - Customer Drw		sheet 3 of 4	

**PRODUCT NUMBER CODE**

10141523- □□□□ 0LF

**HOUSING COLOR**

0: WHITE  
1: BLACK

**CONTACT AREA PLATING**

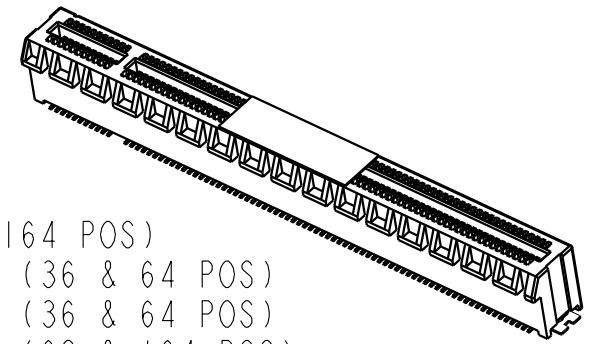
1: 30u" Au  
2: 15u" Au

**PACKAGING OPTIONS**

A: HARD TRAY (DIM: 323 x 136 x 19) WITH KAPTON TAPE (164 POS)  
C: SOFT TRAY (DIM: 317.5 x 235 x 18) WITH PICK UP CAP (36 & 64 POS)  
T: SOFT TRAY (DIM: 317.5 x 235 x 18) WITH KAPTON TAPE (36 & 64 POS)  
X: HARD TRAY (DIM: 330 x 235 x 19.3) WITH PICK UP CAP (98 & 164 POS)  
Y: HARD TRAY (DIM: 330 x 235 x 19.3 WITH KAPTON TAPE (98 & 164 POS)  
Z: HARD TRAY (DIM: 330 x 235 x 19.3 WITH KAPTON TAPE, 86MM (164 POS)

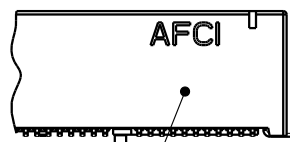
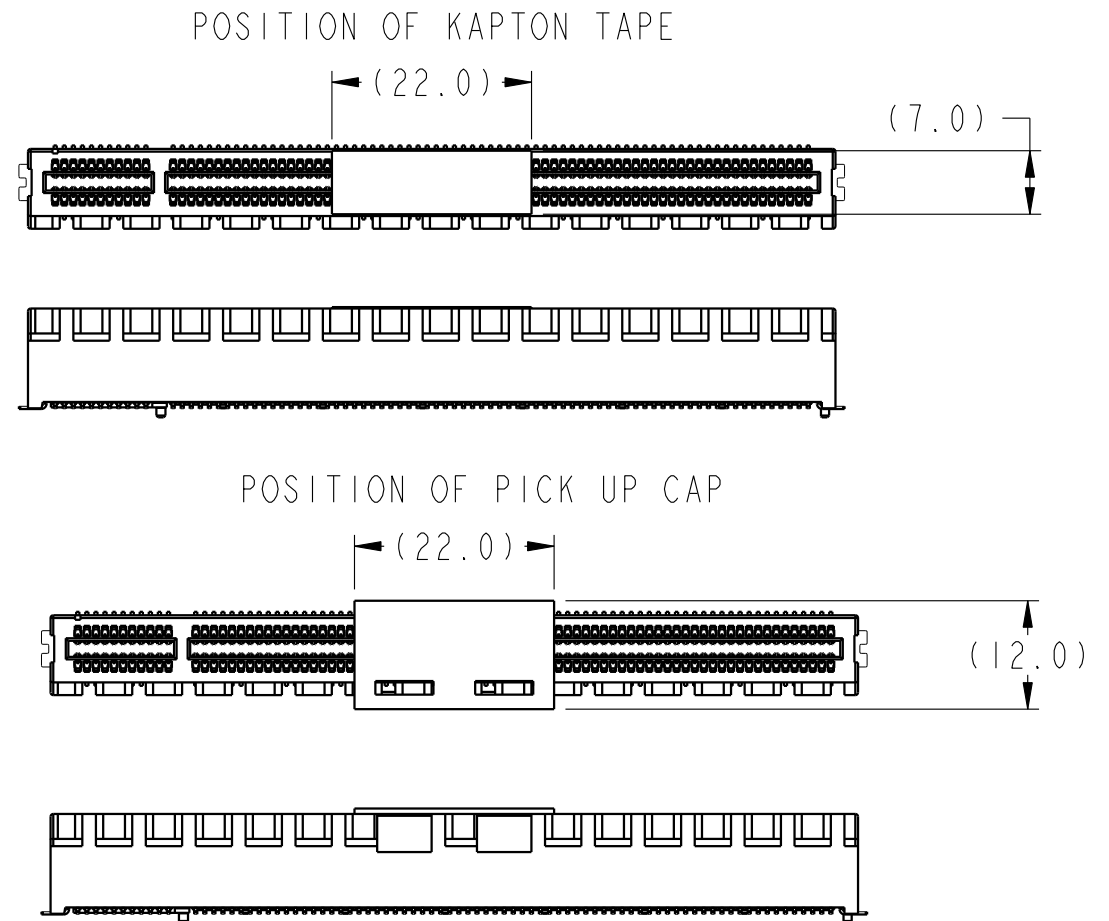
**NO. OF POSITION**

0: 36 POSITIONS  
1: 64 POSITIONS  
2: 98 POSITIONS  
3: 164 POSITIONS



**NOTES:**

- MATERIAL:**  
HOUSING: HIGH PERFORMANCE RESINS, GLASS FILLED, UL94V-0  
CONTACT: COPPER ALLOY.  
METAL PADS: COPPER ALLOY
- PLATING:**  
CONTACT: UNDERPLATE: 50u" NICKEL OVER ALL.  
SOLDER AREA: 100u" TIN (LEAD FREE).  
MATING AREA: SEE PRODUCT NUMBER CODE.  
HOLDDOWN CLIP: 100u" TIN OVER 50 u" NICKEL.
- PRODUCT SPECIFICATION:** GS-12-1406
- PRODUCT MEETS EUROPEAN UNION DIRECTIVES AND OTHER COUNTRY REGULATIONS AS DESCRIBED IN GS-22-008.**
- DATE CODE "MMDDYYL", MMDDYY IS ASSEMBLY DATE. " L" IS AFCI PRODUCTION SITE.**
- THIS HOUSING WILL WITHSTAND EXPOSURE TO 260° PEAK TEMPERATURE FOR 10 SECONDS IN A CONVECTION, INFRA-RED OR VAPOR PHASE REFLOW OVEN.**



DATA CODE & PARTNO

**PRELIMINARY**

spec ref	-	dr	M. Cheong	2016-04-26	projection	MM	size	A3	scale	2:1
tolerance std	ISO 406 ISO 1101	eng	M. Cheong	2017-11-22			ecn no		rel level	
TOLERANCES UNLESS OTHERWISE SPECIFIED		chr					In Work			
surface	linear	0.X	±0.30	<b>Amphenol FCI</b> www.fci.com	PCI Express Gen 5 (32Gb/s) SMT Type	product family PCI express	10141523		rev	
		0.XX	±0.20				8			
	angular	0°	±2°				8			
ISO 1302				cat. no.	Product - Customer Drw			sheet 4 of 4		

© 2016 AFCI  
 Amphenol FCI