



Chipsmall Limited consists of a professional team with an average of over 10 year of expertise in the distribution of electronic components. Based in Hongkong, we have already established firm and mutual-benefit business relationships with customers from,Europe,America and south Asia,supplying obsolete and hard-to-find components to meet their specific needs.

With the principle of “Quality Parts,Customers Priority,Honest Operation,and Considerate Service”,our business mainly focus on the distribution of electronic components. Line cards we deal with include Microchip,ALPS,ROHM,Xilinx,Pulse,ON,Everlight and Freescale. Main products comprise IC,Modules,Potentiometer,IC Socket,Relay,Connector.Our parts cover such applications as commercial,industrial, and automotives areas.

We are looking forward to setting up business relationship with you and hope to provide you with the best service and solution. Let us make a better world for our industry!



## Contact us

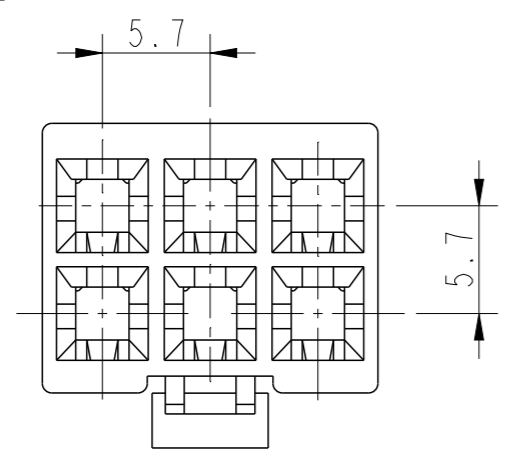
Tel: +86-755-8981 8866 Fax: +86-755-8427 6832

Email & Skype: info@chipsmall.com Web: www.chipsmall.com

Address: A1208, Overseas Decoration Building, #122 Zhenhua RD., Futian, Shenzhen, China

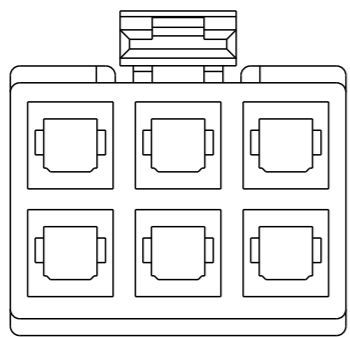
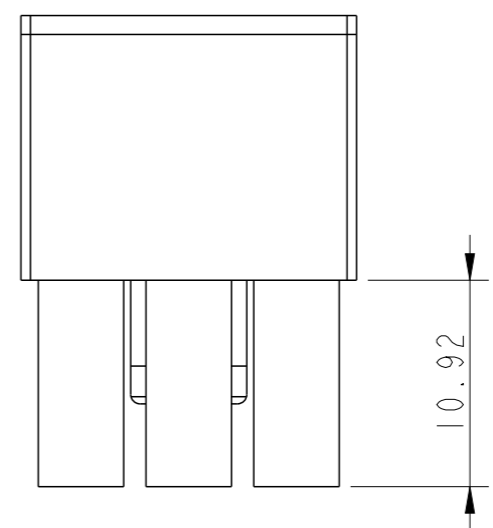
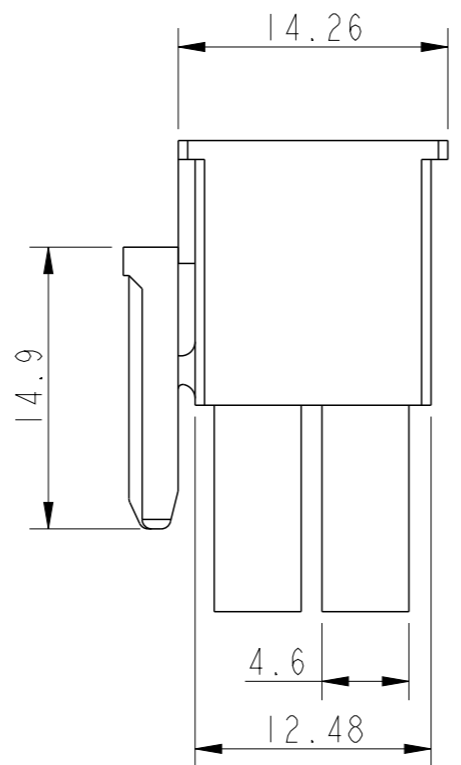
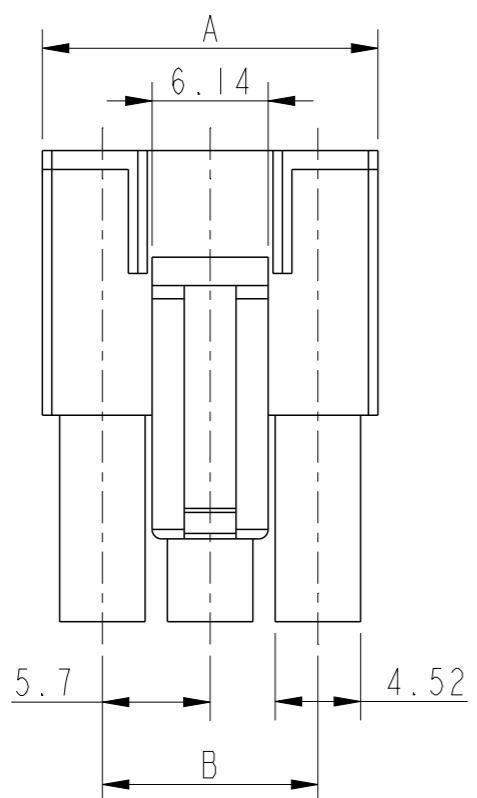
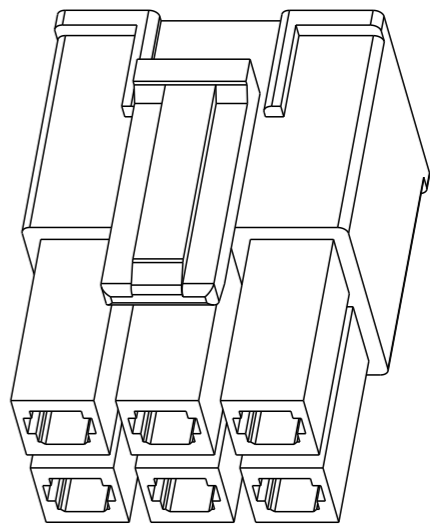


PART NUMBER  
10142707-XXLF



PART NUMBER:  
10142707-XX LF  
PIN COUNT:  
02~12 PIN

PIN	DIM A	DIM B
02	8.35	-
04	12.05	5.70
06	17.75	11.40
08	23.45	17.10
10	29.15	22.80
12	34.85	28.50



- NOTES:
- MATERIAL: PA66 UL94V-2, HALOGEN FREE, GLOW WIRE COMPATIBLE.
  - COLOR: BLACK.
  - RoHS COMPLIANT.
  - CRIMP TERMINAL P/N: 10143250.
  - MATE WITH HEADER P/N: 10142708.
  - PRODUCT SPEC: GS-12-1405.
  - PACKAGE SPEC: GS-14-2595.

Amphenol  
FCi

© 2016 AFCI

spec ref	dr <a href="#">Tony Leng</a> 2017/02/10			projection	mm	size	A3	scale	5:2
tolerance std	eng <a href="#">Tony Leng</a> 2018/01/05					ecn no	ELX-N-28879-1		
TOLERANCES UNLESS OTHERWISE SPECIFIED					chr	-	rel level	Released	
surface	linear	0.X	±0.30	<b>Amphenol FCi</b>	title Minitek Power 5.7 HSG	dwg no 10142707	rev <b>B</b>	cat. no. Product - Customer Drw sheet 1 of 2	
		0.XX	±0.20						
		0.XXX	±0.10						
	angular	0°	±2°						

1

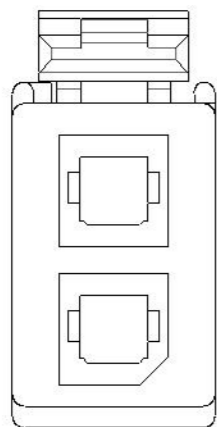
2

3

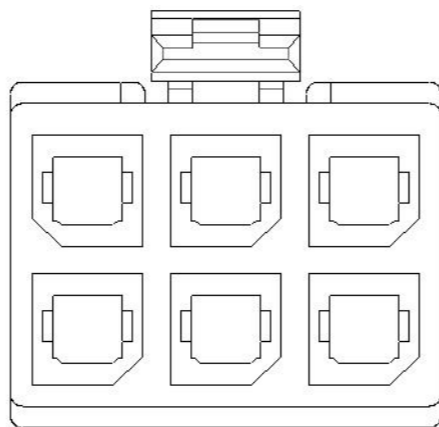
4

A

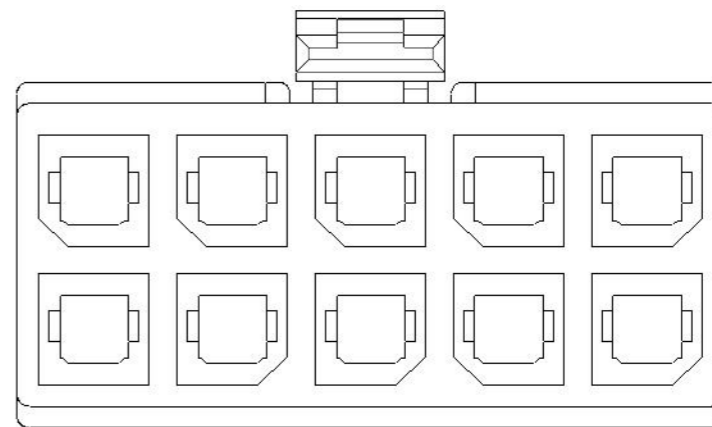
A



02P



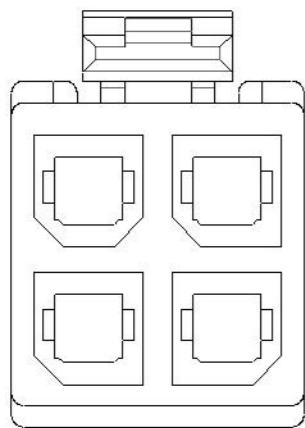
06P



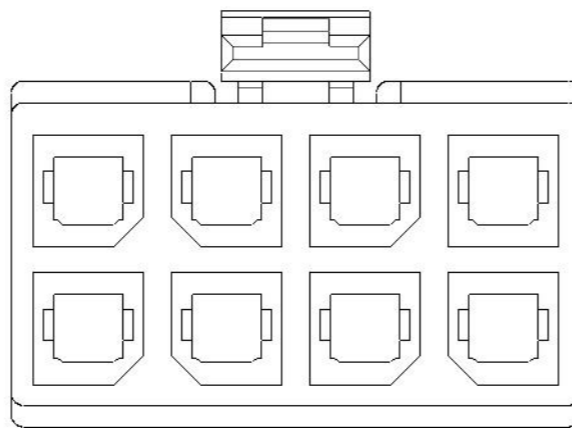
10P

B

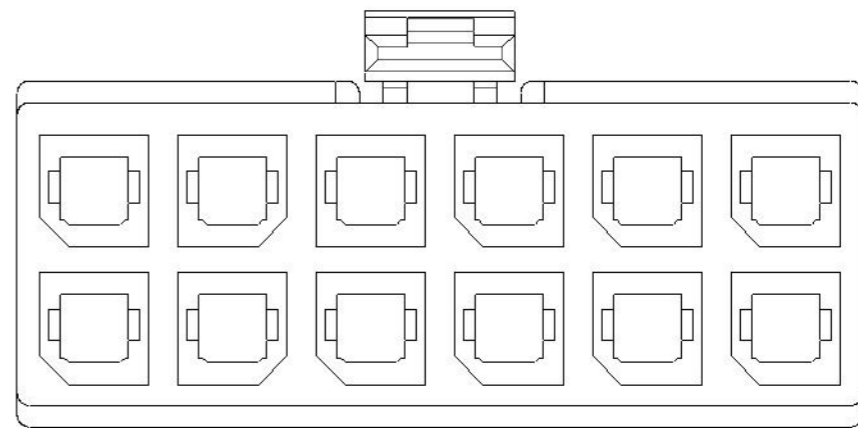
B



04P



08P



12P

C

C

D

D

Amphenol  
FCi

© 2016 AFCI

spec ref		dr	Tony Leng	2017/02/10	projection 	mm 	size	A3	scale	5:2
tolerance std		eng	Tony Leng	2018/01/05			ecn no	ELX-N-28879-1		
TOLERANCES UNLESS OTHERWISE SPECIFIED		chr	-	-			rel level	Released		
surface	linear	0.X	±0.30	Amphenol FCi	title	Minitek Power 5.7 HSG	dwg no	10142707	rev	B
		0.XX	±0.20							
		0.XXX	±0.10							
	angular	0°	±2°	cat. no.	Product - Customer Drw	sheet 2 of 2				

2

3

PDS: Rev :B

STATUS:Released

Printed: Jan 09, 2018