



Chipsmall Limited consists of a professional team with an average of over 10 year of expertise in the distribution of electronic components. Based in Hongkong, we have already established firm and mutual-benefit business relationships with customers from,Europe,America and south Asia,supplying obsolete and hard-to-find components to meet their specific needs.

With the principle of “Quality Parts,Customers Priority,Honest Operation,and Considerate Service”,our business mainly focus on the distribution of electronic components. Line cards we deal with include Microchip,ALPS,ROHM,Xilinx,Pulse,ON,Everlight and Freescale. Main products comprise IC,Modules,Potentiometer,IC Socket,Relay,Connector.Our parts cover such applications as commercial,industrial, and automotives areas.

We are looking forward to setting up business relationship with you and hope to provide you with the best service and solution. Let us make a better world for our industry!



Contact us

Tel: +86-755-8981 8866 Fax: +86-755-8427 6832

Email & Skype: info@chipsmall.com Web: www.chipsmall.com

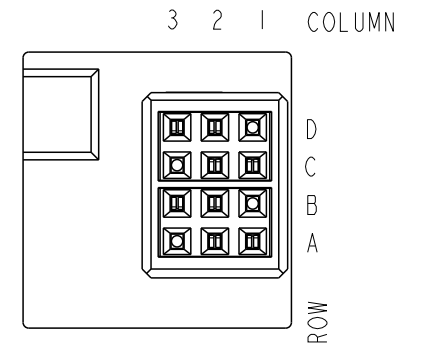
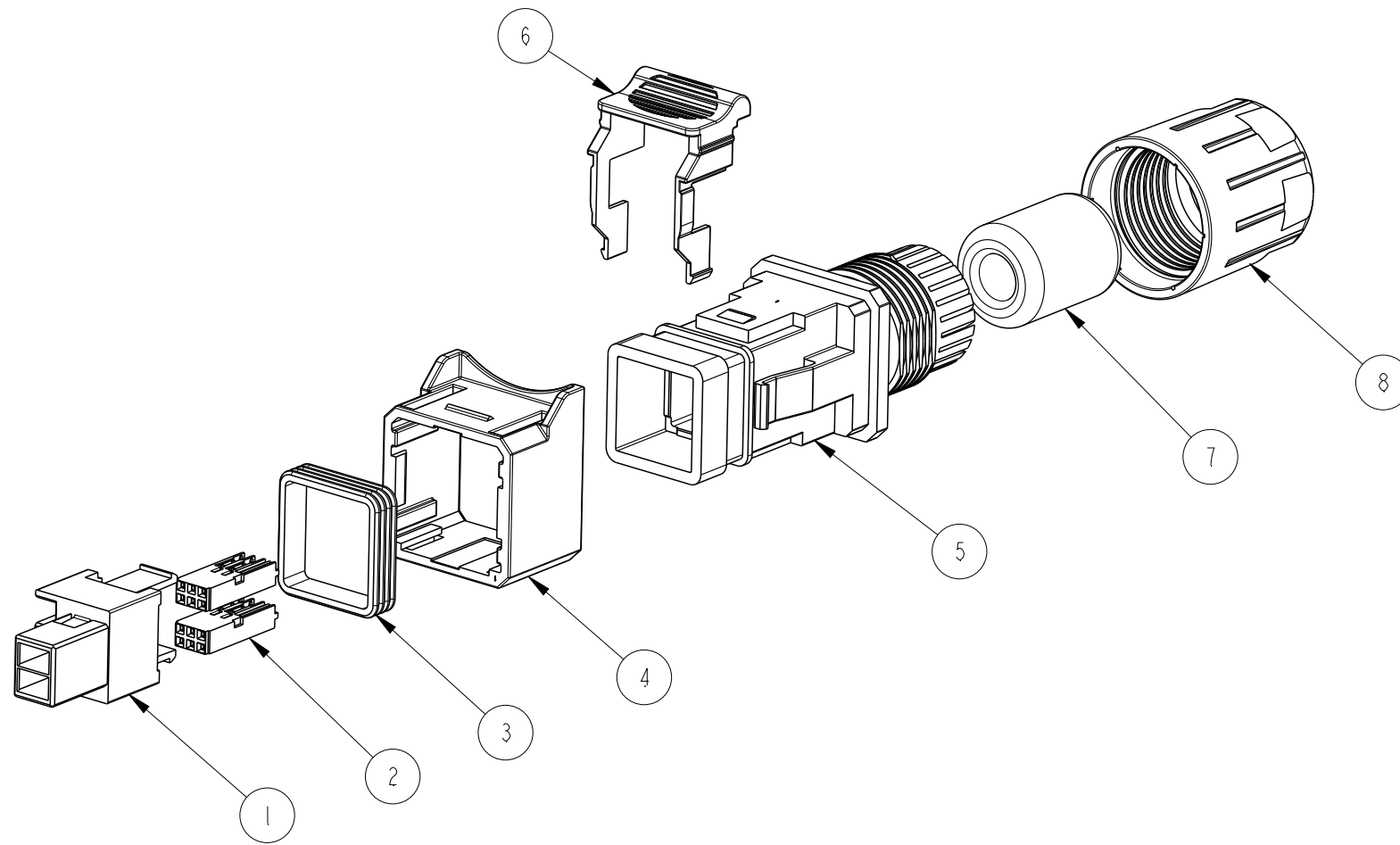
Address: A1208, Overseas Decoration Building, #122 Zhenhua RD., Futian, Shenzhen, China



PART NUMBER
SEE TABLE IN SHEET 2

VERIO PLUG KIT , 8, 10, 12 POS SIGNAL, FIELD
TERMINABLE, PITCH 26 MM

CONNECTOR FRONT VIEW



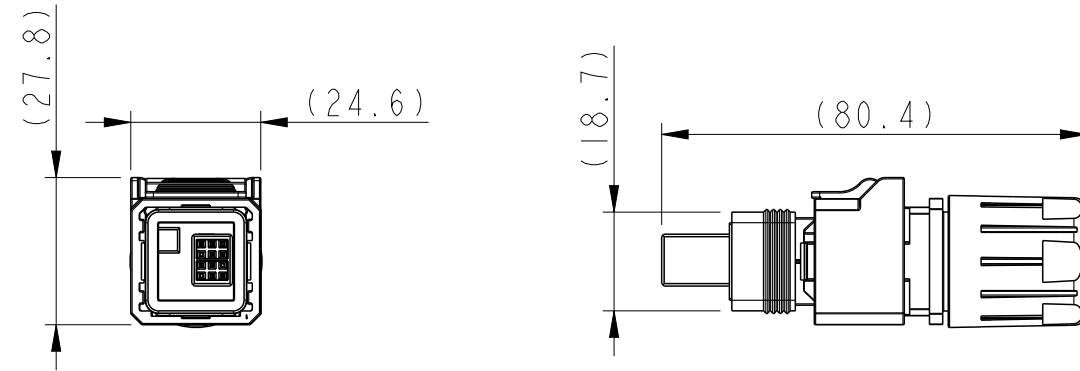
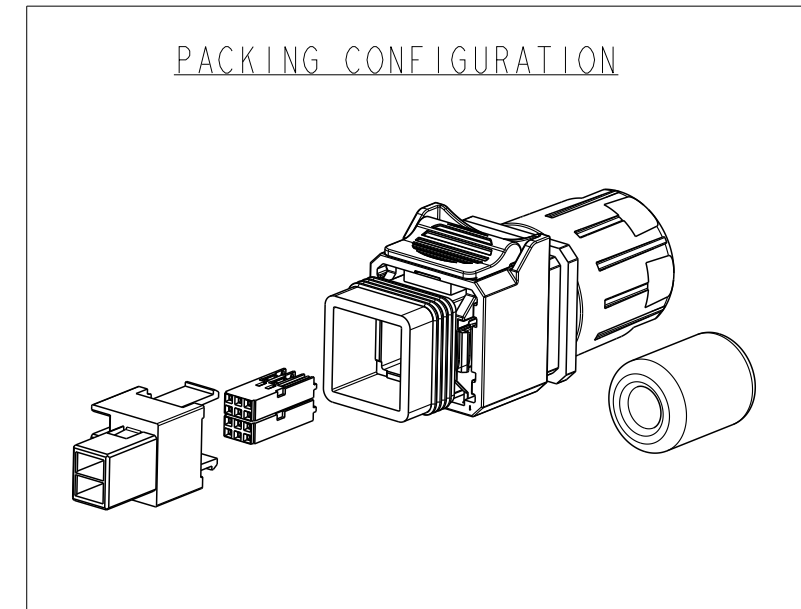
SL NO.	DESCRIPTION	MATERIAL	QTY	REMARKS
1	HOUSING	PBT	1	
2	TERMINAL BLOCK ASSEMBLY	PBT+COPPER ALLOY	2	
3	SEAL	SILICON	1	
4	SLIDE	PBT GF	1	
5	HOLDER	PBT GF	1	
6	SECONDARY LOCK	PBT GF	1	
7	GLAND	SILICON	1	
8	NUT	PBT GF	1	

spec ref		dr	Jibin John	2017/09/26	projection	mm	size	A3	scale	3:10
tolerance std		eng	B T Varghese	2017/11/24			ecn no		ELX-I-28591-1	
ISO 406		chr	-	-			rel level		Released	
ISO 1101		TOLERANCES UNLESS OTHERWISE SPECIFIED		appr	K-Paul Biju	2017/11/24	product family		VERIO	
surface	<input checked="" type="checkbox"/> linear <input type="checkbox"/> angular	0.X	±0.3	Amphenol FCI SIGNAL PLUG KIT- 8,10,12 POS VERIO	cat. no. - Product - Customer Drw	dwg no 10143486	rev B			
		0.XX	±0.13							
		0.XXX	±0.05							
ISO 1302		0°	±2°				sheet 1 of 2			

Amphenol
FCi

© 2016 AFCI

AFCI PART NO	ROW	COLUMN 3	COLUMN 2	COLUMN 1
10143486-101LF	D	X	X	-
	C	-	X	X
	B	X	X	-
	A	-	X	X
10143486-102LF	D	X	X	X
	C	-	X	X
	B	X	X	X
	A	-	X	X
10143486-103LF	D	X	X	X
	C	X	X	X
	B	X	X	X
	A	X	X	X



NOTES:

- 1. ALL PARTS WILL BE SUPPLIED IN BULK PACKING
- 2. PRODUCT SPEC - GS-12-1429
- 3. APPLICATION SPEC - GS-20-0523

Amphenol FCI

© 2016 AFCI

spec ref		dr	Jibin John	2017/09/26	projection	mm	size	A3	scale	3:10
tolerance std		eng	B T Varghese	2017/11/24			ecn no		ELX-I-28591-1	
ISO 406		chr	-	-			rel level		Released	
ISO 1101		appr	K-Paul Biju	2017/11/24	product family		VERIO		rev	
surface	linear	0.X		±0.3	Amphenol FCI	SIGNAL PLUG KIT- 8,10,12 POS		dwg no	10143486	
		0.XX		±0.13						
ISO 1302		0.XXX		±0.05		VERIO		rev	B	
		angular		0°	±2°		cat. no.			
						Product - Customer Drw		sheet 2 of 2		