



Chipsmall Limited consists of a professional team with an average of over 10 year of expertise in the distribution of electronic components. Based in Hongkong, we have already established firm and mutual-benefit business relationships with customers from,Europe,America and south Asia,supplying obsolete and hard-to-find components to meet their specific needs.

With the principle of “Quality Parts,Customers Priority,Honest Operation,and Considerate Service”,our business mainly focus on the distribution of electronic components. Line cards we deal with include Microchip,ALPS,ROHM,Xilinx,Pulse,ON,Everlight and Freescale. Main products comprise IC,Modules,Potentiometer,IC Socket,Relay,Connector.Our parts cover such applications as commercial,industrial, and automotives areas.

We are looking forward to setting up business relationship with you and hope to provide you with the best service and solution. Let us make a better world for our industry!



Contact us

Tel: +86-755-8981 8866 Fax: +86-755-8427 6832

Email & Skype: info@chipsmall.com Web: www.chipsmall.com

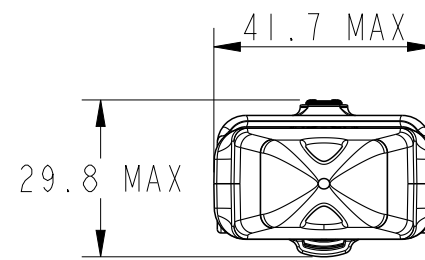
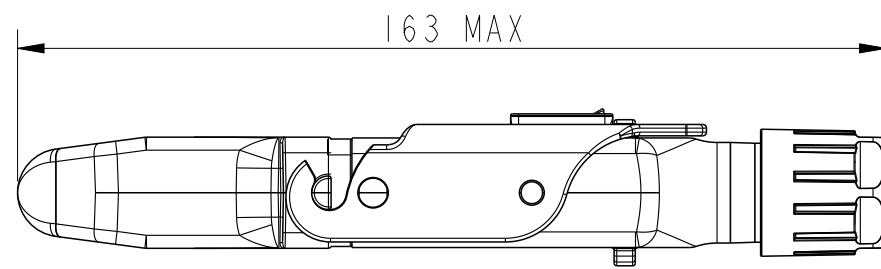
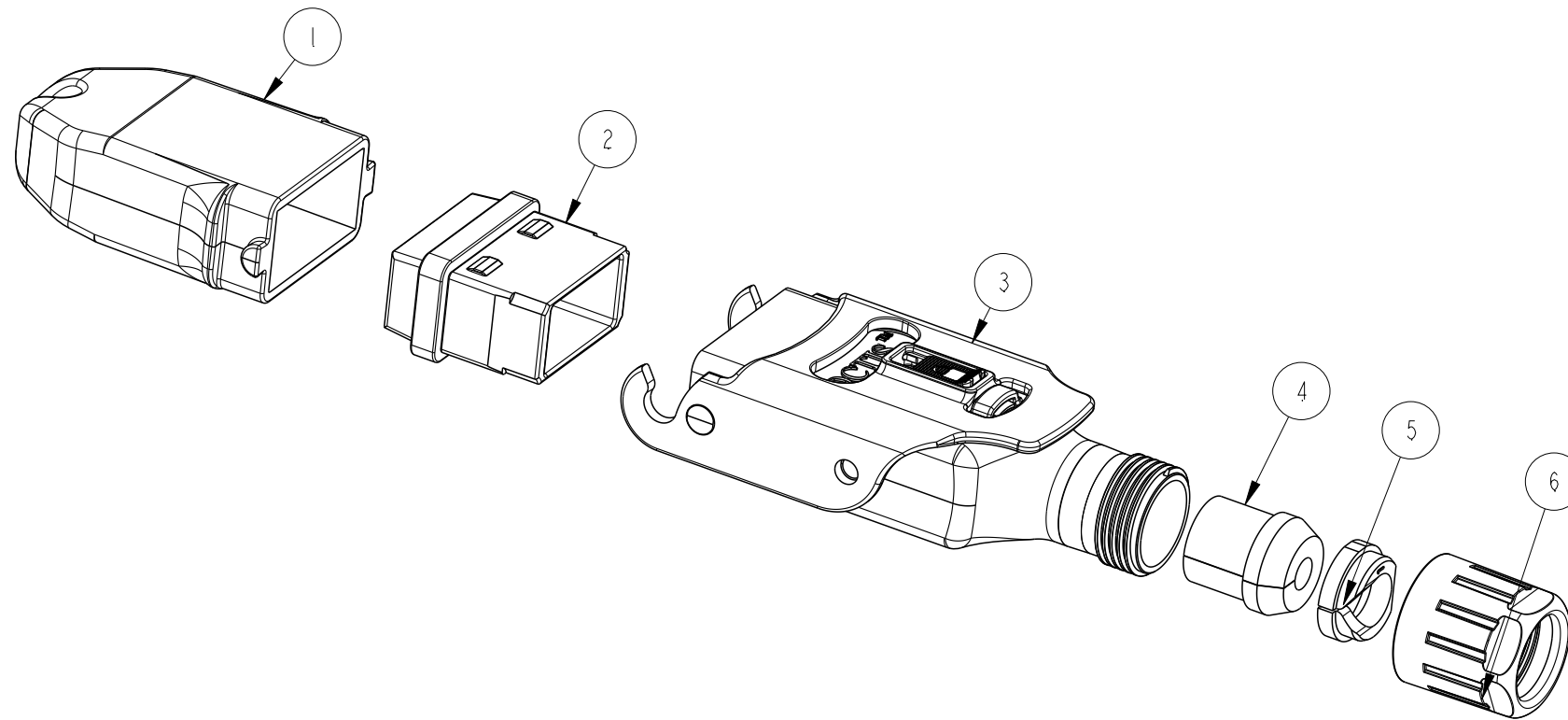
Address: A1208, Overseas Decoration Building, #122 Zhenhua RD., Futian, Shenzhen, China



PART NUMBER
10145289-XYZLF

SEE TABLE

OCTIS WIDE BODY UNIVERSAL PLUG KIT SUITABLE FOR MPO TO QSFP

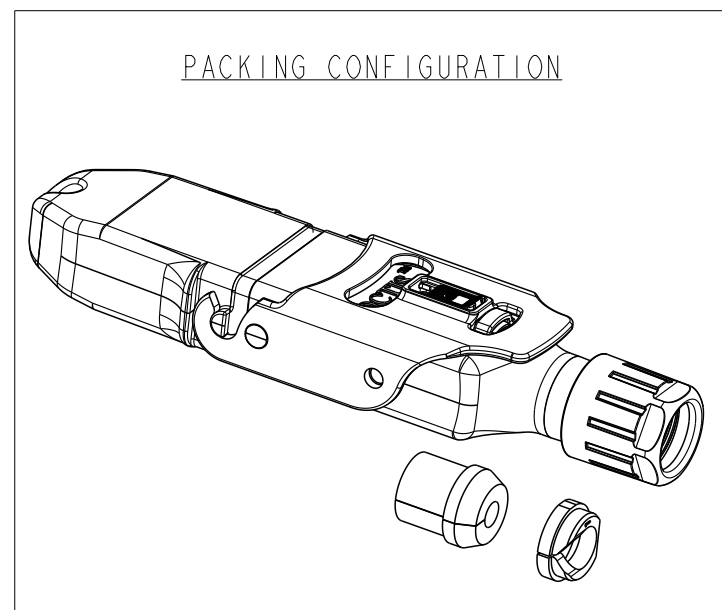


BOM OF PLUG KIT PART NO. 10145289-XYZLF

SL. NO	COMPONENT	MATERIAL	QTY	REMARKS
1	PLUG CAP	PBT GF	1	-
2	HOLDER SUB KIT	SILICONE+PBT GF	1	-
3	HOUSING SUB KIT	PBT GF+IXEF	1	-
4	SPLIT RUBBER GLAND	SILICONE	1	-
5	TIGHTENING CONE	PA	1	-
6	NUT	PBT GF	1	COLOUR BLUE

AFCI PN	RUBBER GLAND DIA	CABLE SPEC	QTY
10145289-101LF	6MM	FOR Ø6MM GLAND- OD 4.6MM MIN TO 5.6MM MAX.	1
10145289-102LF	8MM	FOR Ø8MM GLAND- OD 6.6MM MIN TO 7.95 MM MAX.	1
10145289-201LF	6MM, 8MM		2

OPTIONAL RUBBER GLAND DIA OF 7MM, 9MM & 10 MM AVAILABLE ON REQUEST



spec ref	dr	B T Varghese	2018/01/16	projection	mm	size	A3	scale	3:10
tolerance std	eng	B T Varghese	2018/01/18			ecn no		rel level	
TOLERANCES UNLESS OTHERWISE SPECIFIED						product family		OCTIS	
surface	linear	0.X	±0.3		WIDE BODY UNIVERSAL PLUG KIT FOR MPO TO QSFP OCTIS FIELD TERMINABLE, PITCH 41 MM	dwg no 10145289	rev		A
		0.XX	±.13				Product - Customer Drw		sheet 1 of 2
ISO 1302	angular	0°	±2°				cat. no.		

GENERAL CHARACTERISTICS

Mechanical		
Mating endurance (cycles)	IEC 61300-2-2	100
Axial Tensile load (N min)	IEC 61300-2-4	150
Vibration	IEC 61300-2-1	-
Recom. coupling torque (N.cm)	-	200 min / 250 max
Weight (g)	-	64.87
Environmental		
Protection class (mated condition)	IEC 60529	IP67 (*)
Operating temperature (°C)	IEC 61300-2-22	-40 / +85
Storage temperature (°C)	IEC 61300-2-22	-40 / +85
Humidity (damp heat) (%RH)	IEC 61300-2-19	5 / 95
Salt Mist	IEC 61300-2-26 (ISO21207 method B)	720h (To be tested) (*)
RoHS	-	Compliant
Flammability	UL 94	V0
UVB Resist	ASTM G154	Compliant
Others:		
Cable	-	Diameter Cable TBD ± 0.2 mm For other cable diameter, contact us.
Packaging	-	Unitary in plastic bag. With assembly note

(*) Mated condition

spec ref	dr	B T Varghese	2018/01/16	projection	mm	size	A3	scale	3:10
tolerance std	eng	B T Varghese	2018/01/18			ecn no			
TOLERANCES UNLESS OTHERWISE SPECIFIED						rel level			
	chr	-	-	product family		OCTIS		Released	
surface	appr	K-Paul Biju	2018/01/18	Amphenol FCI		10145289		rev	
ISO 1302	linear	0.X	±0.3	WIDE BODY UNIVERSAL PLUG KIT FOR MPO TO QSFP		10145289		A	
		0.XX	±.13	OCTIS FIELD TERMINABLE, PITCH 41 MM					
		0.XXX	±.050						
	angular	0°	±2°	cat. no.		Product - Customer Drw		sheet 2 of 2	