



Chipsmall Limited consists of a professional team with an average of over 10 year of expertise in the distribution of electronic components. Based in Hongkong, we have already established firm and mutual-benefit business relationships with customers from,Europe,America and south Asia,supplying obsolete and hard-to-find components to meet their specific needs.

With the principle of "Quality Parts,Customers Priority,Honest Operation,and Considerate Service",our business mainly focus on the distribution of electronic components. Line cards we deal with include Microchip,ALPS,ROHM,Xilinx,Pulse,ON,Everlight and Freescale. Main products comprise IC,Modules,Potentiometer,IC Socket,Relay,Connector.Our parts cover such applications as commercial,industrial, and automotives areas.

We are looking forward to setting up business relationship with you and hope to provide you with the best service and solution. Let us make a better world for our industry!



## Contact us

Tel: +86-755-8981 8866 Fax: +86-755-8427 6832

Email & Skype: info@chipsmall.com Web: www.chipsmall.com

Address: A1208, Overseas Decoration Building, #122 Zhenhua RD., Futian, Shenzhen, China

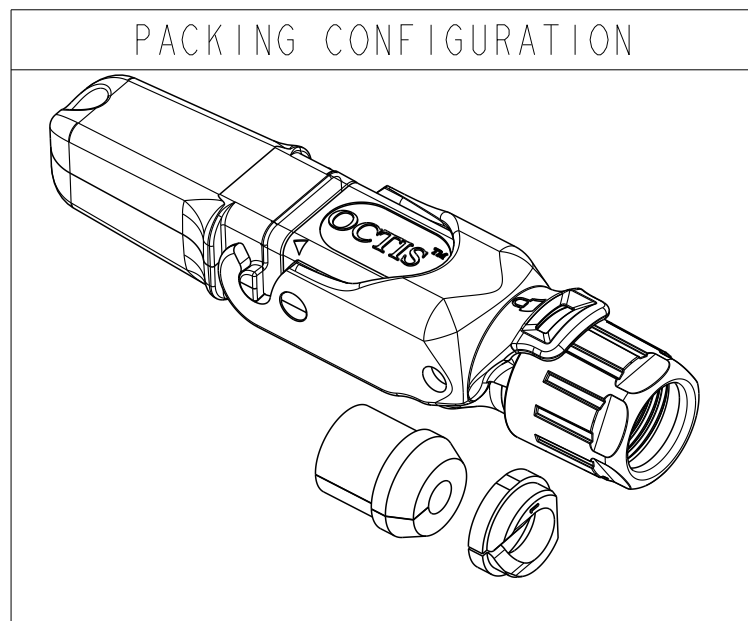
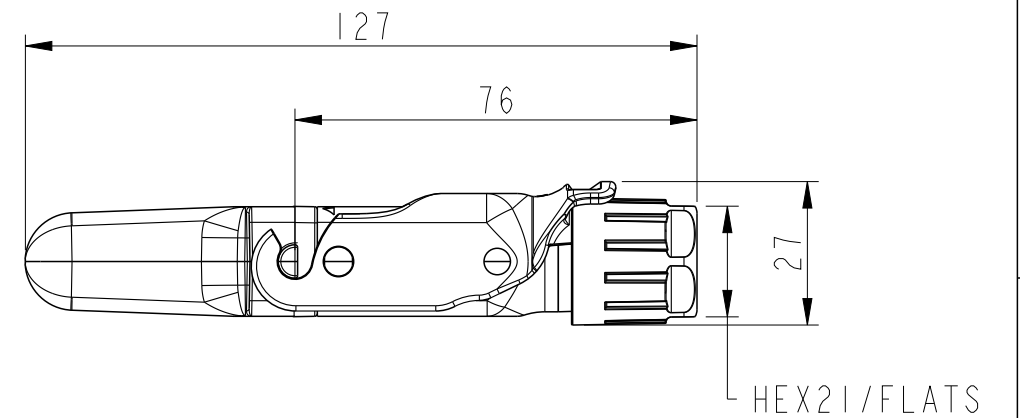
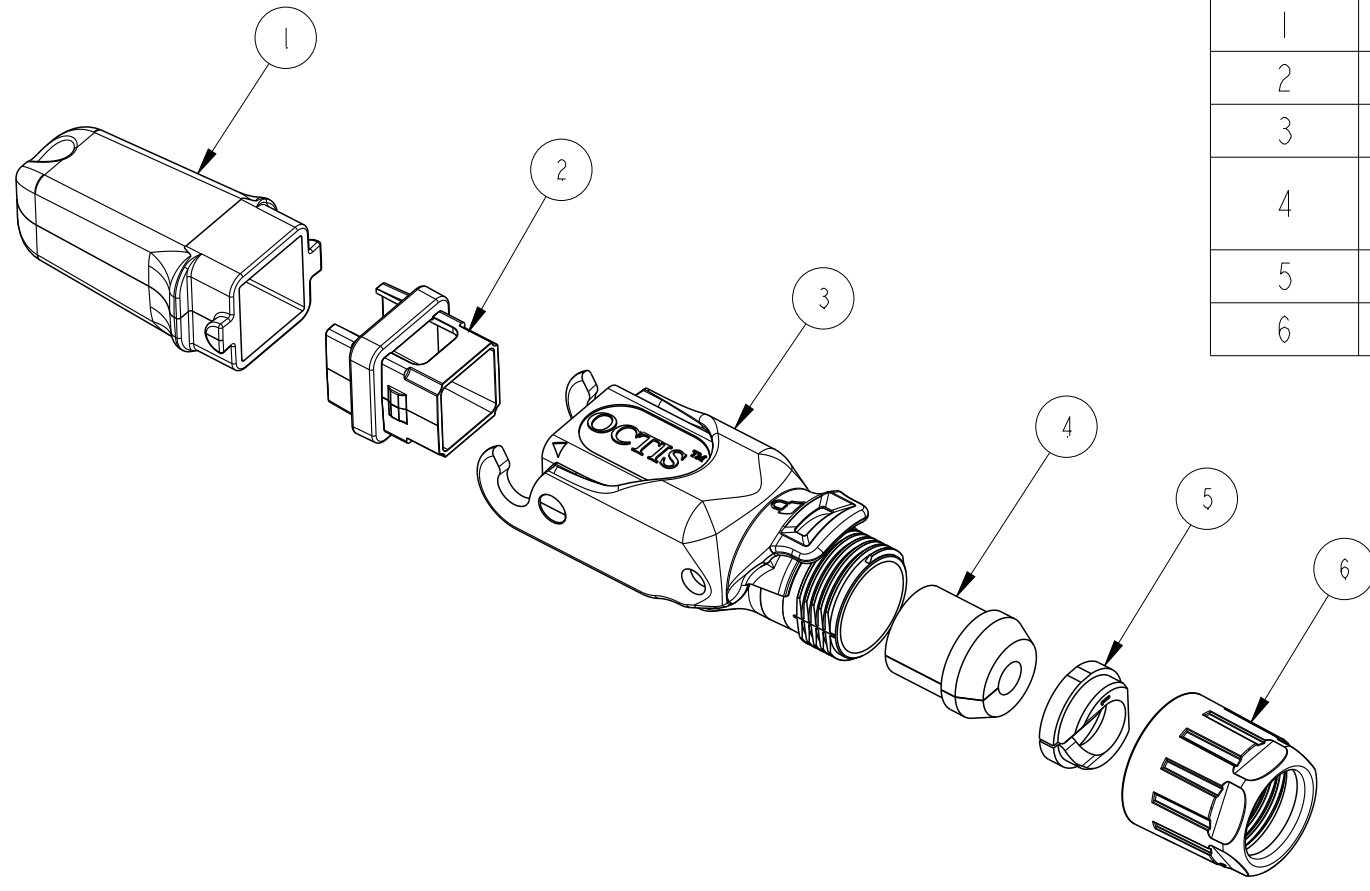


PART NUMBER  
SEE TABLE

OCTIS UNIVERSAL PLUG KIT, PITCH 26 MM

BOM OF PLUG KIT PART NUMBER: 10145416-XXXLF

| SL NO. | COMPONENT          | MATERIAL        | QTY | COLOUR                     |
|--------|--------------------|-----------------|-----|----------------------------|
| 1      | PLUG CAP           | PBT GF          | 1   | BLACK                      |
| 2      | HOLDER SUBSET KIT  | PBT GF+SILICONE | 1   | GREY+BLACK                 |
| 3      | HOUSING SUBSET KIT | PBT GF+IXEF     | 1   | GREY+BLACK                 |
| 4      | SPLIT RUBBER GLAND | SILICONE        | -   | BLACK<br>(SEE TABLE BELOW) |
| 5      | TIGHTENING CONE    | PA              | 1   | BLACK                      |
| 6      | GLAND NUT          | PBT GF          | 1   | BLUE                       |



| AFCI PN        | DESCRIPTION                   | RUBBER GLAND DIA | CABLE SPEC                                 | QTY |
|----------------|-------------------------------|------------------|--|-----|
| 10145416-101LF | LC DUPLEX/MPO ADAPTER VERSION | 6MM              | FOR Ø6MM GLAND- OD 4.6MM MIN TO 5.6MM MAX. | 1   |

\* STANDARD RUBBER GLAND DIA OFFERED IS 6MM  
OPTIONAL RUBBER GLAND DIA OF 7MM, 8MM, 9MM & 10 MM AVAILABLE ON REQUEST

|                                       |                     |       |              |                        |                    |              |        |           |       |          |
|---------------------------------------|---------------------|-------|--------------|------------------------|--------------------|--------------|--------|-----------|-------|----------|
| spec ref                              | -                   | dr    | Jibin John   | 2017/11/28             | projection         | MM           | size   | A3        | scale | 1:1      |
| tolerance std                         | ISO 406<br>ISO 1101 | eng   | B T Varghese | 2018/01/18             |                    |              | ecn no |           | -     |          |
| TOLERANCES UNLESS OTHERWISE SPECIFIED |                     | chr   | -            | product family         |                    |              | OCTIS  | rel level |       | Released |
| surface                               | linear              | 0.X   | ±0.3         |                        | UNIVERSAL PLUGKIT  |              | dwg no | 10145416  |       | rev      |
|                                       |                     | 0.XX  | ±0.13        |                        | OCTIS, PITCH 26 MM |              |        |           |       |          |
|                                       |                     | 0.XXX | ±0.05        |                        | cat. no.           |              |        |           |       |          |
|                                       | angular             | 0°    | ±2°          | Product - Customer Drw |                    | sheet 1 of 2 |        |           |       |          |

Amphenol FCI

© 2016 AFCI

GENERAL CHARACTERISTICS

|                                    |                                       |   |
|------------------------------------|---------------------------------------|---|
| Mechanical                         |                                       |   |
| Mating endurance (cycles)          | IEC 61300-2-2                         | 100   |
| Axial Tensile load (N min)         | IEC 61300-2-4                         | 150   |
| Vibration                          | IEC 61300-2-1                         | -   |
| Recom. coupling torque (N.cm)      | -                                     | 200 min / 250 max   |
| Weight (g)                         | -                                     | 43.127  |
| Environmental                      |                                       |   |
| Protection class (mated condition) | IEC 60529                             | IP67(*)   |
| Operating temperature (°C)         | IEC 61300-2-22                        | -40 / +85   |
| Storage temperature (°C)           | IEC 61300-2-22                        | -40 / +85   |
| Humidity (damp heat) (%RH)         | IEC 61300-2-19                        | 5 / 95  |
| Salt Mist                          | IEC 61300-2-26<br>(ISO21207 method B) | 720h (To be tested) (*)   |
| RoHS                               | -                                     | Compliant   |
| Flammability                       | UL 94                                 | V0  |
| UVB Resist                         | ASTM G154                             | Compliant   |
| Others:                            |                                       |   |
| Cable                              | IEC 60603-7                           | For use with standard LC duplex patchcord,<br>MultiMode or SingleMode, standard SFP or SFP+ transceiver |
|                                    |                                       | Diameter Cable tbd ± 0.2 mm   |
| Packaging                          | -                                     | Unitary in plastic bag.<br>With assembly note   |

(\*) Mated condition

NOTES:

1. 10145416-XXXLF-PLUGKIT CAN BE USED EITHER WITH

- \* 10145423-101LF "BULKHEAD LC DUPLEX ADAPTER ASSEMBLY"
- \* 10145295-101LF "BULKHEAD MPO ADAPTER ASSEMBLY"

10145416-XXXLF



PRELIMINARY

|                                       |                     |       |              |            |                    |                        |              |          |           |          |
|---------------------------------------|---------------------|-------|--------------|------------|--------------------|------------------------|--------------|----------|-----------|----------|
| spec ref                              | -                   | dr    | Jibin John   | 2017/11/28 | projection         | MM                     | size         | A3       | scale     | 1:1      |
| tolerance std                         | ISO 406<br>ISO 1101 | eng   | B T Varghese | 2018/01/18 |                    | ← →                    | ecn no       | -        | rel level | Released |
| TOLERANCES UNLESS OTHERWISE SPECIFIED |                     | chr   | -            | -          |                    |                        |              |          |           |          |
| surface                               | linear              | appr  | K-Paul Biju  | 2018/01/18 | product family     | OCTIS                  | dwg no       | 10145416 | rev       | A        |
|                                       | angular             |       |              |            |                    |                        |              |          |           |          |
|                                       | 0.X                 | ±0.3  | Amphenol FCI |            | UNIVERSAL PLUGKIT  |                        |              |          |           |          |
|                                       | 0.XX                | ±0.13 |              |            | OCTIS, PITCH 26 MM |                        |              |          |           |          |
|                                       | 0.XXX               | ±0.05 |              |            |                    |                        |              |          |           |          |
| ISO 1302                              | 0°                  | ±2°   |              |            | cat. no.           | Product - Customer Drw | sheet 2 of 2 |          |           |          |