



Chipsmall Limited consists of a professional team with an average of over 10 year of expertise in the distribution of electronic components. Based in Hongkong, we have already established firm and mutual-benefit business relationships with customers from,Europe,America and south Asia,supplying obsolete and hard-to-find components to meet their specific needs.

With the principle of “Quality Parts,Customers Priority,Honest Operation,and Considerate Service”,our business mainly focus on the distribution of electronic components. Line cards we deal with include Microchip,ALPS,ROHM,Xilinx,Pulse,ON,Everlight and Freescale. Main products comprise IC,Modules,Potentiometer,IC Socket,Relay,Connector.Our parts cover such applications as commercial,industrial, and automotives areas.

We are looking forward to setting up business relationship with you and hope to provide you with the best service and solution. Let us make a better world for our industry!



Contact us

Tel: +86-755-8981 8866 Fax: +86-755-8427 6832

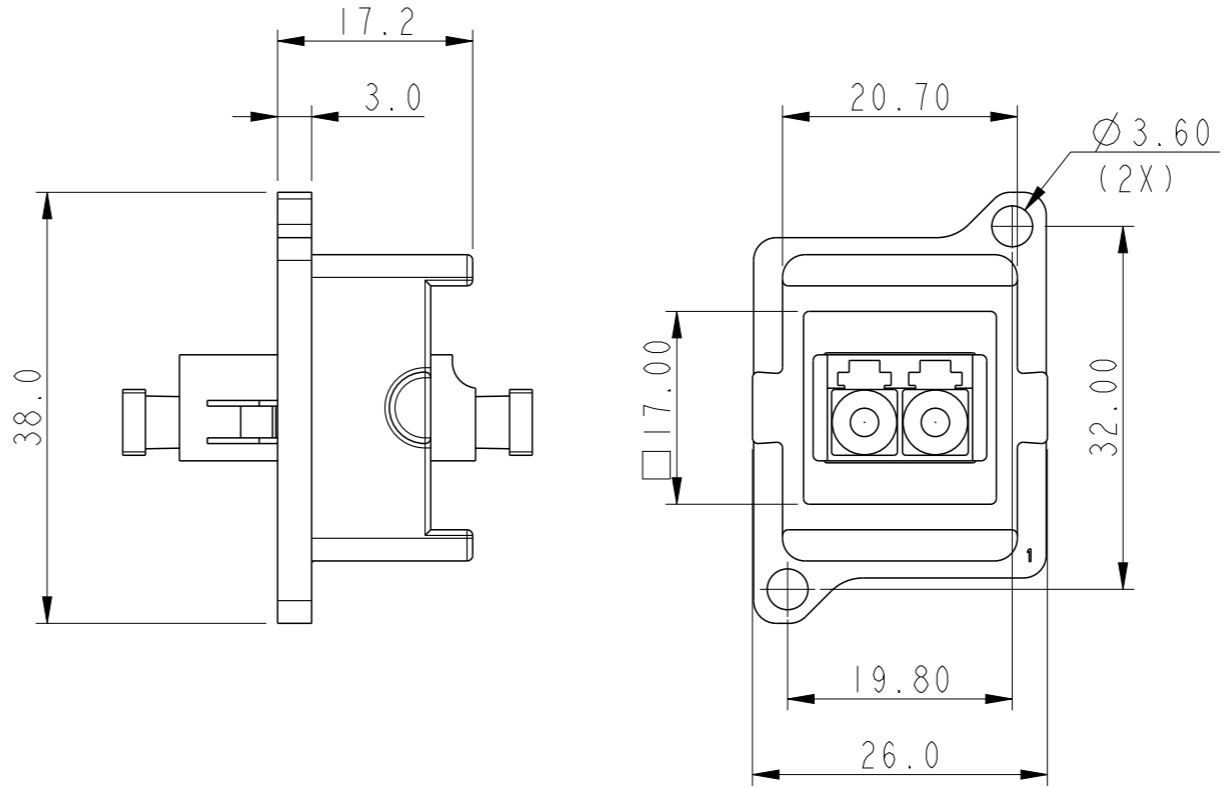
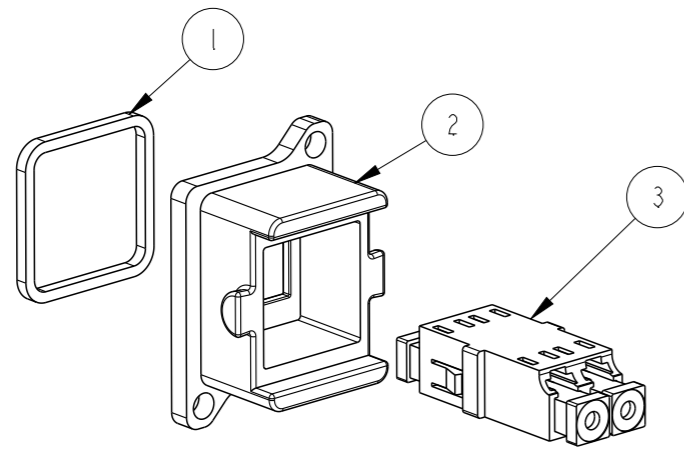
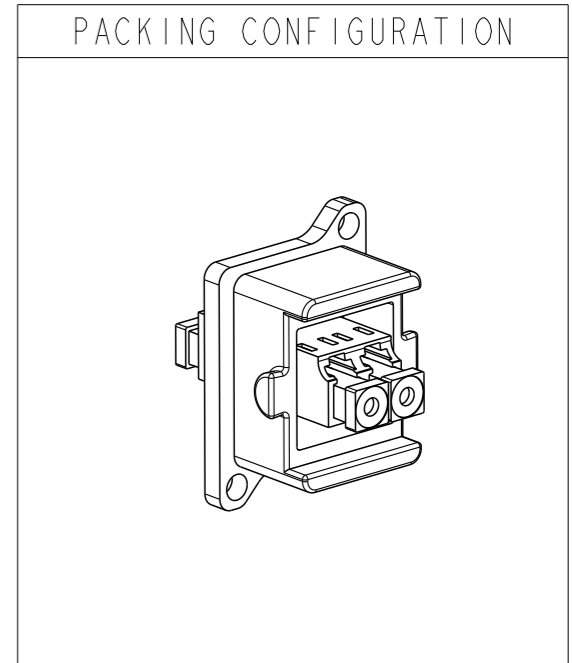
Email & Skype: info@chipsmall.com Web: www.chipsmall.com

Address: A1208, Overseas Decoration Building, #122 Zhenhua RD., Futian, Shenzhen, China

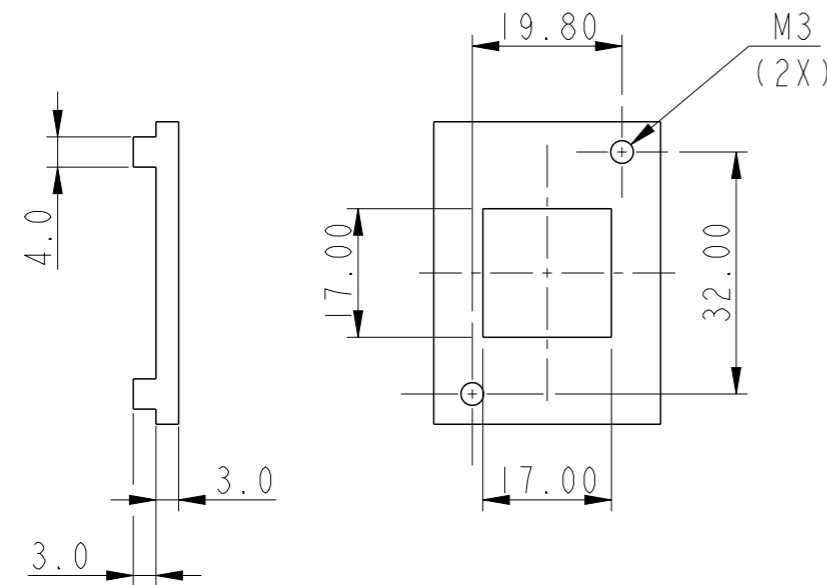


PART NUMBER
10145423-101LF

BULKHEAD ADAPTER ASSEMBLY FOR OCTIS LC DUPLEX ADAPTER PLUG KIT



PANEL CUTOUT DIMENSIONS



SL NO.	COMPONENT	MATERIAL	QTY	COLOUR
1	SEALING GASKET	SILICONE	1	BLACK
2	BULKHEAD FOR LC ADAPTER	IXEF	1	BLACK
3	LC DUPLEX ADAPTER	THERMOPLASTIC+CERAMIC	1	AQUA

- NOTES:
- TO BE USED WITH OCTIS PLUG KIT FOR LC DUPLEX ADAPTER VERSION, PITCH 26 MM- PART NUMBER 10145416-XXXLF
 - CASTED MOUNTING PANEL SHOULD HAVE ON ITS REAR SIDE INTEGRAL RECTANGULAR REINFORCED RIBS OF 3MM THICKNESS AND 4MM WIDTH ALONG THE MOUNTING SCREW PLANE AT THE TOP AND BOTTOM TO ACCOMODATE THE BLIND INTERNAL SCREW THREAD

spec ref	dr	Jibin John	2017/11/29	projection	MM	size	A3	scale	1:1
tolerance std	eng	B T Varghese	2018/01/18			ecn no	-	rel level	Released
ISO 406 ISO 1101	chr	-	-						
surface	linear	0.X	±0.3		product family OCTIS	LC ADAPTER AND BULKHEAD ASSEMBLY FOR OCTIS LC DUPLEX ADAPTER PLUG KIT, PITCH 26 MM	dwg no 10145423	rev A	
		0.XX	±0.10						
ISO 1302	angular	0°	±2°	cat. no.	-	Product - Customer Drw	sheet 1 of 1		

© 2016 AFCI
 Amphenol FCI