



Chipsmall Limited consists of a professional team with an average of over 10 year of expertise in the distribution of electronic components. Based in Hongkong, we have already established firm and mutual-benefit business relationships with customers from,Europe,America and south Asia,supplying obsolete and hard-to-find components to meet their specific needs.

With the principle of “Quality Parts,Customers Priority,Honest Operation,and Considerate Service”,our business mainly focus on the distribution of electronic components. Line cards we deal with include Microchip,ALPS,ROHM,Xilinx,Pulse,ON,Everlight and Freescale. Main products comprise IC,Modules,Potentiometer,IC Socket,Relay,Connector.Our parts cover such applications as commercial,industrial, and automotives areas.

We are looking forward to setting up business relationship with you and hope to provide you with the best service and solution. Let us make a better world for our industry!



## Contact us

Tel: +86-755-8981 8866 Fax: +86-755-8427 6832

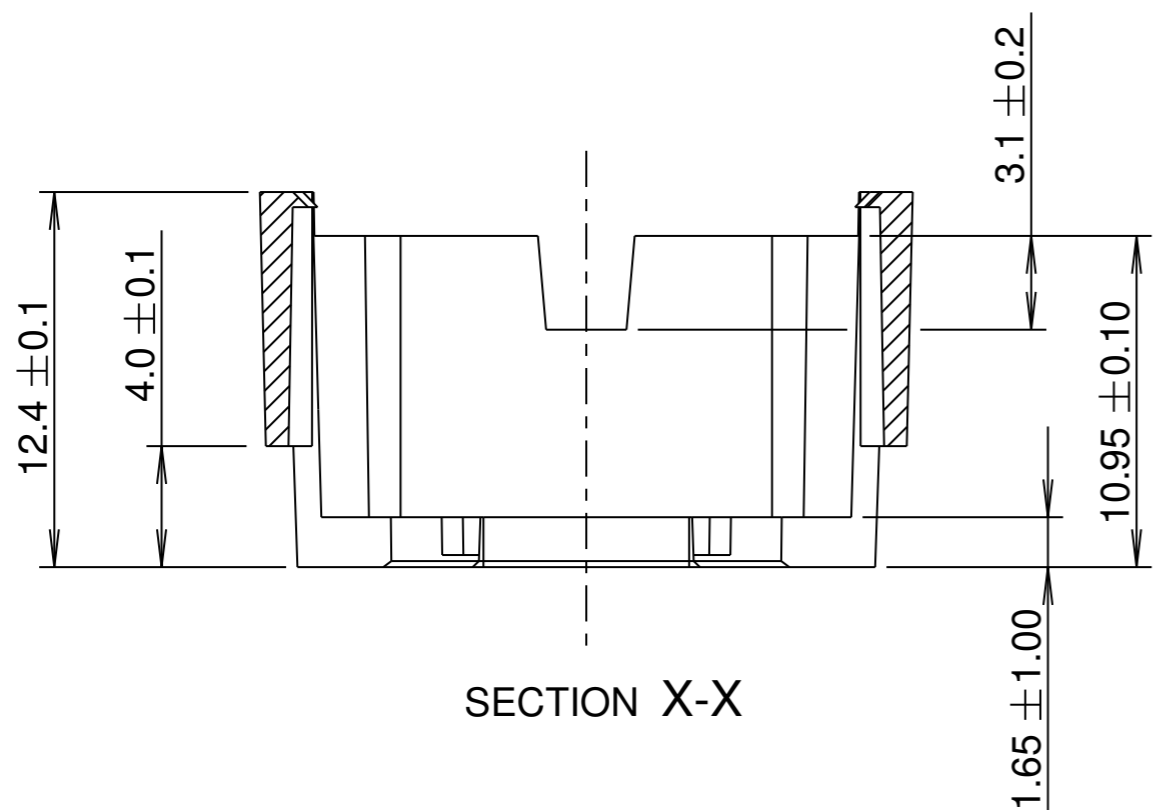
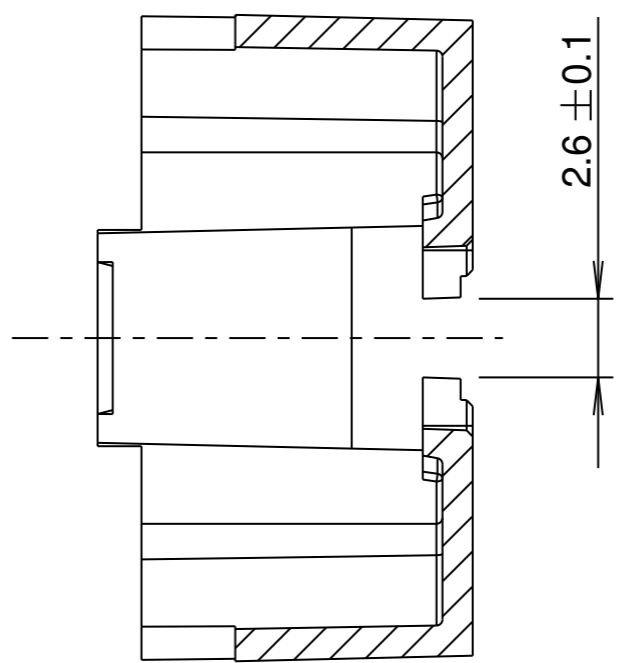
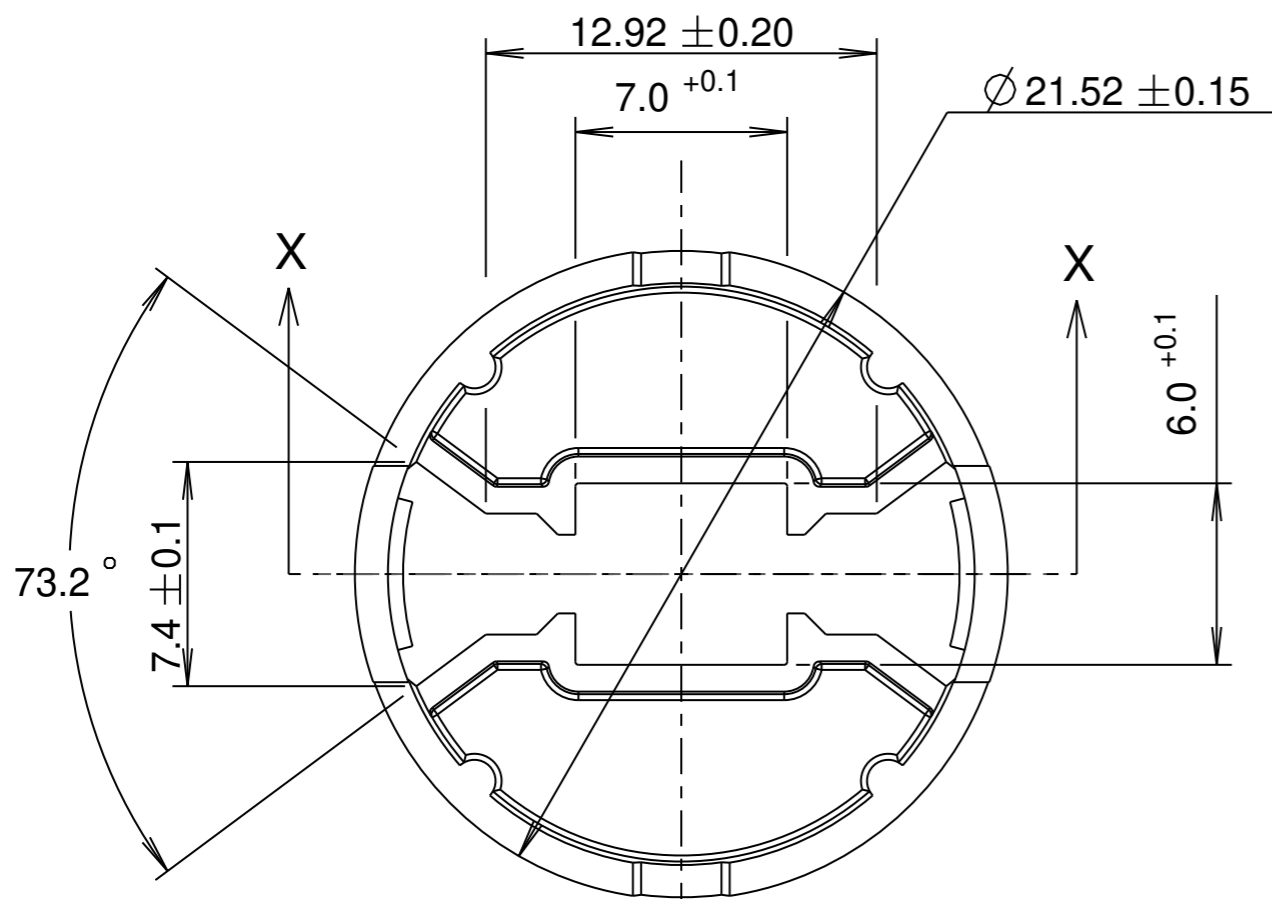
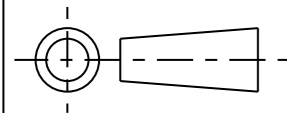
Email & Skype: info@chipsmall.com Web: www.chipsmall.com

Address: A1208, Overseas Decoration Building, #122 Zhenhua RD., Futian, Shenzhen, China



# CUSTOMER DRAWING

©2007 CARCLO  
ALL DIMENSIONS IN mm



SECTION Y-Y

SECTION X-X

- NOTES:  
1. MATERIAL: SEE TABLE  
2. GENERAL WALL THICKNESS 1mm

PART No.	DESCRIPTION
10148	BLACK POLYCARBONATE
10149	CLEAR POLYCARBONATE
10150	WHITE POLYCARBONATE

ISS.	DATE	E.C.N.	DESCRIPTION
5	17-Jan-07		LED APERTURE CORNER RADII REDUCED
6	24-Jan-08	01/08/1215	APERTURE RESTRICTION TO IMPROVE LOCATION



CARCLO TECHNICAL PLASTICS (SLOUGH)  
111 BUCKINGHAM AVE, SLOUGH  
SL1 4PF, ENGLAND  
TEL: +44 1753 575011 FAX: +44 1753 811359  
email: design@carclo-optics.com

GENERAL TOLERANCES (UNLESS STATED)

LINEAR	ANGULAR
X +/- 0.25	X +/- 1°
X.X +/- 0.1	X.X +/- 0.5°
X.XX +/- 0.05	X.XX +/- 0.1°

CUSTOMER  
OSRAM GOLDEN DRAGON LED

TITLE  
HOLDER FOR 20mm OPTIC & OSRAM DRAGON LED

DRAWN **RJL** DATE 17-Jan-06

CHK'D DATE

APP'D DATE

SCALE 4:1 CARCLO PART No. SEE TABLE

SIZE A3 CARCLO DRG. No. 60419 SHEET 1 OF 1