



Chipsmall Limited consists of a professional team with an average of over 10 year of expertise in the distribution of electronic components. Based in Hongkong, we have already established firm and mutual-benefit business relationships with customers from,Europe,America and south Asia,supplying obsolete and hard-to-find components to meet their specific needs.

With the principle of “Quality Parts,Customers Priority,Honest Operation,and Considerate Service”,our business mainly focus on the distribution of electronic components. Line cards we deal with include Microchip,ALPS,ROHM,Xilinx,Pulse,ON,Everlight and Freescale. Main products comprise IC,Modules,Potentiometer,IC Socket,Relay,Connector.Our parts cover such applications as commercial,industrial, and automotives areas.

We are looking forward to setting up business relationship with you and hope to provide you with the best service and solution. Let us make a better world for our industry!



Contact us

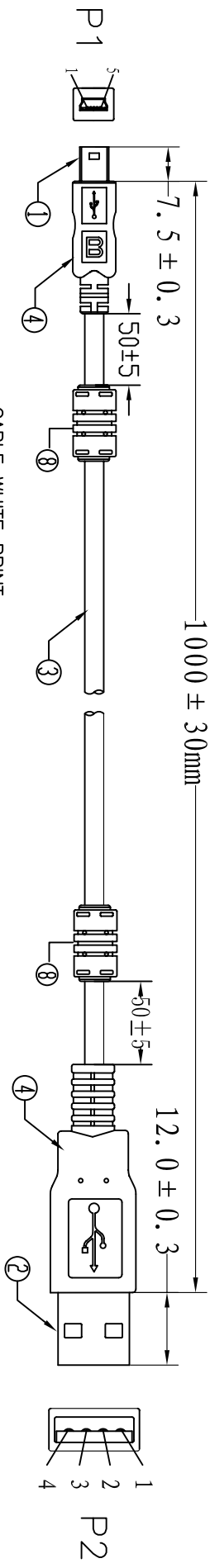
Tel: +86-755-8981 8866 Fax: +86-755-8427 6832

Email & Skype: info@chipsmall.com Web: www.chipsmall.com

Address: A1208, Overseas Decoration Building, #122 Zhenhua RD., Futian, Shenzhen, China

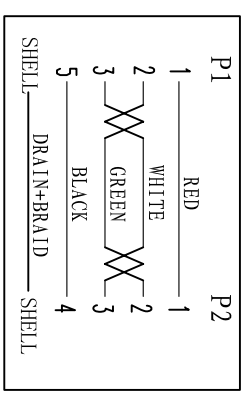


UNIT:mm

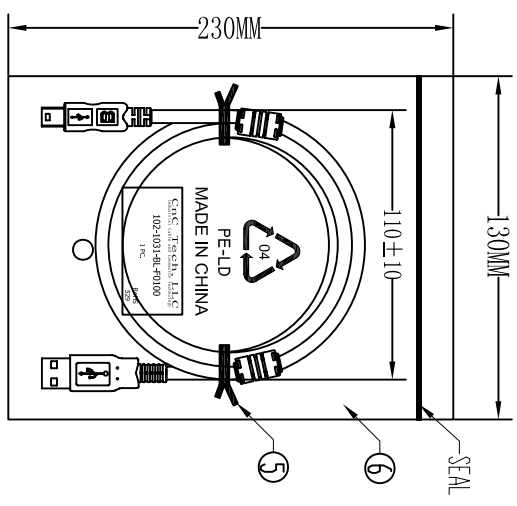


CABLE WHITE PRINT
 HI-SPEED USB Revision 2.0 SHIELDED 28AWG/1P+28AWG/2C
 E189529 AWM STYLE 2725 80°C 30V VW-1 VEGA TECH

PIN ASSIGNMENT:



Electrical test:
 1. 100% short, open, miswire test
 2. Conduct resistance: 2 Ohm(max)
 3. Insulation resistance: 10Mohm(min)
 4. dielectric test: DC 300V



⑧	OUT JACKET	14.5g	BLACK 45P PVC (MOLD NO.:CH003)
	FERRITE	2	CORE OD12*5.6*L20 BLACK
⑦	PE BAG	1/10	CLEAR SIZE: 280*330*0.05mm PRINT BLACK"MADE IN CHINA"+10PCS"及印生产周期, 有透气孔.
⑥	PE BAG	1	CLEAR SIZE: 130*230*0.05mm PRINT BLACK"MADE IN CHINA"+1PC"及印生产周期, 有透气孔.
⑤	TIE	1	BLACK L=80mm
④	OUT JACKET	12g	BLACK PVC-50P (MOULD NO:WM-40 & WM-88)
③	CABLE	1	BLACK USB2.0 UL2725 28#/1P+28#/2C+AEB OD:3.8mm
②	CONN	1set	USB2.0 刺破式 ATYP/PE MALE SHELL:NICKEL PIN:GF 4PCS TYPE INSULATOR COLOR:WHITE
①	CONN	1set	USB2.0 刺破式 MINI 5P MALE SHELL:NICKEL PIN:GF 3PCS INSULATOR COLOR:BLACK
NO.	NAME	Q'TY	SPECIFICATION

4 3 2 1

Cnc Tech, LLC
 Industrial Cable and Connector Technology

DRAWN	LICHENG	DRAWING NO	
CHECKED		CUSTOMER	
APPROVAL		ITEM NO.	102-1031-BL-F0100
DECIDED		DATE	2012-12-20
VERSIONS/EDITION	A/0	PROJECTION	