



Chipsmall Limited consists of a professional team with an average of over 10 year of expertise in the distribution of electronic components. Based in Hongkong, we have already established firm and mutual-benefit business relationships with customers from,Europe,America and south Asia,supplying obsolete and hard-to-find components to meet their specific needs.

With the principle of “Quality Parts,Customers Priority,Honest Operation,and Considerate Service”,our business mainly focus on the distribution of electronic components. Line cards we deal with include Microchip,ALPS,ROHM,Xilinx,Pulse,ON,Everlight and Freescale. Main products comprise IC,Modules,Potentiometer,IC Socket,Relay,Connector.Our parts cover such applications as commercial,industrial, and automotives areas.

We are looking forward to setting up business relationship with you and hope to provide you with the best service and solution. Let us make a better world for our industry!



Contact us

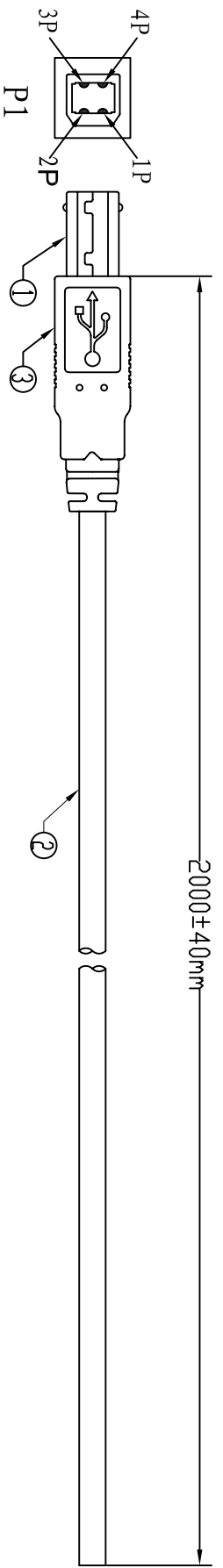
Tel: +86-755-8981 8866 Fax: +86-755-8427 6832

Email & Skype: info@chipsmall.com Web: www.chipsmall.com

Address: A1208, Overseas Decoration Building, #122 Zhenhua RD., Futian, Shenzhen, China



UNIT:mm

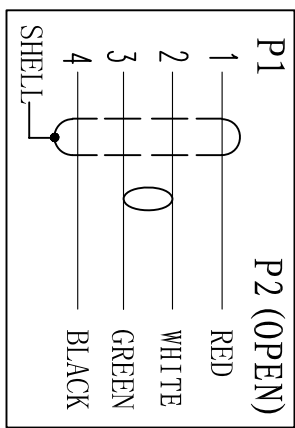


P2
OPEN

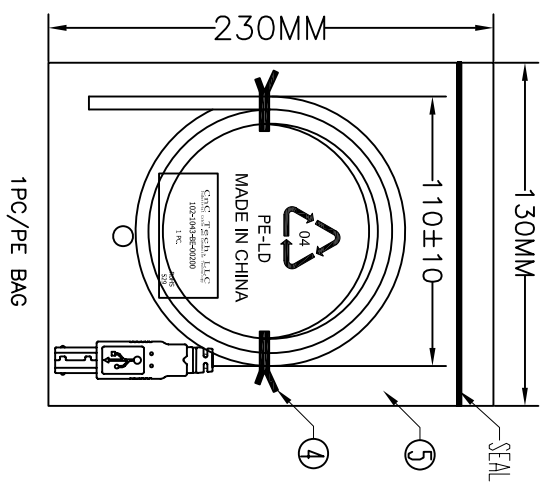
CABLE BLACK PRINT

HI-SPEED USB Revision 2.0 SHIELDED 28AWG/1P+28AWG/2C
 E189529 AWM STYLE 2725 80°C 30V VW-1 VEGA TECH

PIN ASSIGNMENT:



Electrical test:
 1. 100% short, open, miswire test
 2. Conduct resistance: 2 Ohm(max)
 3. Insulation resistance: 5Mohm(min)
 4. dielectric test: DC 300V



| | | | | | | |
|-----|------------|------|----------------------------|--------------|-------------------------|--------------------|
| ⑥ | PE BAG | 1/10 | CLEAR SIZE:280*330*0.05mm | PRINT BLACK | MADE IN CHINA | "10PCS"印生产周期,有透气孔. |
| ⑤ | PE BAG | 1 | CLEAR SIZE:130*230*0.05mm | PRINT BLACK | MADE IN CHINA | "1PC"印生产周期,有透气孔. |
| ④ | TIE | 2 | WHITE | L=100mm | | |
| ③ | OUT JACKET | 12g | BELGE (IV-29#) | PVC-40P | (MOULD NO.:WM-65) | |
| ② | CABLE | 1 | BELGE (IV-29#) | USB2.0 | UL2725 28#/1P+28#/2C+AB | OD:4.7mm L=2000±20 |
| ① | CONN | 2set | USB2.0 B MALE SHELL:NICKEL | PIN G/F 3PCS | TYPE INSULATOR | COLOR:WHITE |
| NO. | NAME | Q'TY | SPECIFICATION | | | |

CNC Tech, LLC
 Industrial Cable and Connector Technology

| | | | |
|------------------|----------|------------|-------------------|
| DRAWN | LI CHENG | DRAWING NO | |
| CHECKED | | CUSTOMER | |
| APPROVAL | | ITEM NO. | 102-1043-BE-00200 |
| DECIDED | | DATE | 2012-11-23 |
| VERSIONS/EDITION | A/0 | PROJECTION | |

4

3

2

1

4

3

2

1

D

D

C

C

B

B

A

A