



Chipsmall Limited consists of a professional team with an average of over 10 year of expertise in the distribution of electronic components. Based in Hongkong, we have already established firm and mutual-benefit business relationships with customers from,Europe,America and south Asia,supplying obsolete and hard-to-find components to meet their specific needs.

With the principle of "Quality Parts,Customers Priority,Honest Operation,and Considerate Service",our business mainly focus on the distribution of electronic components. Line cards we deal with include Microchip,ALPS,ROHM,Xilinx,Pulse,ON,Everlight and Freescale. Main products comprise IC,Modules,Potentiometer,IC Socket,Relay,Connector.Our parts cover such applications as commercial,industrial, and automotives areas.

We are looking forward to setting up business relationship with you and hope to provide you with the best service and solution. Let us make a better world for our industry!



Contact us

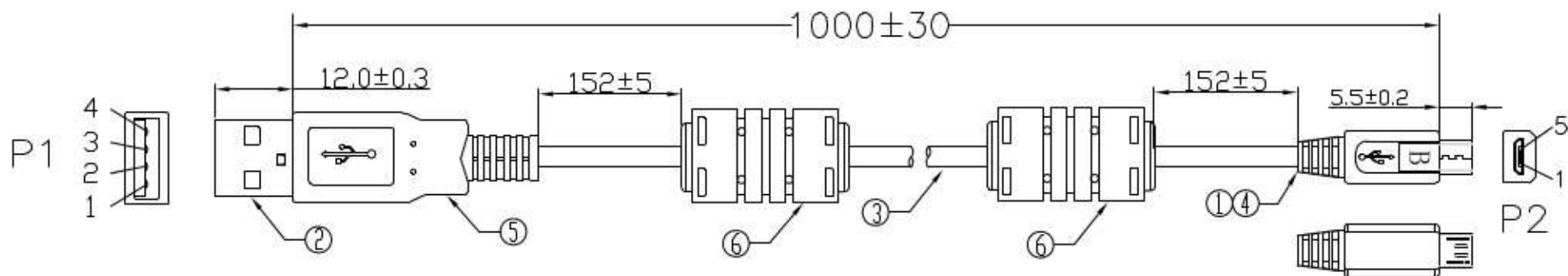
Tel: +86-755-8981 8866 Fax: +86-755-8427 6832

Email & Skype: info@chipsmall.com Web: www.chipsmall.com

Address: A1208, Overseas Decoration Building, #122 Zhenhua RD., Futian, Shenzhen, China



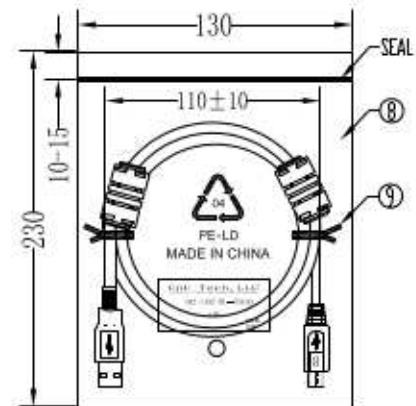
UNIT:mm



PIN ASSIGNMENT			
P1		P2	
1	RED	1	
2	WHITE	2	
3	GREEN	3	
4	BLACK	5	
SHELL		DR+BR	SHELL

Electrical test:
 1.100% short,open,miswire test
 2.Conduct resistance:5 Ohm(max)
 3.Insulation resistance:10Mohm(min)
 4.dielectric test:DC 300V

CnC Tech, LLC
 Industrial Cable and Connector Technology
 102-1492-BL-F0100
 10 PCS.
 RoHS
 YWW



1PCS/PE BAG

NO.	NAME	Q'TY	SPECIFICATION
①	TIE	2	BLACK L=80mm
②	PE BAG	1/10	CLEAR PE BAG SIZE:280*330*0.05mm
③	PE BAG	1	CLEAR PE BAG SIZE:130*230*0.05mm.
④	OUT JACKET	15g	BLACK 45P PVC (MOLD NO: CH003)
⑤	FERRITE	2	OD:12*ID:5.6*L20mm
⑥	OUT JACKET	5g	BLACK PVC-45P (MOULD NO:WM-40)
⑦	IN JACKET	0.35g	CLEAR LD-PE (MOULD NO: NM-86)
⑧	OUT JACKET	4.5g	BLACK PVC-45P (MOULD NO: WM-116)
⑨	CABLE	1	USB2.0 UL2725 (28AWG*1P+24AWG*2C) +AEB(48B ALMG) L=1000±10MM BLUE OD:4.5mm
⑩	CONN	1set	USB A MALE PIN G/F SHELL NICKEL INSULATION WHITE
⑪	CONN	1	MICRO USB 5P B MALE PIN G/F SHELL NICKEL INSULATION BLACK

CnC Tech, LLC Industrial Cable and Connector Technology			
DRAWN BY	LYNDON	DRAWING NO	VG/LJQ-094-098-B
CHECKED BY		CUSTOMER	
APPROVAL BY		ITEM NO.	102-1492-BL-F0100
DECIDED BY		DATE	2017.02.24
VERSIONS/EDITEON	A/0	PROJECTION	